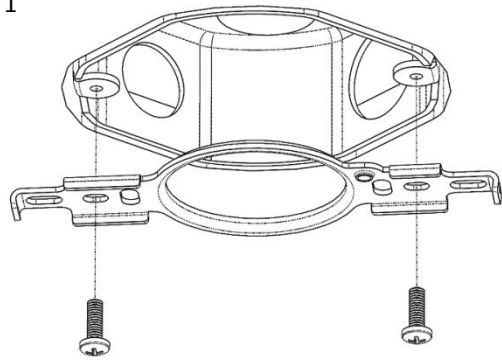
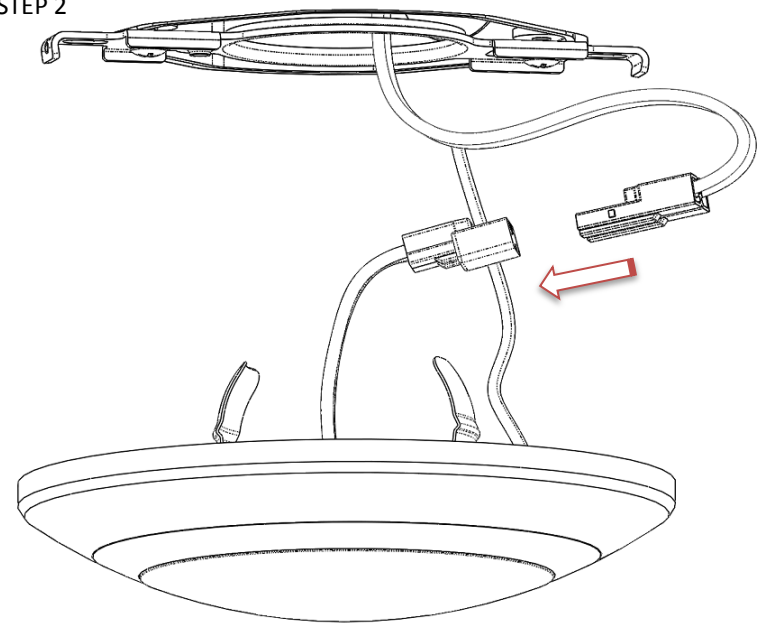


INSTALL FIXTURE TO J-BOX

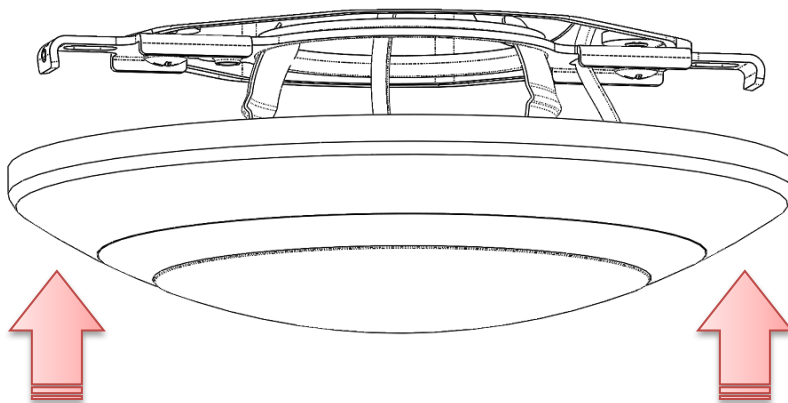
STEP 1



STEP 2

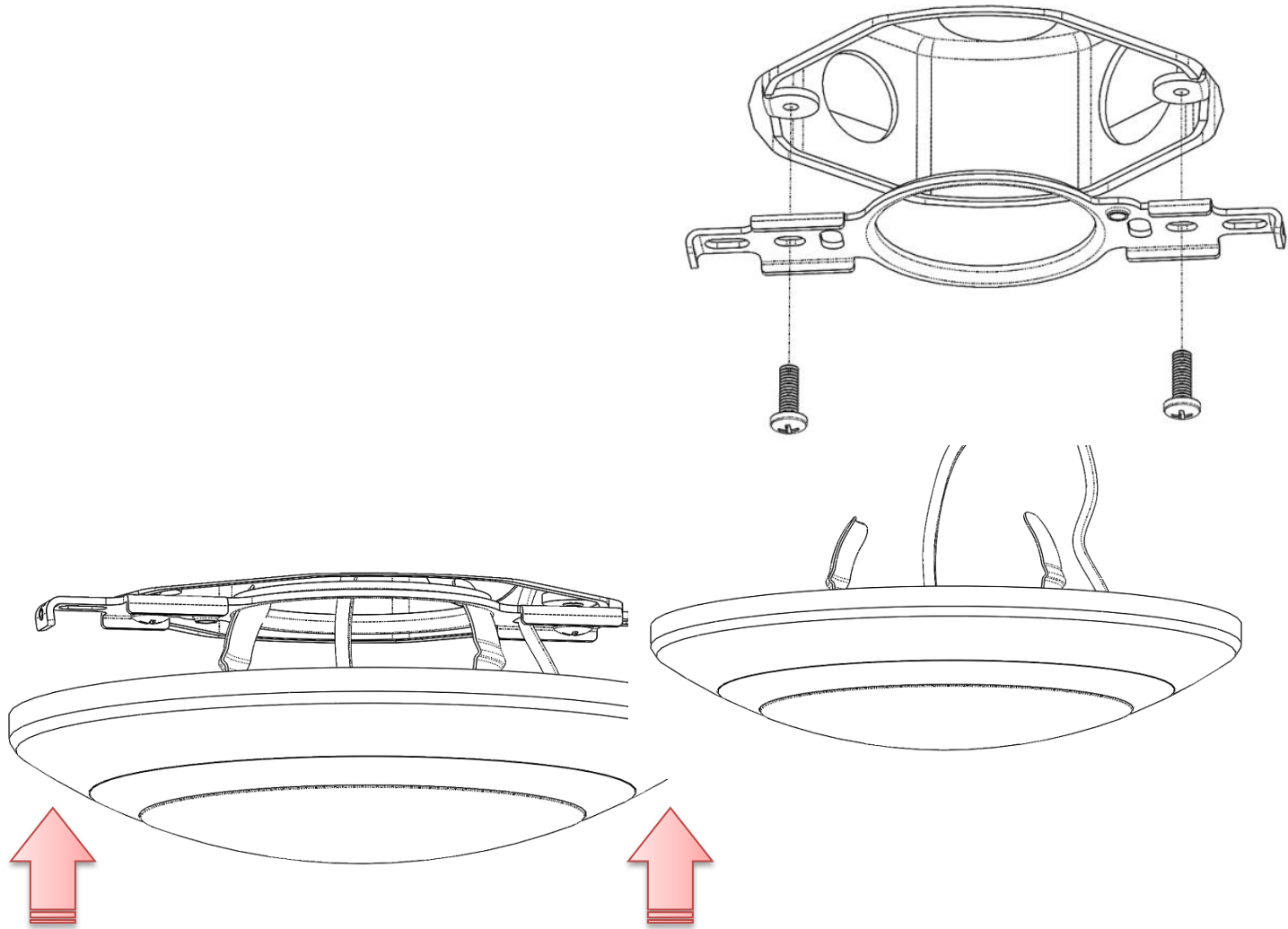


STEP 3



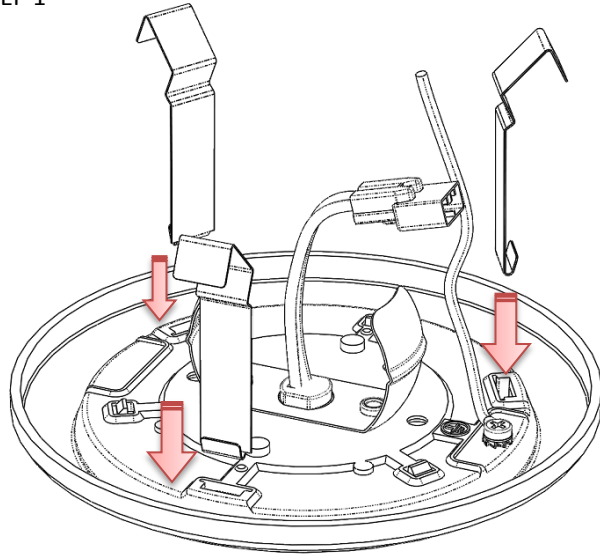
INSTALL FIXTURE TO J-BOX

STEP 2

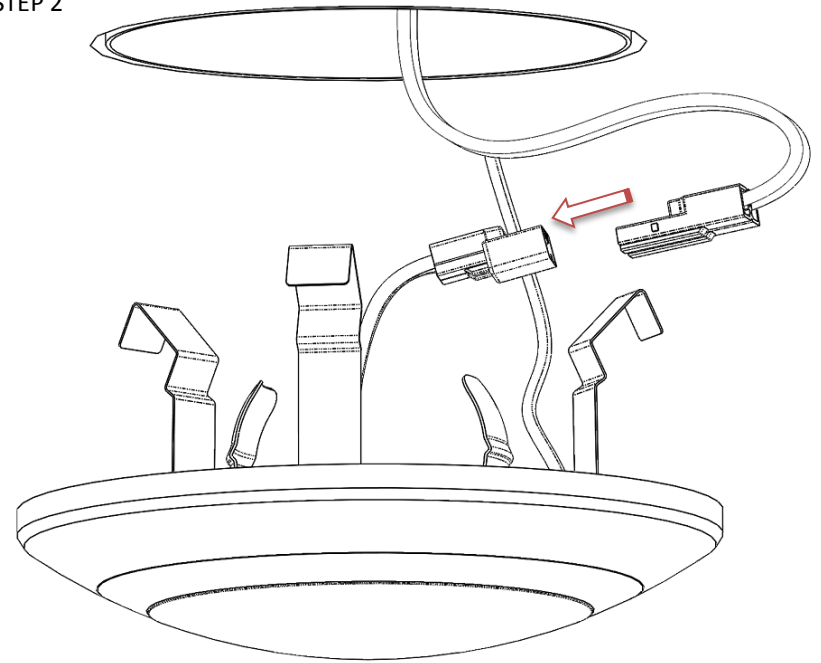


INSTALL FIXTURE TO 4" RECESSED CAN

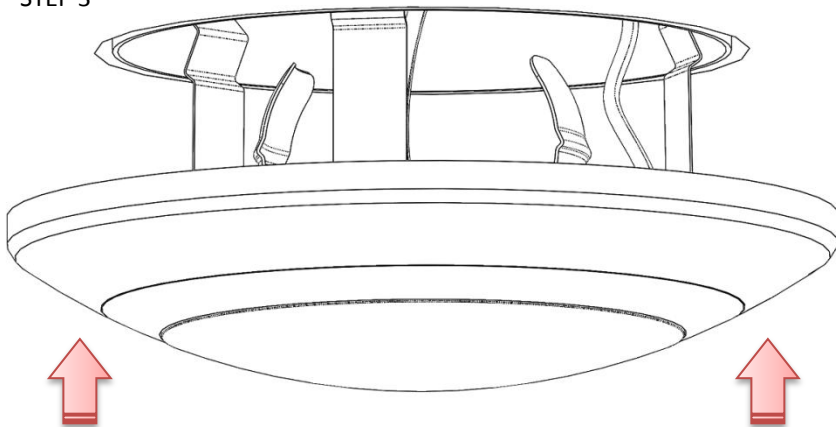
STEP 1



STEP 2

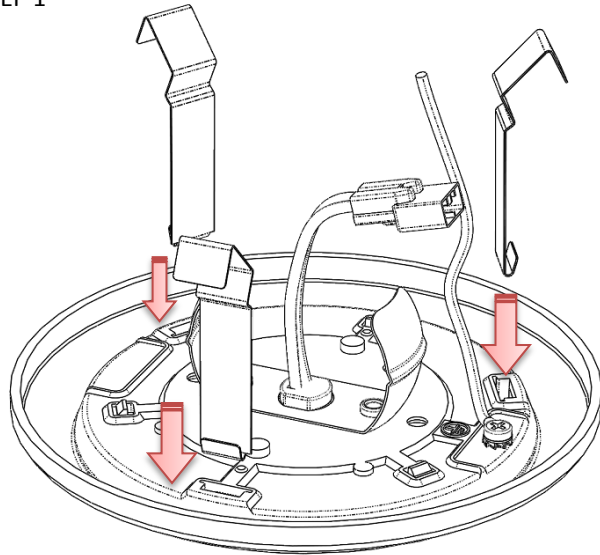


STEP 3

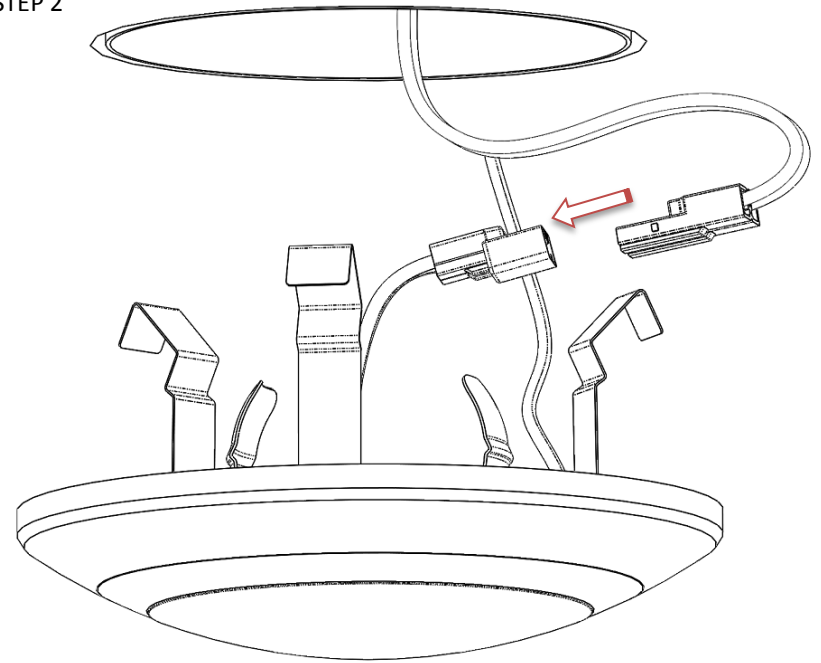


INSTALL FIXTURE TO 4" RECESSED CAN

STEP 1



STEP 2



STEP 3

