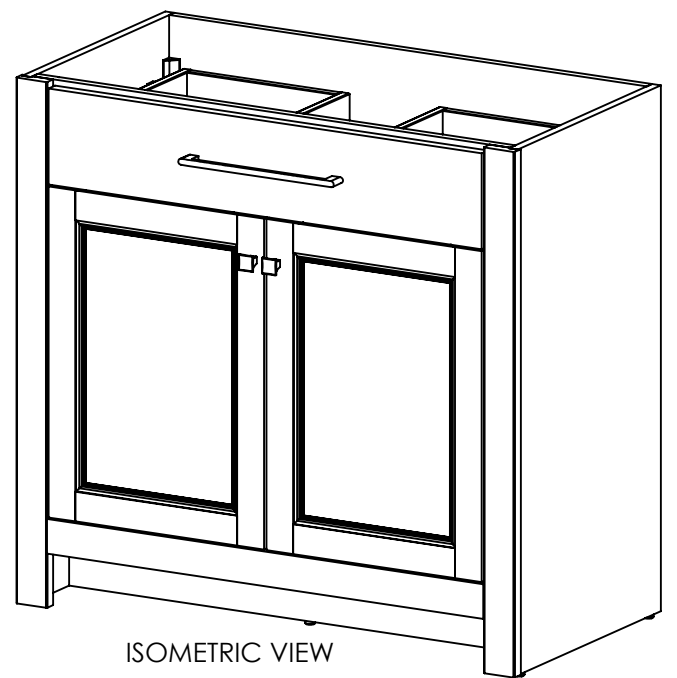
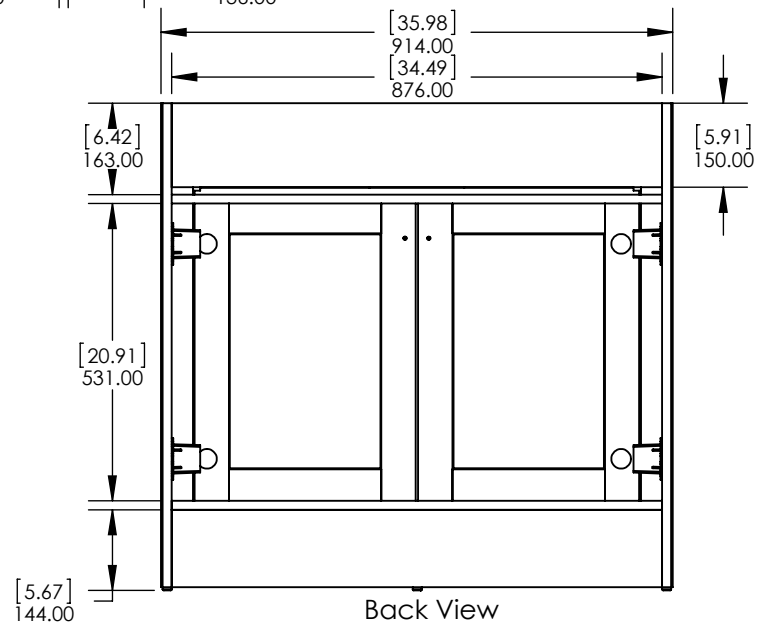
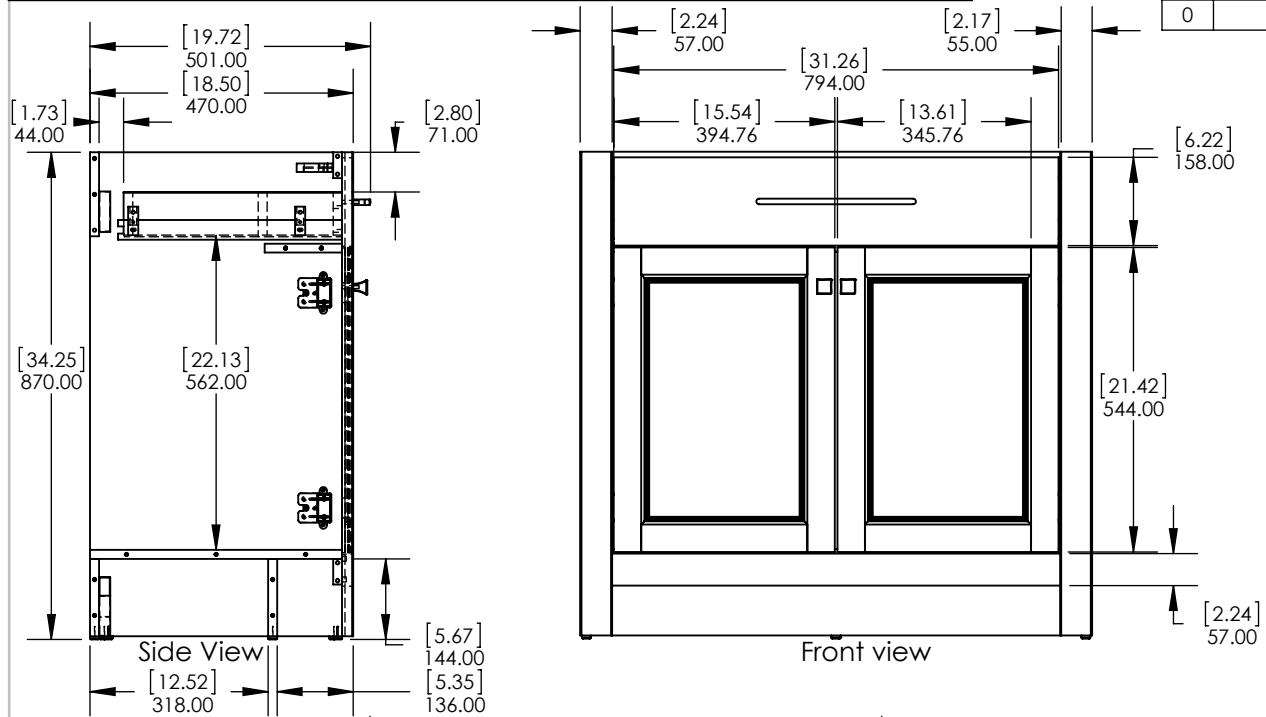


ITEM ID	DESCRIPTION
S1936P3-BU	Concept 20, Blue Vanity 30in

REV	ECO#	DESCRIPTION	REV'D BY DATE	CHK'D BY DATE	APRV'D BY DATE
0		RELEASE	AGS 12/17/18	AGS 12/17/18	AGS 12/17/18

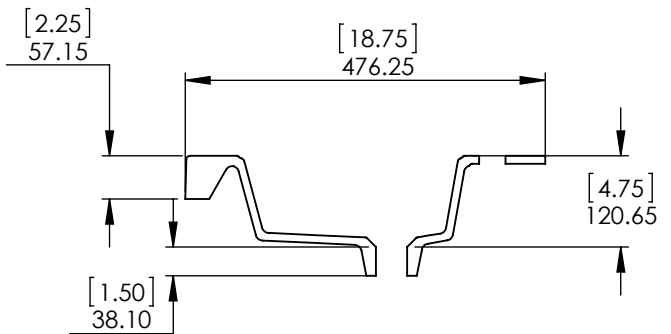
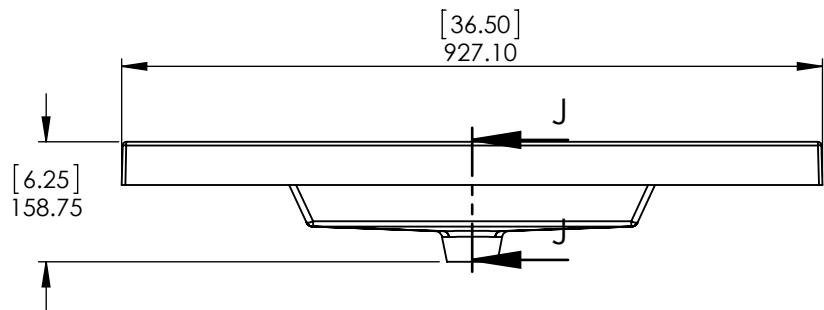
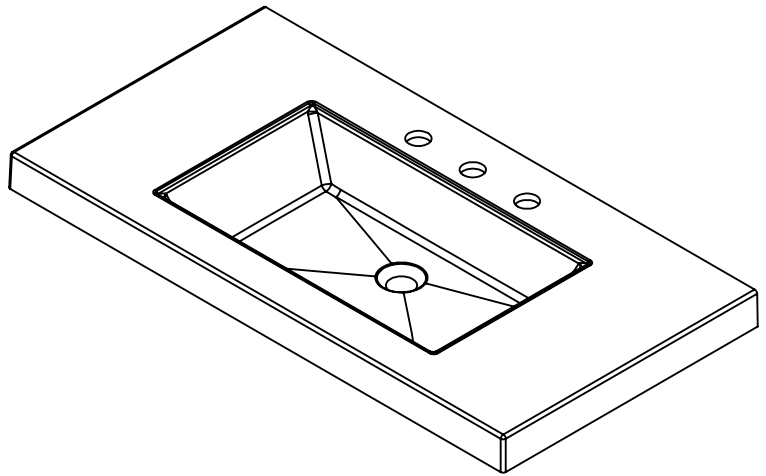
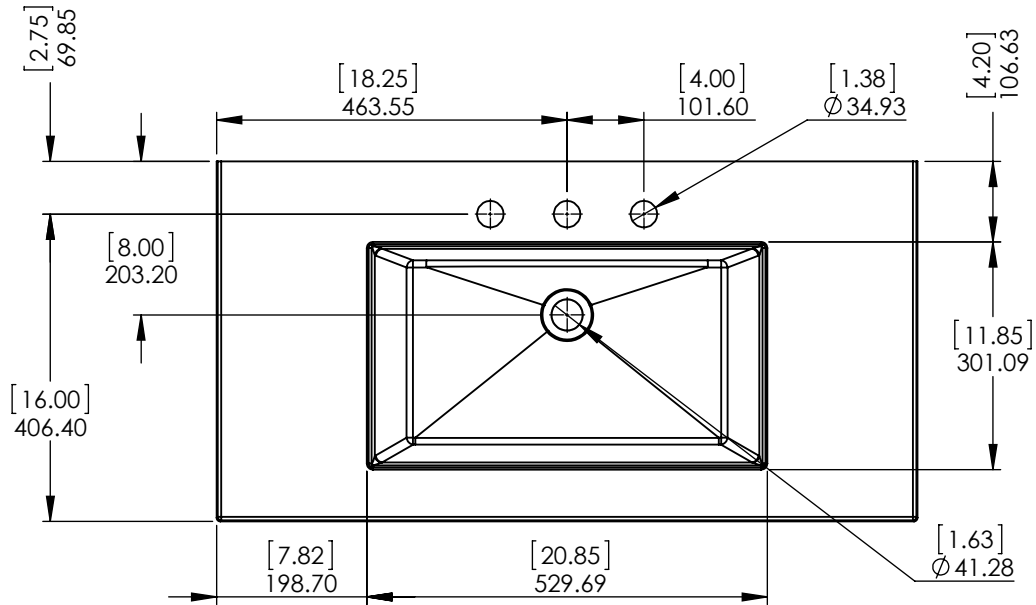


PROPRIETARY AND CONFIDENTIAL THE INFORMATION CONTAINED IN THIS DRAWING IS THE SOLE PROPERTY OF WOODCRAFTERS HOME PRODUCTS L.L.C. ANY REPRODUCTION IN PART OR AS A WHOLE, WITHOUT THE WRITTEN PERMISSION OF WOODCRAFTERS HOME PRODUCTS L.L.C. IS PROHIBITED.	Tolerancia no epsecificada		Drawn By: Adolfo Gallegos	12/17/18	TITLE: S1936P3-BU PART NO:	
	Lineal ±0.5mm	Angular ±0.5°	Drawn By: Adolfo Gallegos	12/17/18		
			Drawn By: Adolfo Gallegos	12/17/18		
					PAGE 1 OF 1	REV: 0



ID	Description	Technology	Status
595428	Vtop Oslo 36.5x18.75 White 8in	Solid White	Approved for production

Rev #	Approved by	Change
0	R. Rubio	Released



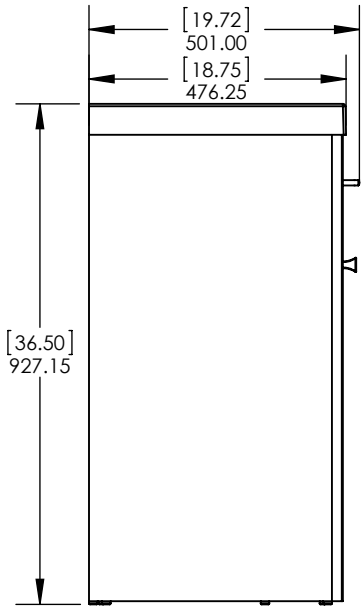
NOTE: MAX. WARPAGE
TOLERANCE 1/8"

PROPRIETARY AND CONFIDENTIAL		UNLESS OTHERWISE SPECIFIED		DRAWN		NAME		DATE	
THE INFORMATION CONTAINED IN THIS DRAWING IS THE SOLE PROPERTY OF WOODCRAFTERS. ANY REPRODUCTION IN PART OR AS A WHOLE WITHOUT THE WRITTEN PERMISSION OF WOODCRAFTERS IS PROHIBITED.		DIMENSIONS ARE IN MM. AND (INCHES)		R. Rubio		R. Rubio		6/15/17	
		TOLERANCES ARE + 0.125 [3.175] - 0.125 [-3.175]		CHECKED		R. Rubio		6/15/17	
		SCALE:1:10		ENG APPR.		R. Rubio		6/15/17	
				MFG APPR.		C. Leal		6/15/17	
						SIZE		DWG. NO.	
						A		Vtop Oslo 36.5x18.75 White 8in	
									SHEET 1 OF 1 REV: 0

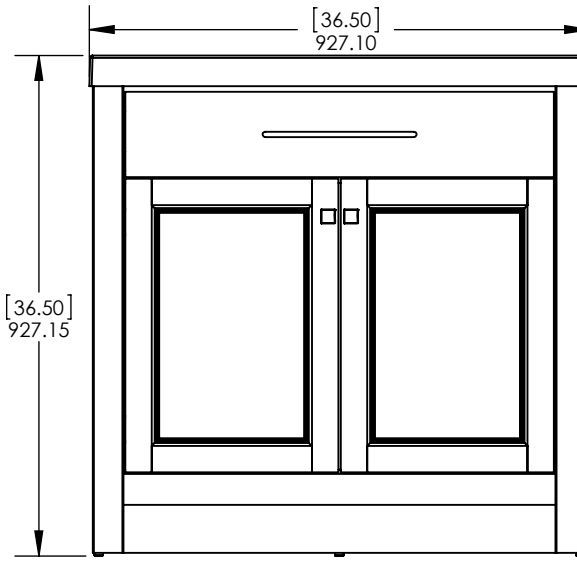


ITEM ID	DESCRIPTION
S1936P3-BU	Concept 20, Blue Vanity 30in

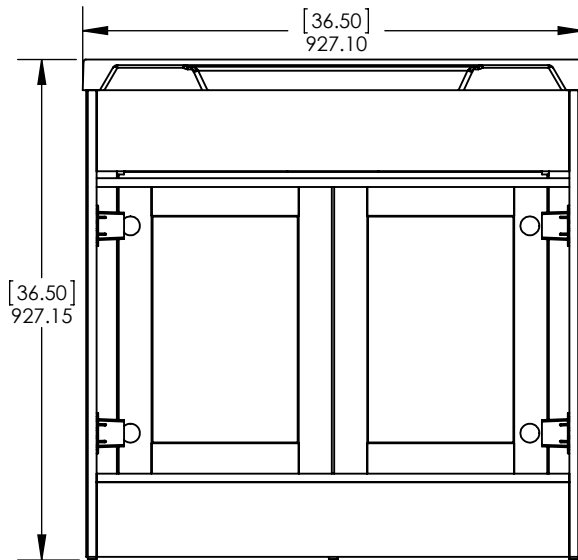
REV	ECO#	DESCRIPTION	REV'D BY DATE	CHK'D BY DATE	APRV'D BY DATE
0		RELEASE	AGS 12/17/18	AGS 12/17/18	AGS 12/17/18



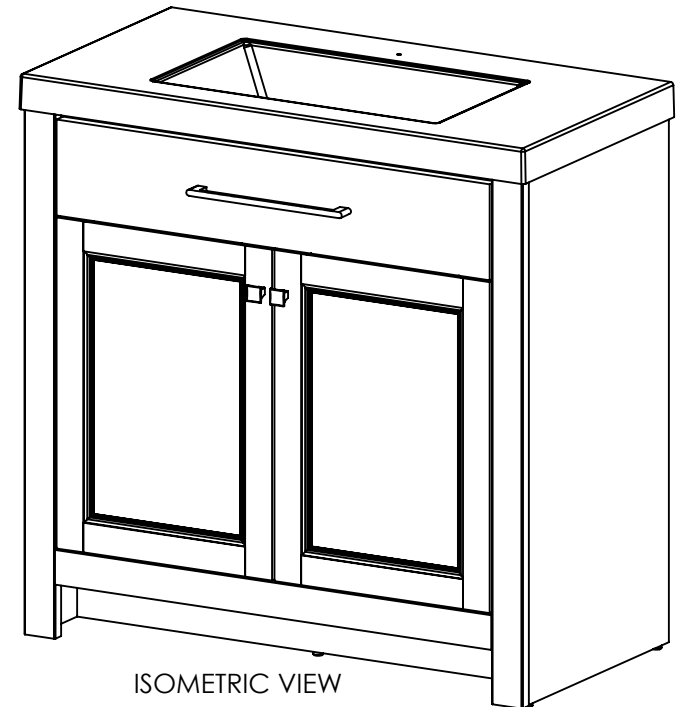
Side View



Front view



Back View



ISOMETRIC VIEW



PROPRIETARY AND CONFIDENTIAL
 THE INFORMATION CONTAINED IN THIS DRAWING IS THE SOLE PROPERTY OF WOODCRAFTERS HOME PRODUCTS L.L.C. ANY REPRODUCTION IN PART OR AS A WHOLE, WITHOUT THE WRITTEN PERMISSION OF WOODCRAFTERS HOME PRODUCTS L.L.C. IS PROHIBITED.

Tolerancia no epsecificada

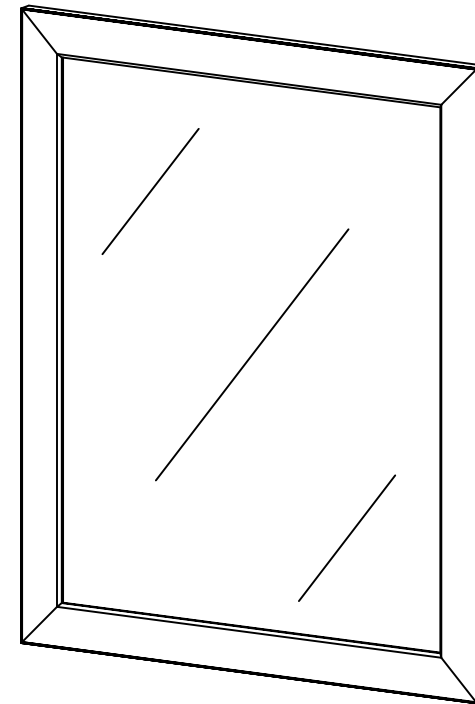
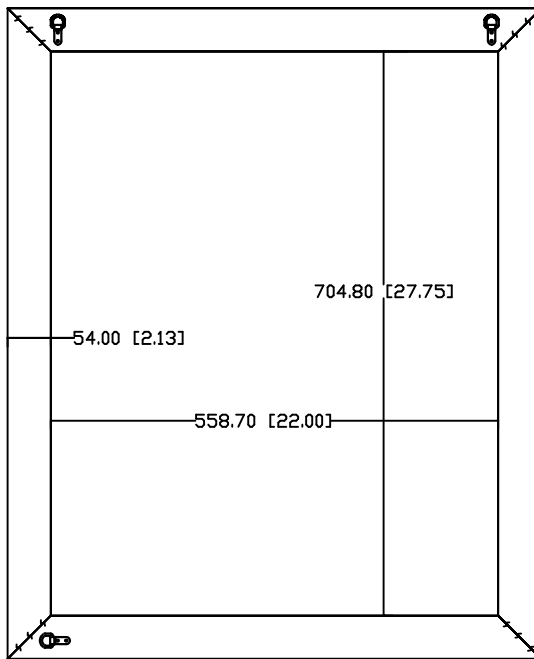
Lineal
±0.5mm

Angular
±0.5°

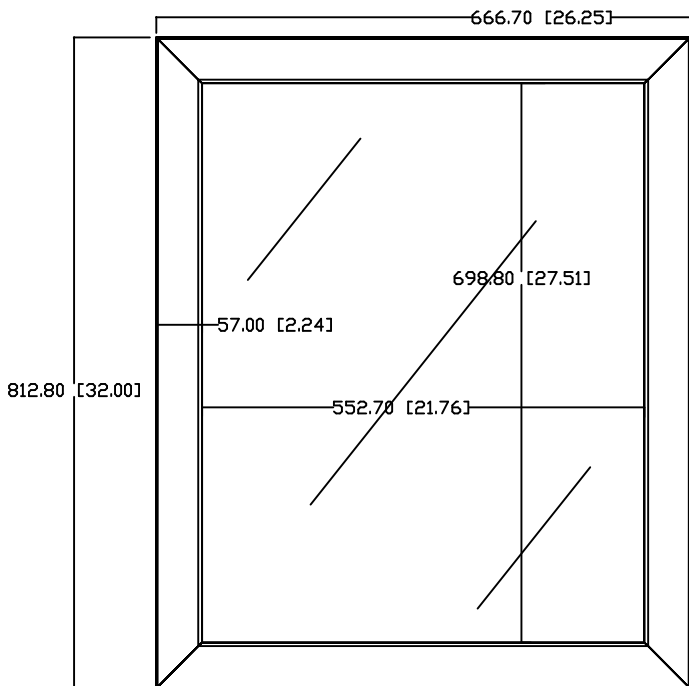
Drawn By:	Adolfo Gallegos	12/17/18
Drawn By:	Adolfo Gallegos	12/17/18
Drawn By:	Adolfo Gallegos	12/17/18

TITLE:	S1936P3-BU		
PART NO:	PAGE	1 OF 1	REV: 0

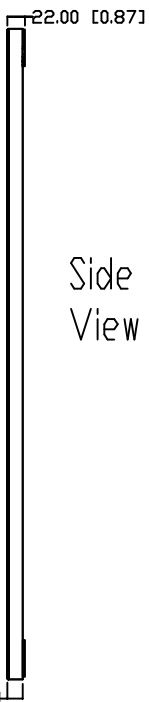
Back View



Isometric View



Front View



Side View



UNLESS OTHERWISE SPECIFIED DIMENSIONS ARE IN mm AND [inches] 1mm [.04]	Name:	Date:	TITLE: 294575 Blue Molding Wall Mirror Rev 0
	Drawn: C.R.H	12/17/18	
	Checked: J.S.	12/17/18	
Approved: A.H.	12/17/18	Form: VH-FEN004	PAGE 1 OF 1