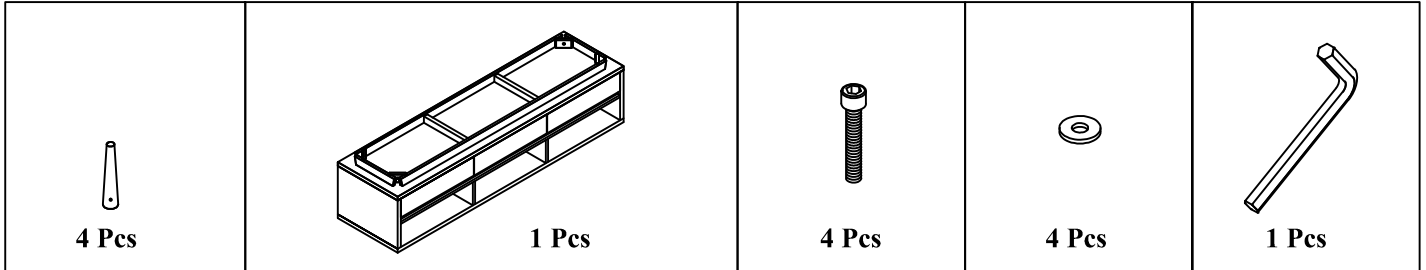


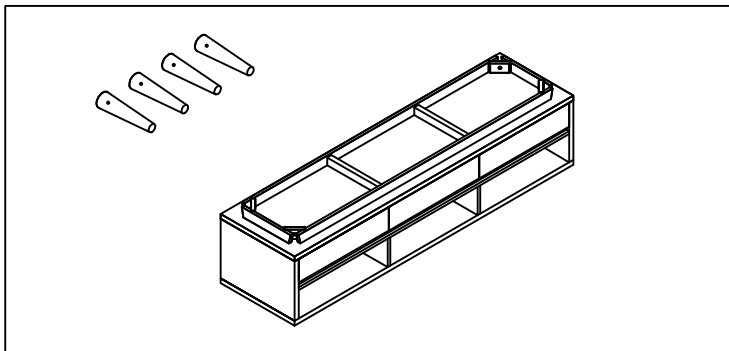
# HOME DECORATORS COLLECTION

## ASSEMBLY INSTRUCTIONS FOR SKU NO. 1002955009 CONRAD TV STAND



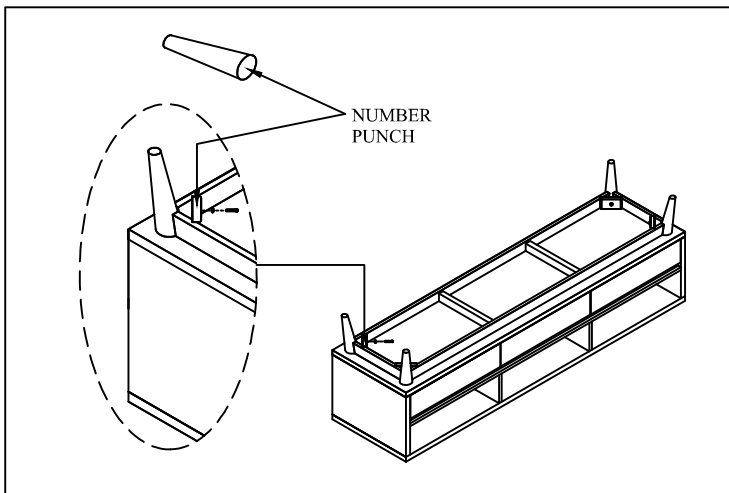
### CARE INSTRUCTIONS

Hardware may loosen overtime. Periodically check that all connections are tight. Wipe with a soft, dry cloth. To protect finish, avoid the use of chemicals and household cleaners. All hot serving dishes should be placed on a pad. Any liquid spilled onto the furniture should be cleaned up immediately with a damp cloth.



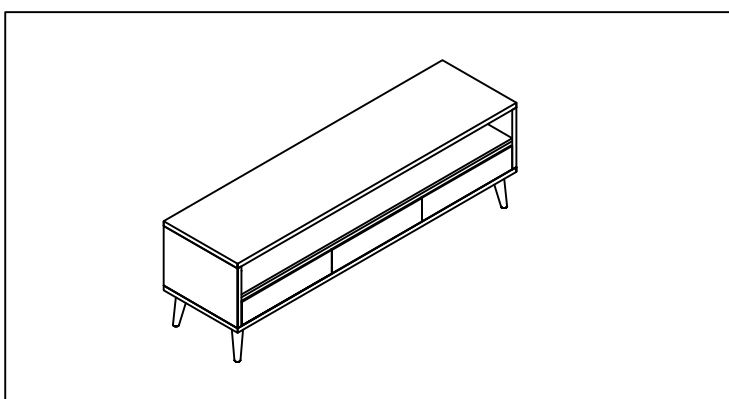
Step 1 : Turn tv stand upside down on a clean surface.

Step 2 : Take out the allen bolts, washers and allen key from the hardware packet as provided.



Step 3 : Match the number punch given on leg and corner block. Place the leg as shown, insert the allen bolt with washer and tighten with allen key provided.

Step 4 : Repeat step -03 for all remaining legs of table.



Step 5 : Reverse the tv stand it is ready for use.