



AFFINITY™ RESIDENTIAL PLASTIC TOILET SEAT

MODEL #

COLOR #

1200E3

DESCRIPTION:

Closed front with cover, elongated, injection molded solid plastic toilet seat. Features two large, Super Grip Bumpers™, color-matched Whisper•Close® with Easy•Clean & Change® Precision Seat Fit™ Adjustable hinges and STA-TITE® Seat Fastening System™. Hinges adjust up to 1/2" forwards and backwards. This seat complies with IAPMO/ANSI Z124.5-2013 Plastic Toilet Seats as a class Residential.

SPECIFICATIONS:

Size:	Elongated
Material:	Plastic
Style:	Closed Front with Cover
Bumpers:	Two
Hinges:	Plastic Whisper•Close® with Easy•Clean & Change® Precision Seat Fit™
Fastening System:	STA-TITE® Seat Fastening System™

FEATURES:

Precision Seat Fit™ Adjustable Hinges

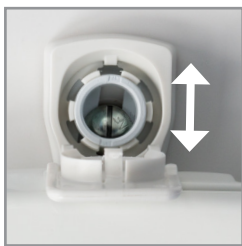
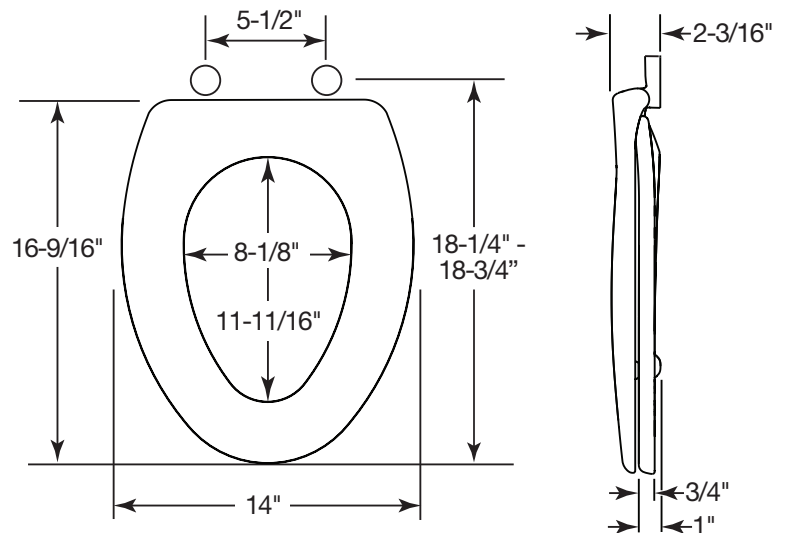
Whisper•Close®

Easy•Clean & Change®

STA-TITE® Seat Fastening System™

Super Grip Bumpers™

DIMENSIONS:



PRECISION SEAT FIT™
1/2" ADJUSTABLE HINGES



WHISPER•CLOSE®
FEATURE



EASY REMOVAL OF SEAT
FOR THOROUGH CLEANING



STA-TITE® SEAT
FASTENING SYSTEM™



SUPER GRIP BUMPERS™

Proudly Made in the USA

Bemis Manufacturing Co., Sheboygan Falls, WI 53085
www.BemisSeats.com

Phone: 800-558-7651 Fax: 800-292-3647