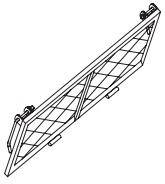


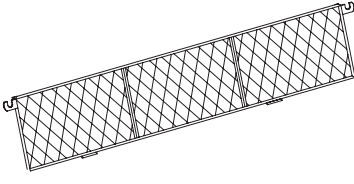


Utility Cart Assembly Instructions

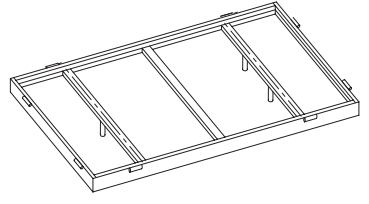
Parts Included:



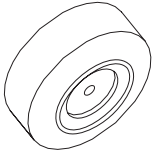
Front and
Back Panels



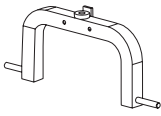
Side Panels
(2)



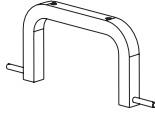
Cart Bed
(1)



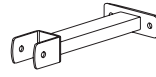
Wheels
(4)



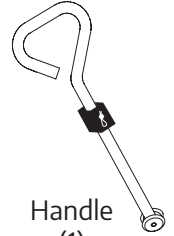
Front Wheel
Bracket (1)



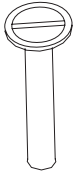
Back Wheel
Bracket (1)



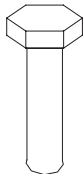
Tow Bracket
(1)



Handle
(1)



Slot Head
Bolt M8x60
(1)



Hex Head
Bolt M8x50
(2)



Large Cotter
Pin (8)



Cotter
Pin (4)



Lock Nuts
M8 (3)
M14 (3)



Flat Washers
M8 (3)
M14 (3)
M16 (4)



Tools Needed:

Crescent Wrench (2)
Slotted Screw Driver
Gloves and Eye-wear



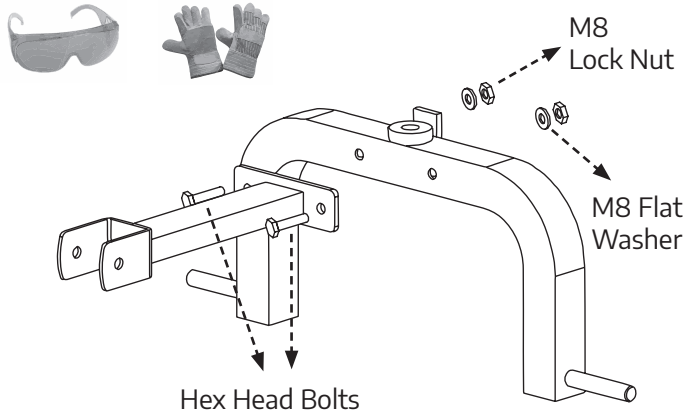
Not for highway use.
Max. Inflation Pressure 30psi.
Use manual pump only.
Do not use air compressor.



1

Step One:

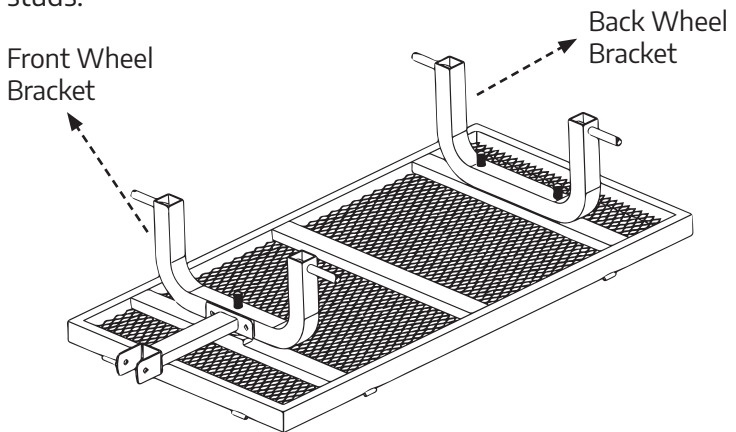
Put on your gloves and protective eye-wear. Attach Tow Bracket to Front Wheel Bracket using two (2) Hex Head Bolts, two (2) M8 Flat Washers and two (2) M8 Lock Nuts.



2

Step Two:

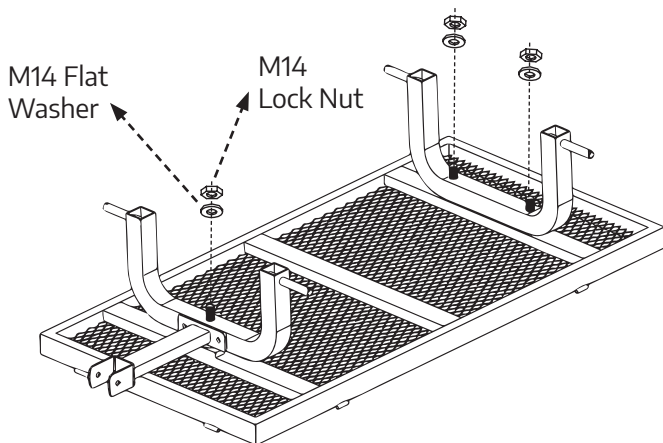
Place Cart Bed upside down on a flat surface and place Front Wheel Bracket and Back Wheel Bracket on corresponding studs.



3

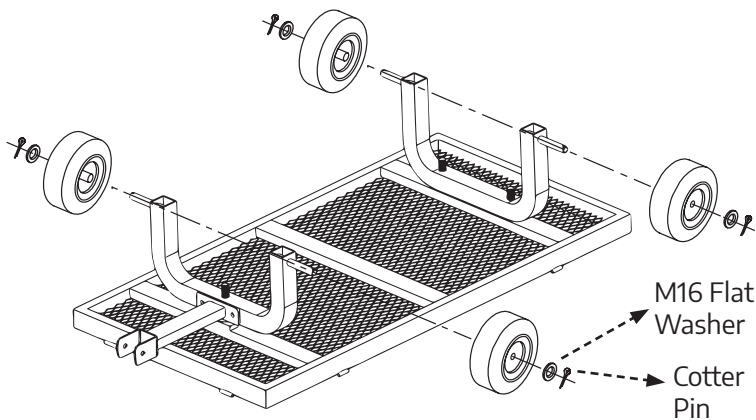
Step Three:

Use three (3) M14 Flat Washers and three (3) M14 Lock Nuts to secure Cart Bed to Front and Back Wheel Brackets.

**4**

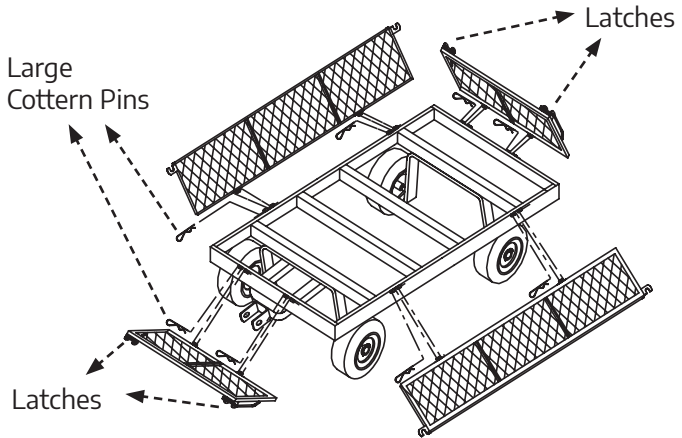
Step Four:

Slide all four (4) Wheels onto Front and Back Wheel Bracket axles with offset hub facing in towards cart and valve stem facing out. Secure Wheels with one (1) M16 Flat Washer and one (1) Cotter Pin per tire.

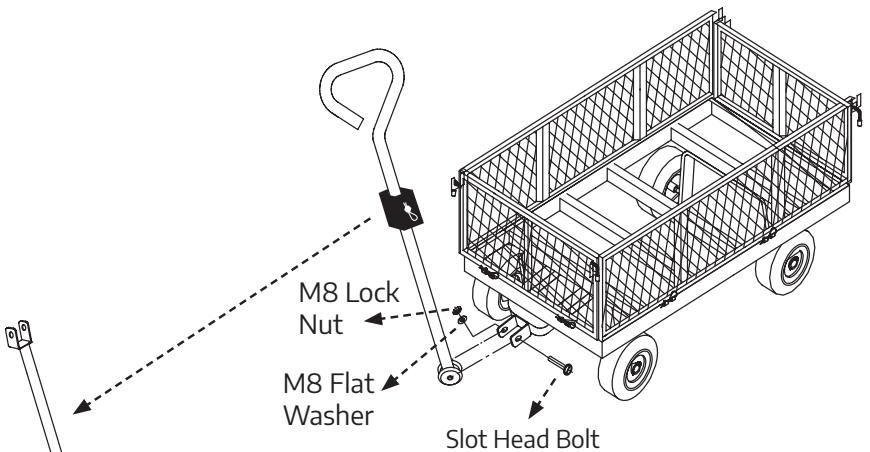
**3**

5**Step Five:**

Flip Cart onto wheels. Attach Panels to Cart Bed using two (2) Large Cotter Pins per panel. To lock panels in the upright position, use latches on Front and Back panels to connect to Side Panels.

**6****Step Six:**

Connect Handle to Tow Bracket and secure using one (1) Slot Head Bolt, one (1) M8 Flat Washer and one (1) M8 Lock Nut. Enjoy your Utility Cart!

**4**

Note: Pull cotter pin and hitch pin from handle junction box to remove handle and expose trailer hitch assembly.



WARNINGS

- Do not exceed maximum overall load capacity of 700 lbs.
- Cart should not be used for transporting passengers.
- Cart should not be used at speeds over 6 MPH.
- Cart and tires are not designed for highway service. Do not tow this cart behind an automobile or high speed vehicle.
- Movable sidewalls and front turning assembly can create pinch points. Move with caution and wear gloves to avoid injury.
- Air pressure in tires should be maintained per tire specs listed on tires. Max 30 PSI. Use Manual Pump only.
- Do not use on uneven surfaces and hills. Losing control of cart on hill could cause serious injury or death.
- Follow assembly instructions and ensure all parts are tightly fastened.
- This product contains a chemical known to the state of California to cause cancer.



Toll Free
877-425-1640
253-893-7014

Email: sales@marathonind.com
Website: www.gardenstarcarts.com

Made in China