



070580
Rev. 05/19

Central Vacuum System OWNER'S MANUAL

IMPORTANT SAFETY INSTRUCTIONS
READ ALL INSTRUCTIONS BEFORE USING THIS APPLIANCE

MESURES DE SÉCURITÉ IMPORTANTES
LIRE TOUTES LES INSTRUCTIONS AVANT D'UTILISER CET APPAREIL

The Central Vacuum Power Unit

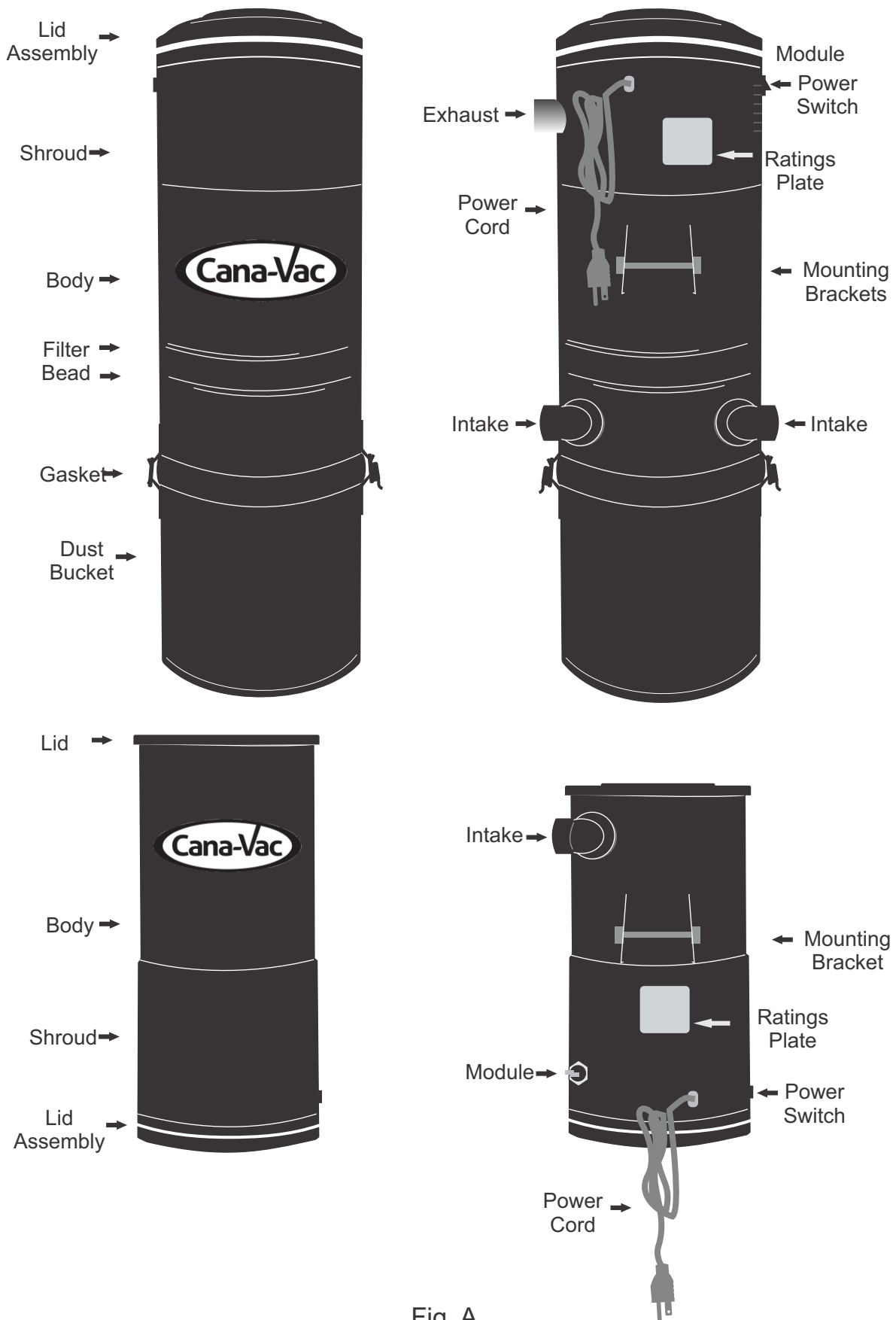


Fig. A

Important Safety Instructions!

When using an electrical appliance, always follow basic precautions, including the following:

READ ALL INSTRUCTIONS BEFORE USING THIS APPLIANCE **For Household Use Only**

Warning:

To reduce the risk of fire, electric shock, or injury:

- Caution: "For Indoor Use Only" or "Risk of Electrical Shock - Dry Location Use Only" or "Risk of Electrical Shock - Do Not Expose to Liquid, Vapor or Rain".
- Do not use on wet surfaces.
- Do not install a wall valve outdoors.
- Connect to a properly grounded outlet only. See "Grounding Instructions."
- Close supervision is necessary when any appliance is used by or near children.
- Do not allow cleaning system to be used as a toy or to run unattended at any time.
- Do not allow any objects to be put into wall inlets.
- Do not pick up anything that is burning or smoking, such as cigarettes, matches, or hot ashes.
- Do not use to pick up flammable or combustible liquids such as gasoline or fine wood sandings or use in areas where they may be present.
- Do not use without dust bag and/or filters in place.
- Use extra care when cleaning stairs.
- Do not put any objects into openings. Do not use with any openings blocked: keep free of dust, lint, hair, and anything that may reduce air flow.
- Always disconnect cord from electrical outlet before servicing the power unit.
- Do not unplug by pulling on cord. To unplug, grasp the plug, not the cord.
- Never handle plug or appliance with wet hands.
- Turn off all controls before unplugging.
- Do not use with damaged cord or plug. If appliance is not working as it should, has been dropped, damaged, left outdoors, or dropped into water, take it to a Central Vac Factory Service Center or Authorized Central Vac Warranty Service Dealer (Depot).
- Use vacuum cleaner only for its intended use as described in this owner's manual.

When using accessory kits, note these additional Safeguards:

- Do not use powered nozzle outdoors.
- Keep hair, loose clothing, fingers, feet and all parts of body away from openings, rotating agitator and any other moving parts. Do not operate nozzle in bare feet or when wearing open toe shoes or sandals.
- Disconnect hose from wall inlet and cord from electrical outlet when not in use and before servicing motorized nozzle.
- The hose contains electrical wires. Do not use if damaged, cut, or punctured.
- Avoid picking up sharp objects.
- Always disconnect cord from electrical outlet before connecting or disconnecting hose or motorized nozzle.

Save these instructions!

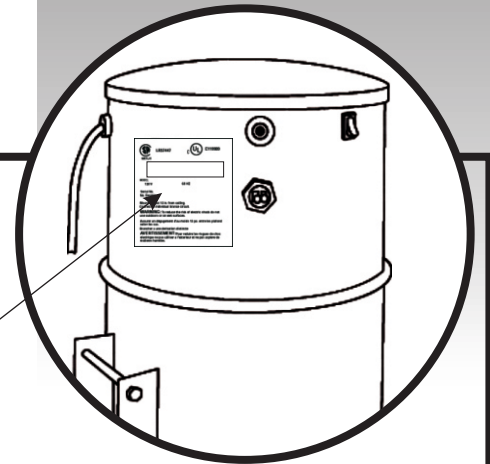
Fill in and retain

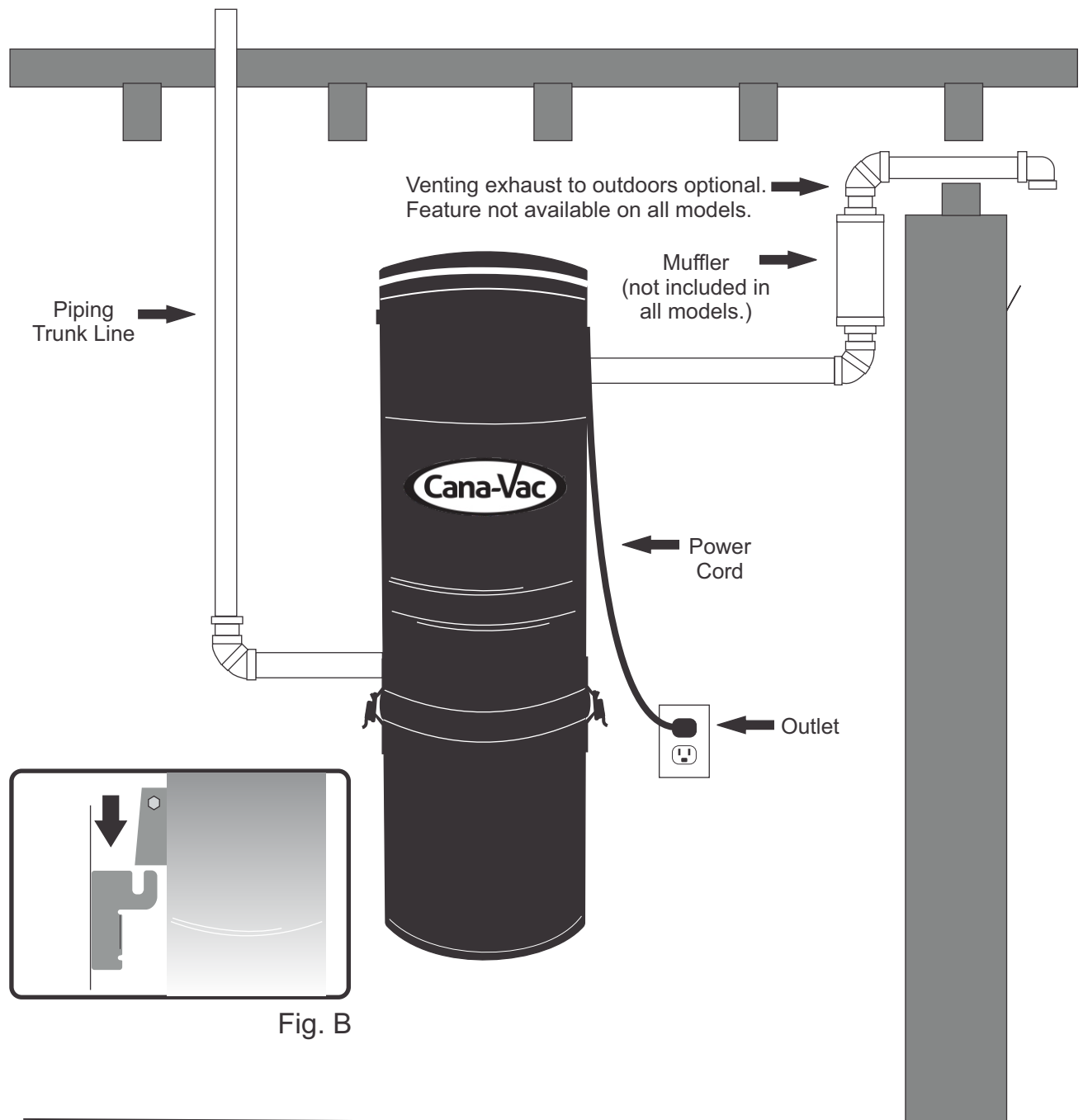
The Cana-Vac Central Vacuum System Power unit will be permanently mounted. For your records, please enter model and serial numbers in the spaces provided below and retain in a safe place.

Power Unit Model No. _____ Serial No. _____

(See side of power unit)

Attach your sales receipt to this owner's manual. **Verification of purchase date is required for warranty service.**





Installation of the Power Unit:

Install the mounting bracket taking care to ensure it is level and secure. It is important to note that a poorly installed bracket could lead to problems including the unit coming loose when emptying the dirt bucket. **See PAGE 7 “Mounting the power canister” for details.**

Mount the unit on the wall bracket so that the bar on the back of the vacuum unit slides to the bottom of the slots on the wall mount. The tabs protruding from the back of the unit will rest against the bracket.
Fig. B.

1. Assembly

Operate cleaning system only at voltage specified on power unit.

This system is intended for household use.

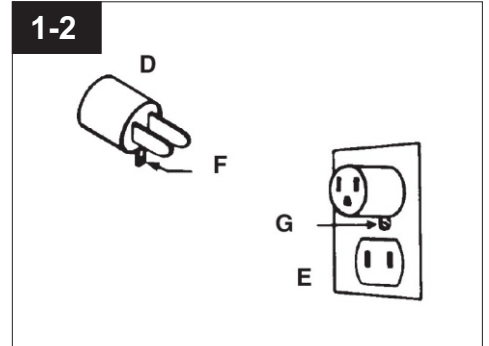
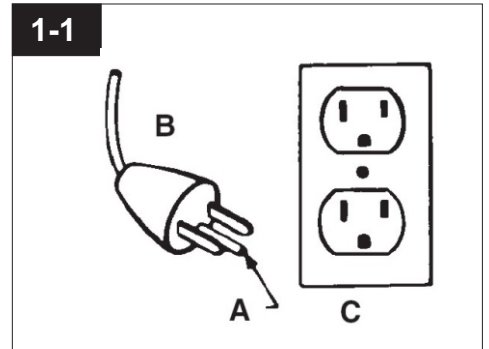
Grounding Instructions

This appliance **must be grounded**. If it should malfunction or breakdown, grounding provides a path of least resistance for electrical current to reduce the risk of electric shock. This appliance is equipped with a cord having an equipment-grounding conductor (A) and grounding plug (B). The plug must be plugged into an appropriate outlet (C) that is properly installed and grounded in accordance with all local codes and ordinances.

DANGER-

Improper connection of the equipment grounding conductor can result in the risk of electric shock. Check with a qualified electrician or service person if you are in doubt as to whether the outlet is properly grounded. **Do not modify the plug provided** with the appliance - if it will not fit the outlet, have a proper outlet installed by a qualified electrician. This appliance is for use on a nominal 120 volt circuit and has a grounding plug that looks like the plug illustrated in Fig. 1.1.

A **Temporary** adapter (D) may be used to connect this plug to a 2-pole receptacle (E) if a properly grounded outlet is not available. The **Temporary** adapter should be used only until a properly grounded outlet (C) can be installed by a qualified electrician. The green colored rigid ear (F), lug, or the like extending from the adapter must be connected to a permanent ground such as a properly grounded outlet box cover. Whenever the adapter is used, it must be held in place by a metal screw (G).



NOTE: In Canada, the use of a temporary adapter is **Not Permitted** by the Canadian Electrical Code.

Intake Configuration:

This unit has been designed to provide the option of left or right side intake. A pipe cap is included for the purpose of sealing off the unused inlet. (Condominium units are an exception with only a left side intake option.)

Route vacuum system piping to the chosen intake port, **do not glue**. Should the unit require being taken in for servicing, you will not want it permanently fastened to your tubing system. Use the provided 2" gear clamps to attach.

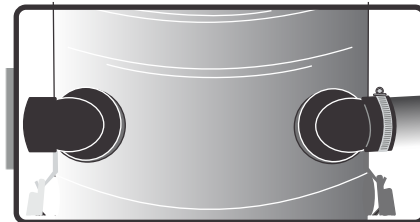


Fig. C

Muffler Installation:

Some models of power units have a PVC exhaust port extending from the motor or shroud. For additional noise reduction a muffler can be installed to this port. (Muffler not included on all models). **Do not glue**, attach with the provided 2" gear clamp. The exhaust can be routed outside as an option. (Follow proper building codes when venting outdoors).

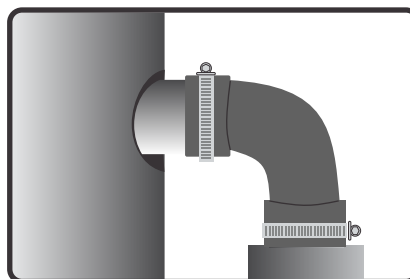


Fig. D

Filter Bag and Adaptor:

For additional filtration and ease of use, this unit can be used with a filter bag. The included adaptor is to be attached to the interior of the operational intake port. It is to be glued into place with PVC cement.

To install the bag, simply unfold and slide opening over the end of the adaptor.



Fig. E

Low Voltage Wires:

Remove the lugs from the low volt receptacle on the side of the unit. **Make sure the unit is unplugged.** Locate the low voltage wires that come from the wall inlet valves. Strip the insulation from the ends of the wires and insert into the lugs. Crimp the lugs ensuring a firm grip to the wire and re-install to the side of the unit.

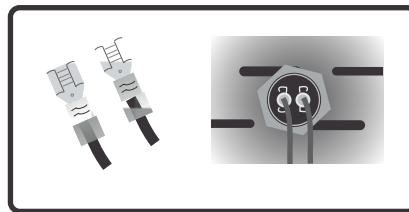


Fig. F

Utility Valve:

Some models may include a kit with a utility valve for installation close to the power unit to allow the attachment of a central vacuum hose. Should the unit be installed in the garage, it also provides a convenient location to attach an optional garage vac hose for cleaning cars and garage areas.

Powering the Unit:

With the consideration of the intake, exhaust, utility valve and low voltage wires all being correctly installed, the unit is now ready to be plugged in. Once plugged in, the LED should illuminate at the low voltage wire receptacle. If it does not, consult your local dealer.

At this point, the over-ride switch should be tested by turning the unit on and off via the power switch on the unit itself. (See illustration page 4) For normal operation, leave this switch in the “off” position when using a remote valve.

2. Installation

Location for power canister

The Power Canister can be mounted in the basement, utility room, garage or any other remote area, except where exposed to weather, and should be conveniently located to an electrical outlet. The unit requires ventilation. DO NOT install in a heat producing or confined area such as the attic, furnace room, etc. If desired, the Power Canister can be exhausted to the outside. The top of the Canister should be no less than 12" (30.5 cm) from the ceiling to allow proper cooling to the motor. For ease of removing the dust container, the bottom of the unit should be at least 6" (16 cm) above the floor. Central Vacuum Power Canisters require a separate/dedicated, 120 Volt, 60Hz., 15 Amp, 3 wire grounded power circuit, protected by a 120 Volt, 60 Hz., AC, 15 Amp time delay fuse or circuit breaker and a 120 Volt, 60 Hz., 15 Amp grounded receptacle. If a 120 volt, 60 Hz., 15 Amp grounded receptacle is not available, have a qualified electrician install one for you. The receptacle should be no more than 5 feet (152 cm) from the Power Canister.

UNDER NO CIRCUMSTANCES SHOULD AN EXTENSION CORD BE USED WITH THIS CANISTER.

Mounting the power canister

1) Determine if the wall you will be mounting the Canister to is block, concrete, or plaster/drywall.

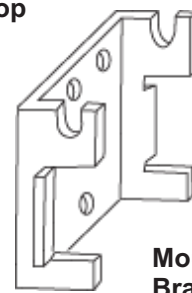
2) Block or Concrete Wall You will need (2) 1-1/2" (3.8 cm) x 1/4" (.64 cm) lead plugs and (2) 1-1/2" (3.8 cm) x 1/4" (.64 cm) lag bolts. Drill a 1/2" (1.3 cm) dia. x 1-3/4" (4.4 cm) deep hole with a masonry drill bit. Insert a lead plug into the hole. Mount the bracket (Fig. 2-1) from a top hole with a lag bolt. Mark the other upper hole of the bracket. Make sure that the bracket is straight. Slide the bracket away from the mark and drill a hole directly over the mark. Insert a lead plug into the hole. Align the bracket over the hole and tightly fasten with a lag bolt. Continue to 4).

3) Drywall or Plaster Wall You will need (2) 1-1/2" (3.8 cm) x 1/4" (.64 cm) wood screws. Locate a stud and drill a 1/8" (.32 cm) dia. x 1-3/4" (4.4 cm) pilot hole. Mount the bracket from a top hole with a wood screw. Make sure that the bracket is straight. Drill a second pilot hole using a lower hole on the bracket and fasten tightly with the other wood screw.

4) Mount the Power Canister on the bracket making sure the bar on the back of the machine is settled to the bottom of the slots on the mounting

2-1

Top



Mounting Bracket

Bracket. The wall mounting bracket must fit between the two brackets on the back of the central vacuum.

5) Route the intake tubing to the Canister.

6) Insert the tubing into the Canister Inlet.

7) Tighten the inlet connection with a 3" (7.6 cm) gear clamp. (Do not cement pipe to plastic inlet port.)

8) Connect tubing to the exhaust (right hand side near top of unit) and vent outside (not necessary if unit is in garage). Tighten the exhaust connection with a gear clamp. (Do not cement pipe to plastic exhaust Port.)

9) Connect the 24 Volt wires coming from the wall valves into the 24 Volt receptacle on the machine.

10) Plug the power cord in.

11) Assuming that the wall inlet valves are connected, the system is now Ready.

3. How To Use

Types of wall valves Fig 3-1:

Quick Connect (A) - Cordless Hose Standard (B) - Corded Hose (Plug into power outlet when using power brush)

The switch on the hose handle (if included) may control one or more functions depending on the model. A single position switch has power canister control, OR power brush control. If the latter, then inserting this type of hose into the wall valve will automatically turn on the canister unit. A dual position switch has control over the power canister and the power brush.

The Power Canister can also be turned ON and OFF with the switch found on the upper section of the motor module located on the central vacuum unit.

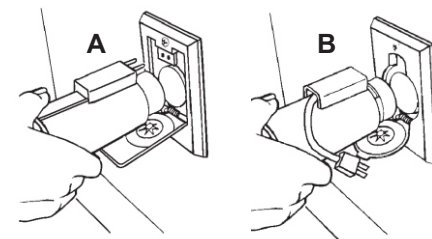
Check the System

Check each connection for proper seal and that no air leaks occur. If one is present, you may hear a "hissing" sound. Correct if present.

Check each inlet valve for air leaks. Start the system by plugging the hose into each valve to make sure it functions Properly.

Your Central Vacuum Cleaning System is now ready for your use.

3-1



4. Maintenance

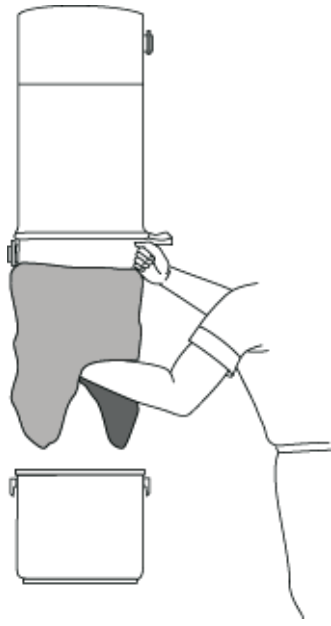
The only maintenance your Power Canister requires is emptying the dust container as required and periodically cleaning the filter.

To clean the filter:

While the filter in your Central Vac system should not require any maintenance, if you notice that the filter has "dirt cake" on the filter surface and wish to clean it, do so by following these easy directions:

- 1) Remove the dirt container by unclasping the latches on each side of the dirt container (or twisting the dirt container if the unit is plastic).
- 2) Wrap a plastic garbage bag securely around the base of the unit so that no dust will escape when shaking the filter inside the garbage bag.
- 3) Using the plastic bag as hand protection from dirt particles, shake the filter to cause any particles adhering to the filter to fall into the bag. (Fig. 4-1)
- 4) Reposition the dirt container and fasten latches (or align and twist to secure dirt canister if unit is plastic).

4-1



If you have a problem

If a minor problem develops, it usually can be remedied quite easily when the cause is found by using the check list Below.

Problem: Cleaner Won't Run

Possible cause
Possible solution

- **Hose Not firmly plugged in**
 - Plug in firmly
- **No voltage in wall plug**
 - Check fuse or breaker
- **Blown fuse/tripped breaker**
 - Replace fuse/reset breaker
- **Low voltage circuit incorrectly installed**
 - Short low voltage terminals at power unit, if unit starts, there is a problem with the low volt circuit.
- **Defective wall valve**
 - Insert the hose into another inlet valve. If unit turns on, the inlet valve may be defective. Replace inlet valve.
- **Problem with low voltage circuit**
 - Turn on central vacuum with ON/OFF switch located on the unit. If the unit starts, the problem is in the wiring to the inlet valve, the 24 Volt transformer or the relay. Contact your local Central Vac Factory Service Center.

Problem: Suction Low

Possible cause
Possible solution

- **Dirt Canister Full or Filter dirty**
 - Empty Canister or Clean filter
- **Obstruction in hose, piping or cleaning tools**
 - Determine if the blockage is in the hose or piping by inserting hose in an inlet valve. Check to see if there is any suction at another inlet valve by opening the cover. If there is, plug the hose into the second wall valve and feel the end of the hose to see if there is regular suction. If the blockage is in the hose, insert a long blunt item, such as a broom handle, to clear the blockage. If the blockage is in the pipe, insert hose into wall valve and place hand over end of hose to cut off air flow. Place your hand on and off the end of hose rapidly several times. If this does not clear the blockage, reverse vacuum by using a utility shop vacuum at the blocked valve to vacuum blockage out. If this does not work contact your local Central Vac Service Center. Check tools, wands, etc. For blockages.
- **System tubing and/or wall valves incorrectly installed**
 - Check to make sure all inlet valves are properly closed.
- **Dirt container full or mis-positioned**
 - Check to see if the dirt container needs to be emptied. Check to see if the dirt bucket is properly positioned and securely twisted on plastic unit, and latches are snapped on metal unit.

Warning:

USE ONLY APPROVED HOSES AND ATTACHMENTS WITH THIS UNIT.



Système d'aspirateur central
Manuel d'utilisateur

MESURES DE SÉCURITÉ IMPORTANTES
LIRE TOUTES LES INSTRUCTIONS AVANT D'UTILISER CET APPAREIL

Unité motrice du système d'aspiration central

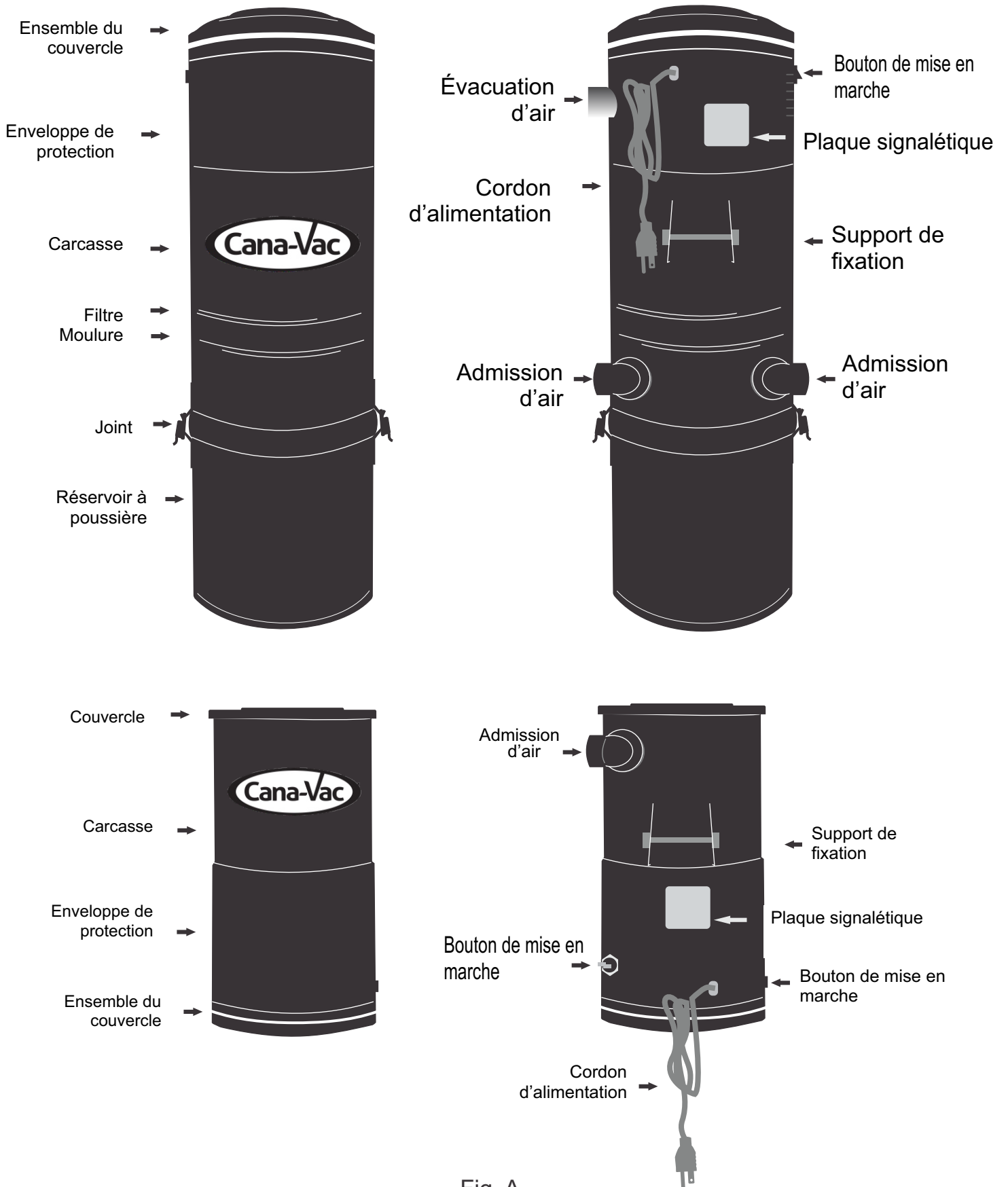


Fig. A

Consignes de sécurité importantes!

Durant l'utilisation d'un appareil électrique, toujours respecter les précautions élémentaires, y compris les consignes suivantes :

LIRE TOUTES LES INSTRUCTIONS AVANT D'UTILISER CET APPAREIL

«Pour usage domestique seulement.»

Avertissement :

Afin de réduire au minimum les risques d'incendie, de choc électrique ou de blessures.

- «Attention. Pour emploi à l'intérieur seulement» ou «Risque de choc électrique. À utiliser dans un endroit sec seulement.» ou «Risque de choc électrique. Ne pas exposer aux liquides, à la vapeur ou à la pluie.»
- Éviter d'utiliser sur des surfaces humides.
- Ne pas installer de prise d'aspirateur à l'extérieur
- Ne brancher l'appareil qu'à une prise d'alimentation correctement mise à la terre. Voir la section « Instructions de mise à la terre ».
- Faire preuve d'une grande prudence lorsque l'appareil est utilisé par des enfants ou près de ceux-ci. Éviter que l'appareil soit utilisé comme jouet ou laissé en marche sans surveillance.
- Ne laisser pénétrer aucun objet dans les prises murales.
- Éviter que l'aspirateur ne ramasse une matière qui dégage de la fumée ou qui brûle, comme des cigarettes, des allumettes ou des cendres encore chaudes.
- Éviter d'aspirer des liquides inflammables ou des combustibles comme de l'essence ou de la sciure, et d'utiliser l'appareil dans des endroits où l'on en trouve.
- Ne pas utiliser si le filtre n'est pas en place.
- Faire preuve d'une grande prudence pendant l'utilisation dans des escaliers.
- Éviter d'introduire des objets dans les ouvertures. S'assurer qu'aucune ouverture n'est obstruée; maintenir celles-ci exemptes de poussière, de mousse, de cheveux ou de toute autre matière qui pourrait réduire le débit d'air.
- Toujours débrancher l'appareil avant de faire l'entretien du boîtier moteur.
- Éviter de tirer sur le cordon d'alimentation pour débrancher l'appareil. Saisir la prise mâle et non le cordon. Ne jamais manipuler la prise mâle ou l'appareil avec les mains mouillées.
- Débrancher l'appareil s'il n'est pas utilisé. Désactiver toutes les commandes avant de le débrancher.
- Éviter d'utiliser si la prise mâle ou le cordon sont endommagés. Si l'appareil fonctionne mal, s'il est tombé par terre ou dans l'eau, endommagé ou laissé à l'extérieur, il doit être apporté à un Centre de service en usine Central Vac ou à un atelier de service garanti autorisé Central Vac (dépôt).
- N'utiliser cet appareil que conformément à son usage prévu, tel que décrit dans le présent guide.

Pendant l'utilisation des accessoires, veuillez respecter les consignes suivantes :

- Éviter d'utiliser l'électrobrosse à l'extérieur.
- Garder cheveux, vêtements, doigts, pieds ou toute autre partie du corps à bonne distance des ouvertures, de l'agitateur rotatif et des autres pièces mobiles de l'appareil. Éviter d'utiliser l'appareil pieds nus ou en portant des chaussures ou sandales qui découvrent les orteils.
- Débrancher le tuyau de sa prise murale, puis le cordon de la prise d'alimentation lorsque l'appareil ne fonctionne pas.
- Le tuyau contient des fils électriques. Éviter d'utiliser l'aspirateur si le tuyau est endommagé, coupé ou percé. Éviter d'aspirer des objets tranchants.
- Débrancher toujours l'appareil avant de brancher ou de débrancher le tuyau ou l'électrobrosse.

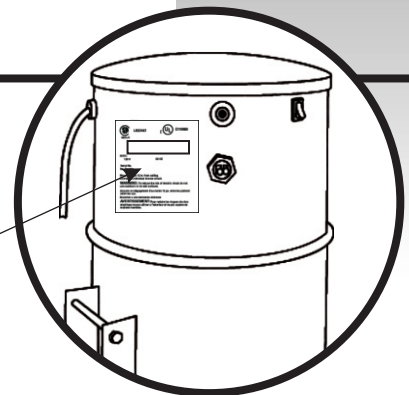
CONSERVER CES INSTRUCTIONS

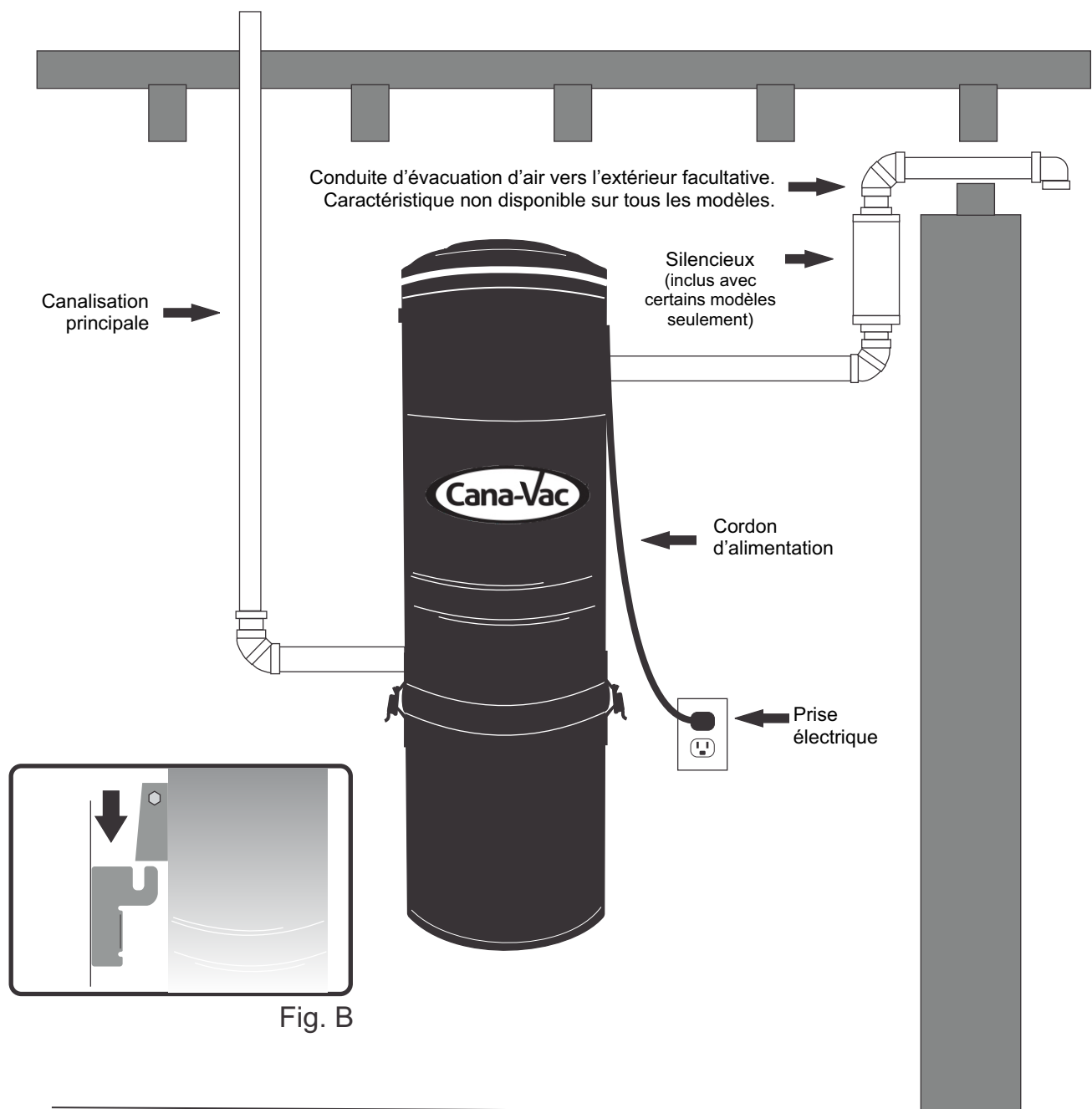
Remplir et conserver

L'installation du boîtier moteur de l'aspirateur central est permanente. Inscrivez les numéros COMPLETS de série et de modèle dans les espaces ci-dessous, et conservez ce document pour référence ultérieure.

Numéro du boîtier moteur _____ Numéro de série _____
(Voir sur le côté du boîtier moteur)

Il est recommandé de joindre votre reçu d'achat à ce document, **car une vérification de la date d'achat peut être effectuée avant toute réparation couverte par la garantie.**





Installation de l'unité motrice

Installer le support de fixation en prenant soin de s'assurer que ce dernier est parfaitement horizontal et fixé solidement. Il est important de noter qu'un support mal installé peut entraîner des problèmes, comme le déplacement de l'appareil au moment de vider le réservoir à poussière.

Voir PAGE 15 'Montage de l'unité motrice' pour plus de détails.

Montez l'appareil sur le support mural de sorte que la barre située à l'arrière de l'unité glisse vers le bas des fentes du support mural. Les onglets faisant saillie à l'arrière de l'appareil reposeront contre le support. Fig. B.

1. Assemblage

N'utiliser l'aspirateur qu'à la tension spécifiée sur le boîtier moteur. Cet appareil est destiné à un usage domestique seulement.

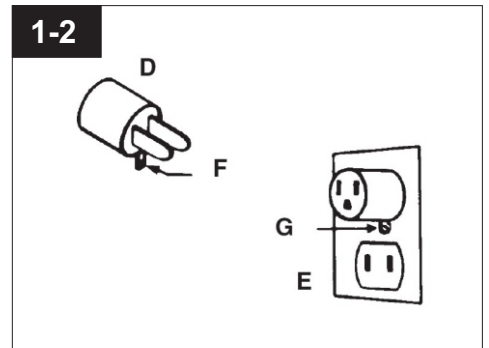
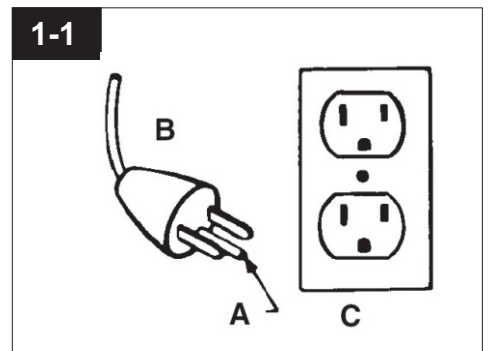
Instructions de mise à la terre

Cet appareil doit être mis à la terre. En cas de défectuosité ou bris de l'appareil, la mise à la terre assure une autre voie de circulation au courant électrique, ce qui réduit considérablement le risque de choc électrique. Cet aspirateur omporte un conducteur de mise à la terre (A) et une prise mâle de mise à la terre (B). La prise mâle doit être branchée dans une prise d'alimentation adéquate (C), installée et mise à la terre conformément aux codes et règlements locaux.

DANGER

Un mauvais branchement de la prise mâle peut présenter un risque de choc électrique. En cas de doute quant à la bonne mise à la terre de l'installation, consulter un électricien qualifié. **Éviter de modifier la prise mâle fournie avec l'appareil.** Si elle n'est pas

compatible avec la prise femelle, demander à un électricien de remplacer cette dernière. L'aspirateur a été conçu pour une tension de 120 volts et est équipé d'une prise mâle semblable à celle illustrée sur la figure 1-1. Si une prise avec mise à la terre n'est pas disponible, un adaptateur temporaire (D) peut être utilisé pour brancher l'appareil à une prise à deux trous (E). Cet adaptateur ne doit être utilisé que sur une base temporaire, soit jusqu'à l'installation d'une prise appropriée (C) par un électricien qualifié. La patte rigide verte (F) ou la pièce semblable qui dépasse de l'adaptateur doit être raccordée en permanence à un dispositif de mise à la terre, tel que le couvercle d'une boîte de sortie. Si l'adaptateur est utilisé, il doit toujours être maintenu en place par une vis métallique (G).



REMARQUE : Au Canada, le Code National de l'Électricité interdit l'utilisation d'adaptateurs temporaires.
Description

Configuration de l'admission d'air:

Cet appareil a été conçu pour permettre une admission d'air à gauche ou à droite. Un bouchon est inclus pour sceller l'admission d'air non utilisée. (Les appareils pour immeubles en copropriété font exception et comportent seulement une admission d'air à gauche.)

Insérer la conduite du système d'aspiration dans l'admission d'air choisie, **ne pas coller**. Si l'appareil doit être démonté aux fins d'entretien, les conduites ne doivent pas être fixées de façon permanente. Utiliser les colliers de serrage à vis sans fin de 2 po fournis pour fixer la conduite.



Fig. C

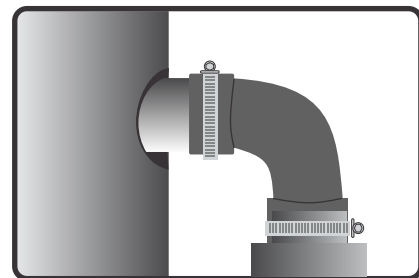


Fig. D

Installation du silencieux:

Certains modèles d'unités motrices ont un orifice d'échappement en PVC partant du moteur ou du carénage. Pour réduire davantage le bruit, un silencieux peut être installé sur ce port. (Silencieux non inclus sur tous les modèles). **Ne collez pas**, fixez-le avec le collier de serrage fourni. L'échappement peut être acheminé vers l'extérieur en option. (Respectez les codes de construction appropriés lors de la vente à l'extérieur).

Sac -filtre et adaptateur:

Aux fins de filtration supplémentaire et de facilité d'utilisation, cet appareil peut être utilisé avec un sac-filtre. L'adaptateur inclus doit être fixé à l'intérieur de l'orifice d'admission fonctionnel. Il doit être fixé en place à l'aide de colle pour conduits en PVC.

Pour installer le sac, il suffit de déplier et de glisser l'ouverture sur l'extrémité de l'adaptateur.



Fig. E

Câbles à basse tension:

Retirer les cosses du connecteur à basse tension sur le côté de l'appareil. **S'assurer que l'appareil est débranché.** Repérer les câbles à basse tension provenant des prises murales. Dénuder les extrémités des câbles et insérer ces dernières dans les cosses. Sertir les cosses pour assurer une prise ferme sur les câbles et réinstaller sur le côté de l'appareil.

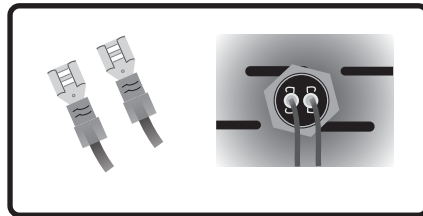


Fig. F

Vanne utilitaire:

Certains modèles peuvent inclure un kit avec une vanne utilitaire à installer près du bloc d'alimentation pour permettre la fixation d'un tuyau d'aspirateur central. Si l'appareil est installé dans le garage, il constitue également un emplacement idéal pour connecter un boyau de garage en option pour le nettoyage des voitures et du garage.

Mise sous tension:

En considération de l'installation adéquate de l'admission, de l'évacuation, de la prise utilitaire et des câbles à basse tension, l'appareil est maintenant prêt à être branché. Une fois l'appareil branché, le voyant DEL situé sur le connecteur à basse tension devrait s'allumer. Si ce n'est pas le cas, consulter le détaillant local.

À ce stade, l'interrupteur prioritaire doit être vérifié en mettant l'appareil sous tension et hors tension à l'aide du bouton de mise en marche situé sur l'appareil. (Voir l'illustration à la page 4.) Pour un fonctionnement normal, laisser cet interrupteur en position « arrêt » quand une prise à distance est utilisée.

2. Installation

Emplacement de l'aspirateur

L'aspirateur central peut être installé dans un sous-sol, une buanderie, un garage ou tout autre emplacement qui le protège des intempéries, et à distance raisonnable d'une prise d'alimentation électrique. Cet appareil exige une bonne ventilation. **NE PAS** installer l'appareil dans un endroit restreint ou exposé à la chaleur, comme un grenier, à côté d'un appareil de chauffage, etc. Au besoin, la sortie d'air du moteur peut être reliée à un évent extérieur.

Le sommet de l'appareil ne doit pas être à moins de 12 po (30,5 cm) du plafond afin de permettre au moteur électrique de refroidir. Pour faciliter le démontage du collecteur de poussière, le bas de l'appareil doit être à au moins 6 po (16 cm) du sol. L'aspirateur central requiert un circuit indépendant de 120 volts, 60 Hz, 15 ampères, 3 conducteurs mis à la terre, protégé par un fusible temporisé ou un disjoncteur de 120 V, 60 Hz, 15 A et une prise mise à la terre de 120 V, 60 Hz et 15 A.

Si une prise de courant de 120 V, 60 Hz et 15 A n'est pas disponible à proximité de l'appareil, en faire installer une par un électricien qualifié. La prise ne doit pas être à plus de 5 pi (152 cm) de l'aspirateur.

NE JAMAIS, SOUS AUCUNE CONSIDÉRATION, UTILISER DE RALLONGE ÉLECTRIQUE AVEC CET APPAREIL.

Installation de l'aspirateur

1) Déterminer si le mur sur lequel l'aspirateur doit être monté est construit en blocs de ciment, en béton ou en cloison sèche/plâtre.

2) Murs en blocs de ciment ou en béton

Se procurer 2 chevilles en plomb de 1 1/2 po (3,8 cm) x 1/4 po (0,64 cm) et 2 tire-fond de 1 1/2 po (3,8 cm) x 1/4 Po (0,64 cm). Percer un trou de 1/2 po (1,3 cm) x 1 3/4 po (4,4 cm) de profondeur avec un foret à maçonnerie. Placer une cheville en plomb dans le trou. Monter le support par son trou supérieur avec un tire-fond. Repérer la position du trou inférieur de support et s'assurer que le support est droit. Dégager le support du repère tracé sur le mur et percer un trou directement sur le repère. Placer une cheville en plomb dans le trou. Centrer le support sur le trou et fixer fermement avec un tire-fond.

3) Mur en cloison sèche ou en plâtre

Se procurer 2 vis à bois de 1 1/2 po (3,8 cm) x 1/4 po (0,64 cm). Localiser la position d'un montant dans le mur et percer un trou de 1/8 po (0,32 cm) de diamètre et de 1 3/4 po (4,4 cm) de profondeur. Monter le support par son trou supérieur avec une vis à bois. S'assurer que le support est droit. Percer un second trou et fixer fermement avec l'autre vis à bois.

4) Monter l'aspirateur sur le support. Le support de fixation doit s'insérer entre les deux appliqués sur la partie arrière de l'appareil.

- 5) Raccorder le tuyau à l'aspirateur.
- 6) Insérer le tuyau dans la prise d'entrée de l'aspirateur sans dépasser 2 1/2 po (6,4 cm) de profondeur.
- 7) Serrer le raccord de la prise d'entrée avec un collier de serrage à vis de 3 po (7,6 cm). (Éviter de coller le tuyau dans l'orifice d'entrée.)
- 8) Raccorder le conduit à l'échappement (côté droit, près de la partie supérieure de l'appareil) et assurer l'évacuation à l'extérieure (mesure facultative si l'appareil est installé dans le garage). Serrer le raccord de la prise d'évacuation avec un collier de serrage. (Ne pas coller le tuyau à la prise d'évacuation en plastique.)
- 9) Connecter les fils 24 V des clapets muraux à la prise 24 V de l'appareil.
- 10) Brancher l'aspirateur dans la prise murale.
- 11) En supposant que les prises d'aspiration murales sont convenablement raccordées à l'alimentation, l'aspirateur est alors prêt à fonctionner.

3. Utilisation

Types de vannes murales Fig 3-1: Raccord rapide (A) - Flexible sans câble; Standard (B) - Flexible avec cordon (brancher sur une prise de courant lorsque vous utilisez une brosse électrique).

L'interrupteur situé sur la poignée du tuyau (si inclus) peut contrôler une ou plusieurs fonctions selon le modèle. Un interrupteur à une seule position possède un contrôle d'alimentation de l'aspirateur OU un contrôle de brosse électrique. Dans ce dernier cas, l'insertion de ce type de tuyau dans la vanne murale activera automatiquement

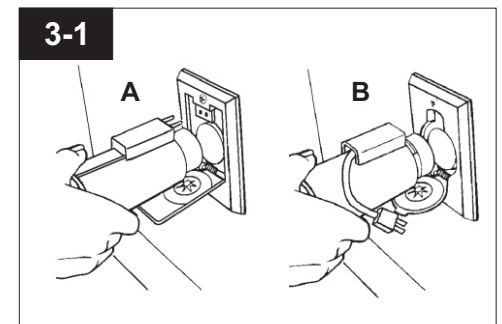
le boîtier. Un interrupteur à deux positions permet de contrôler l'aspirateur et la brosse d'alimentation. Si votre tuyau comporte un interrupteur, ce dernier permet alors de mettre l'aspirateur en marche (ON) ou de l'arrêter (OFF).

L'aspirateur peut être mis en marche et arrêté grâce à l'interrupteur qui se trouve sur la section supérieure du boîtier moteur.

Vérification du système. Vérifier l'étanchéité de chaque connexion. Un sifflement indique une fuite d'air. Le cas échéant, apporter les corrections nécessaires. Vérifier l'étanchéité de chaque clapet d'aspiration.

Mette le système en marche en introduisant le boyau dans chaque ouverture à clapet, et s'assurer que le système fonctionne bien.

Votre système d'aspiration centrale est prêt à fonctionner.



4. Entretien

Débrancher l'appareil avant de nettoyer le filtre.

Le seul entretien requis par votre aspirateur central consiste à vider le collecteur de poussière lorsque nécessaire et à nettoyer

périodiquement le filtre.

Pour nettoyer le filtre :

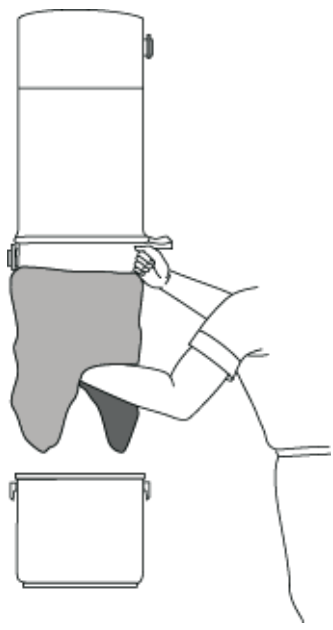
1) Pour enlever le collecteur de poussière, enfoncer les boutons situés de chaque côté du collecteur de poussière et tourner le collecteur de poussière pour l'extraire.

2) Placer un sac de plastique sous le filtre en tissu Dacron et autour de déflecteur cyclonique qui entoure le filtre.

3) En utilisant le sac en plastique pour empêcher la chute des particules accumulées, secouer le filtre pour faire tomber dans le sac les matières qui adhèrent au filtre (Fig. 4-1).

4) Remettre en place le collecteur de poussière et le tourner jusqu'à ce que les boutons ressortent.

4-1



Dépannage

Si un problème d'ordre mineur survient, il

peut habituellement être résolu très facilement. Il suffit de consulter la liste cidessous

pour en déterminer la cause.

Problème : L'aspirateur refuse de fonctionner

Cause possible

Solution possible

· **Cordon d'alimentation mal branché.**

· Brancher correctement.

· **La prise murale ne fournit aucune tension.**

· Vérifier le fusible ou le disjoncteur.

· **Fusible grillé/disjoncteur déclenché*.**

· Remplacer le fusible/réenclencher le disjoncteur.

*Si l'aspirateur ne fonctionne toujours pas après avoir réenclenché le disjoncteur,

contacter le bureau local de la COMPAGNIE Central Vac ou consulter les

Pages Jaunes de l'annuaire téléphonique

pour trouver le centre de service autorisé le plus près de chez vous pour faire effectuer les réparations avec des pièces d'origine Central Vac. Pour toute réparation couverte par la garantie,

respecter les directives données dans la garantie livrée avec cet appareil.

Toujours identifier l'aspirateur en indiquant

le numéro de modèle lors de toute demande de renseignements ou pour la commande de pièces de rechange.

· **Mauvais branchement du circuit basse tension.**

· Relier ensemble les bornes basse tension de l'appareil. Si l'appareil se met en marche, le circuit basse tension est en cause.

· **Prise murale défectueuse**

· Introduire le boyau dans un autre ouverture à clapet. Si l'appareil se met en marche, le premier clapet est sans doute défectueux. Le remplacer.

Problème avec le circuit basse tension

· Mettre l'aspirateur en marche au moyen de l'interrupteur situé sur l'appareil. Si l'appareil se met en marche, le câblage relié au clapet d'aspiration, au transformateur 24 V ou au relais est défectueux.

Problème : L'appareil n'aspire pas suffisamment

Cause possible

Solution possible

· **Filtre sale.**

· Nettoyer le filtre.

· **Obstructions dans le tuyau d'aspiration ou les accessoires de nettoyage.**

· Vérifier si le boyau ou les conduits sont bouchés en introduisant le boyau dans une ouverture à clapet. Vérifier si l'aspiration se fait à un autre clapet d'aspiration en soulevant ce dernier.

Dans l'affirmative, introduire le boyau dans la seconde ouverture à clapet et vérifier, à l'extrémité du boyau si l'aspiration est normale.

Si le raccord du boyau est bouché, le dégager au moyen d'un objet long, non coupant, comme un manche à balai ou un boyau d'arrosage.

Si le conduit est bouché, introduire le boyau dans une ouverture à clapet et mettre la main sur l'extrémité du boyau de façon à interrompre le débit d'air. Retirer la main de l'extrémité du boyau et la remettre sur celle-ci plusieurs fois et rapidement.

· **Tubes ou prises d'aspiration murales mal installées.**

· S'assurer que tous les clapets d'aspiration sont bien fermés.

· **Collecteur de poussière plein ou mal positionné**

· Vérifier s'il est nécessaire de vider le récipient à poussière. Vérifier si le récipient à poussière est bien placé et fixé solidement.

Avertissement :

UTILISER SEULEMENT LES TUYAUX ET ACCESSOIRES APPROUVÉS AVEC CET APPAREIL



**Sistema de vacío central
Manual
del usuario**

**PRECAUCIONES DE SEGURIDAD IMPORTANTES
LEA TODAS LAS INSTRUCCIONES ANTES DE USAR ESTE DISPOSITIVO.**

La unidad de potencia del sistema central

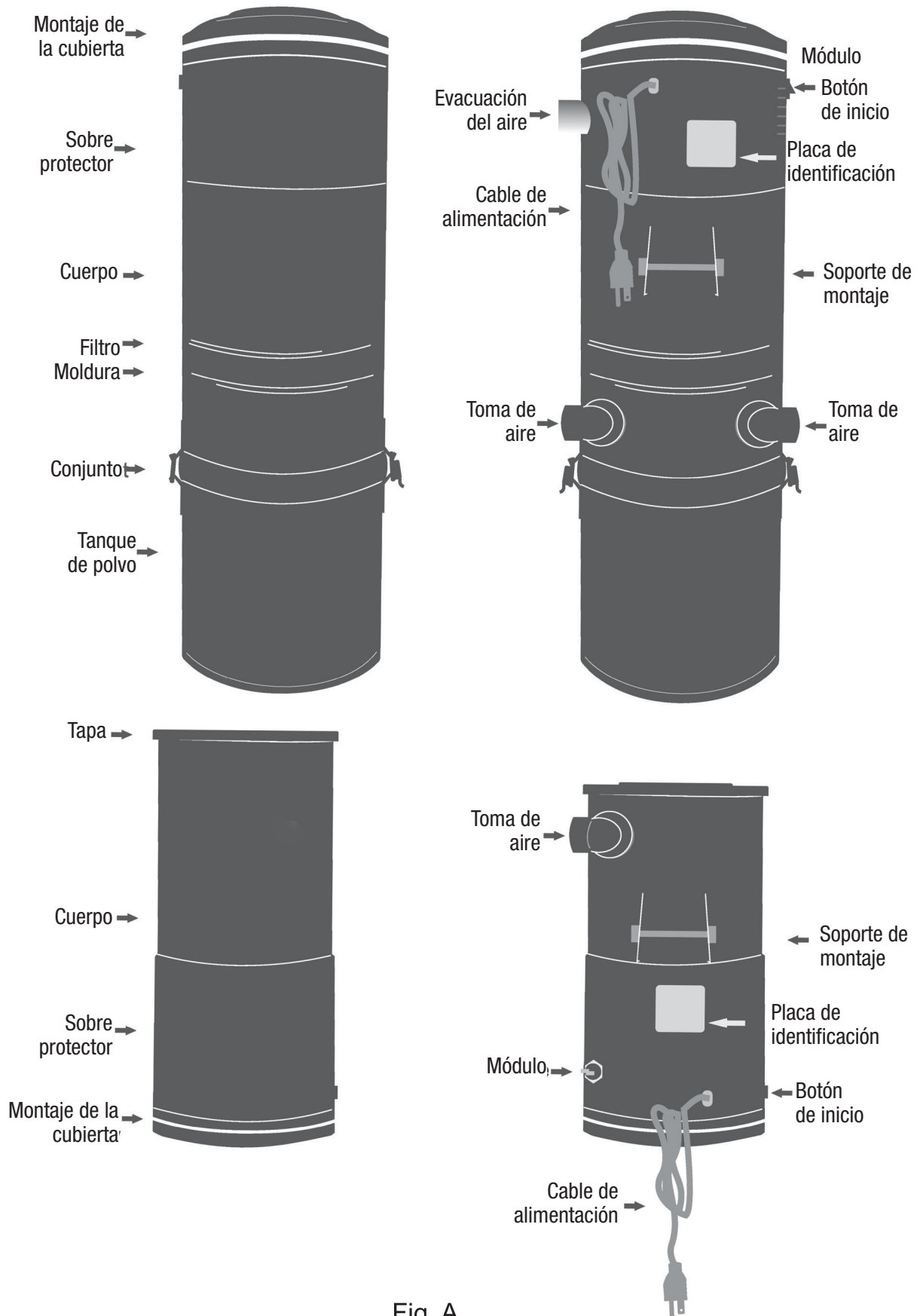


Fig. A

Instrucciones importantes de seguridad!

Cuando utilice un aparato eléctrico, siga siempre las precauciones básicas, incluidas las siguientes instrucciones

LEA TODAS LAS INSTRUCCIONES ANTES DE USAR ESTE APARATO
SÓLO PARA USO DOMÉSTICO

Advertencia

Para minimizar el riesgo de incendio, descarga eléctrica o lesiones.

- Atención. Sólo para uso interiores o riesgo de descarga eléctrica. Úselo solo en un lugar seco hay riesgo de descarga eléctrica. No lo exponga a líquidos, vapor ni lluvia.
- Evite el uso sobre superficies húmedas.
- No instale una válvula de pared al aire libre.
- Solo conecte el dispositivo a un tomacorriente correctamente conectado a la tierra. Consulte la sección de instrucciones de conexión a la tierra.
- Tenga mucho cuidado cuando el aparato sea usado por niños o cerca de ellos. No utilice el dispositivo como un juguete ni lo deje desatendido.
- No permita que ningún objeto entre en las tomas de pared.
- Evite que la aspiradora recoja cualquier material que esté emitiendo humo o quemándose, como cigarrillos, fósforos o cenizas que aún estén calientes.
- Evite extraer líquidos inflamables o combustibles tales como gasolina o aserrín y no use la máquina en lugares donde se encuentren.
- No usar si el filtro no está en su lugar.
- Tenga cuidado al usar en escaleras.
- Evite introducir objetos en las aberturas. asegúrese de que no haya obstrucciones en las aberturas; Manténgalos libres de polvo, musgo, cabello o cualquier otro material que pueda reducir el flujo de aire.
- Siempre desenchufe la unidad antes de reparar la caja del motor.
- Evite tirar del cable de alimentación para desenchufar el aparato. Tome el enchufe y no el cable. Nunca manipule el enchufe o el aparato con las manos mojadas.
- Desenchufe el aparato si no se utiliza. Desactive todos los controles antes de desenchufar.
- evite usarlo si el enchufe o el cable están dañados. Si el dispositivo no funciona correctamente, si cae al suelo o en el agua, está dañado o se deja afuera, debe ser llevado al centro de El servicio de fábrica Central Vac o a un taller de servicio autorizado por Central Vac.
- Use este dispositivo solo de acuerdo con su uso previsto, como se describe en esta guía. Al usar accesorios, siga las siguientes instrucciones:
- Evite utilizar el cepillo en el exterior.
- Mantenga el cabello, la ropa, los dedos, los pies o cualquier otra parte del cuerpo lejos de las aberturas, el agilador giratorio y otras partes móviles del aparato. Evite el uso del aparato con los pies descalzos o con zapatos o Sandalias que descubren los dedos de los pies.
- Desenchufe la manguera de la toma de corriente de la pared y luego el cable de alimentación cuando el aparato no esté funcionando.
- La tubería contiene cables eléctricos. Evite utilizar la aspiradora si la manguera está dañada, cortada o perforada. Evite aspirar objetos afilados.
- Siempre desenchufe el aparato antes de conectar o desconectar la manguera o el cabezal de alimentación.

Guarda estas instrucciones

Guarda estas instrucciones

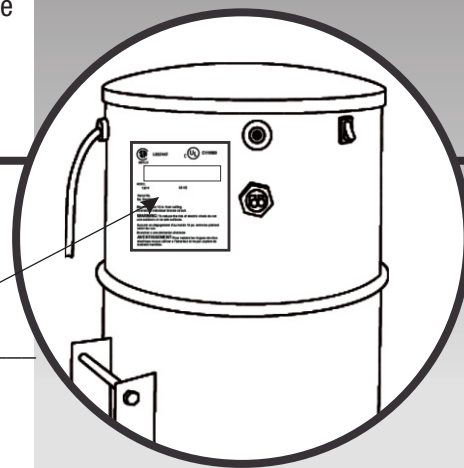
La unidad de potencia del sistema de vacío central se montará permanentemente.
Para sus registros, ingrese los números de modelo y de serie en los espacios provistos

UNIDAD DE POTENCIA MODELO _____ NÚMEROS DE SERIE _____

(Ver lado de la unidad de poder)

Adjunte el recibo de compra al manual de este propietario.

Se requiere la verificación de la fecha de compra para el servicio de garantía



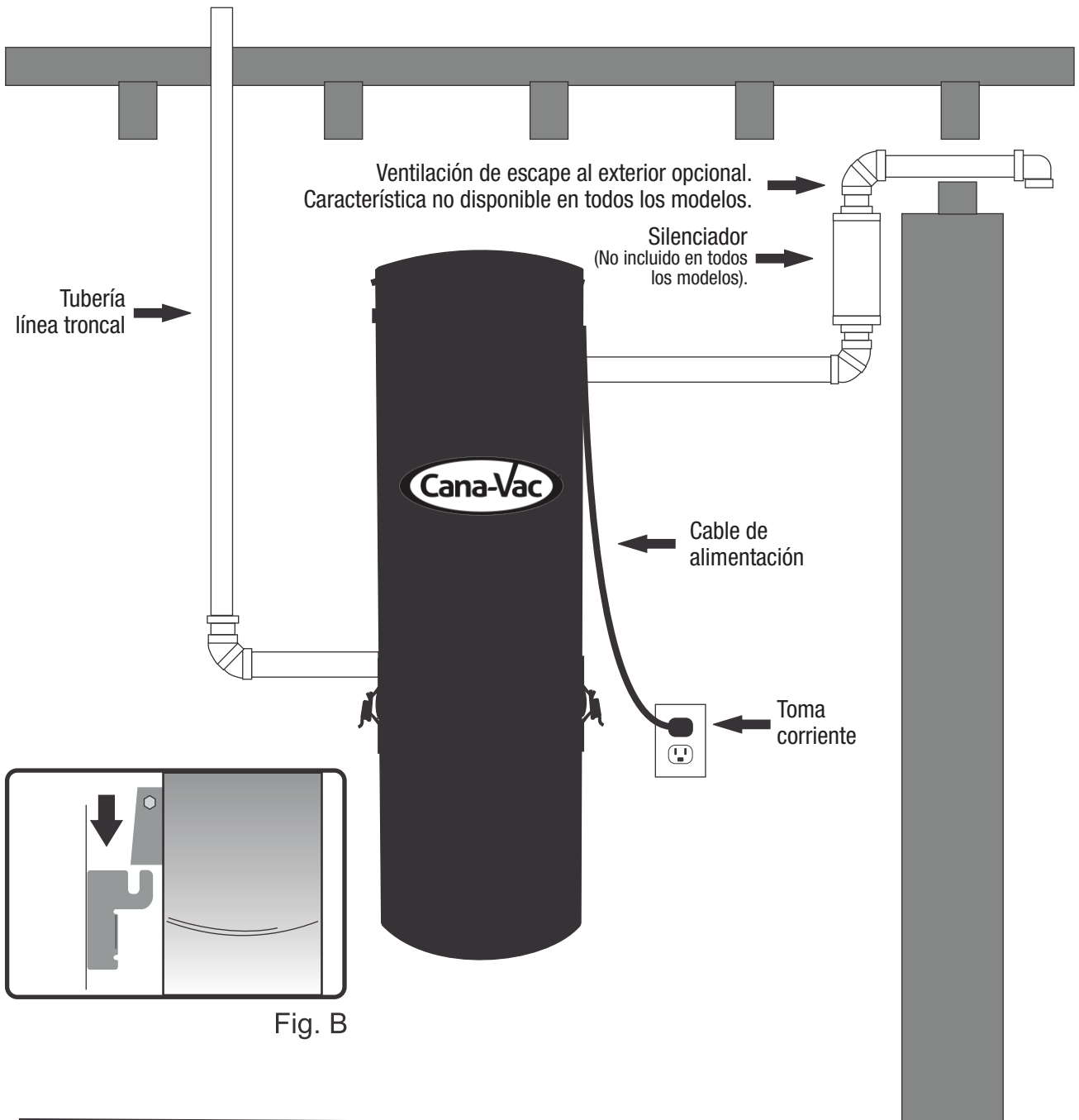


Fig. B

Instalación de la unidad de potencia:

instale el soporte de montaje teniendo cuidado de asegurarse de que esté nivelado y seguro. Es importante tener en cuenta que un soporte mal instalado podría ocasionar problemas, incluida la pérdida de la unidad al vaciar el cubo de suciedad.

Consulte la PÁGINA 7 “Montaje de la unidad de potencia para obtener más información.

Monte la unidad en el soporte de pared de manera que la barra en la parte posterior de la unidad de vacío se deslice hasta la parte inferior de las ranuras en el soporte de pared. Las pestañas que sobresalen de la parte posterior de la unidad descansarán contra el soporte. (Fig. B.)

1. Montaje

Sistema de limpieza operado solo al voltaje especificado en la unidad de potencia

Este sistema está destinado para uso doméstico.

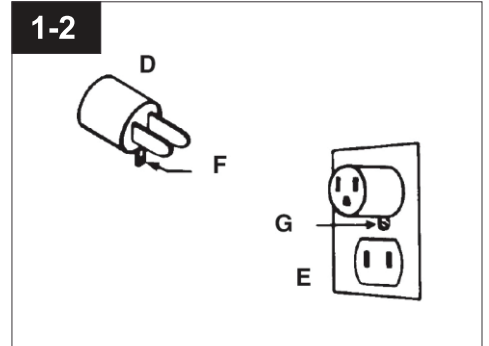
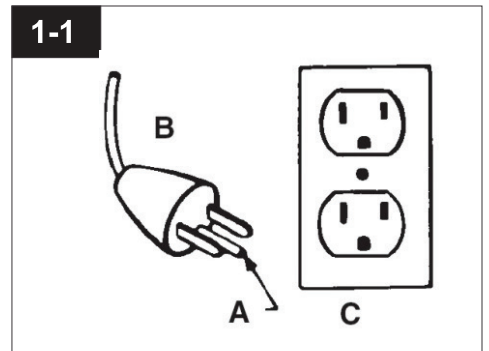
Instrucciones de puesta a tierra

Este aparato debe estar conectado a tierra. Si falla o se descompone, la conexión a tierra proporciona una ruta de menor resistencia para la corriente eléctrica a fin de reducir el riesgo de descarga eléctrica. Este aparato está equipado con un cable que tiene un conductor de conexión a tierra (A) y un enchufe de conexión a tierra (B). El enchufe debe enchufarse en un tomacorriente apropiado (C) que esté correctamente instalado y conectado a tierra de acuerdo con todos los códigos y ordenanzas locales.

Peligro

La conexión incorrecta del conductor de conexión a tierra del equipo puede provocar un riesgo de descarga eléctrica. Consulte con un electricista o técnico calificado si tiene dudas sobre si la toma de corriente está conectada a tierra correctamente. No modifique el enchufe provisto con el aparato si no encaja en el tomacorriente, haga que un electricista calificado instale un tomacorriente adecuado. Este aparato es para uso en un circuito nominal de 120 voltios y tiene un enchufe de conexión a tierra que se parece al enchufe ilustrado en la Fig.1.1

Se puede usar un adaptador temporal (D) para conectar este enchufe a un receptáculo de 2 polos (E) si no se dispone de un tomacorriente con conexión a tierra adecuada. El adaptador temporal se debe usar solo hasta que se pueda instalar un tomacorriente con conexión a tierra (C) con un electricista calificado. La oreja rígida de color verde (F), la orejeta o similar que se extiende desde el adaptador se debe conectar a una toma de tierra permanente, como una tapa de la caja de tomacorrientes debidamente conectada a tierra. Siempre que se use el adaptador, debe haber ayuda en su lugar por un tornillo de metal (G).



Nota:

En Canadá, el código eléctrico canadiense no permite el uso de un adaptador temporal.

Configuración de admisión:

Esta unidad ha sido diseñada para proporcionar la opción de admisión lateral izquierda o derecha. Se incluye una tapa de tubería con el fin de sellar la entrada no utilizada. Las unidades de condominio son una excepción con solo una opción de entrada del lado izquierdo.

Dirija la tubería del sistema de vacío al puerto de admisión elegido, no lo pegue. Si la unidad requiere ser atendida para su mantenimiento, no querrá que esté sujeta permanentemente a su sistema de tubería. Use las 2" abrazaderas de engranajes provistas para unir.

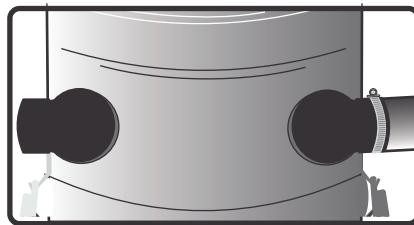


Fig. C

Instalación del silenciador:

Algunos modelos de unidades de potencia tienen un puerto de escape de PVC que se extiende desde el motor o la cubierta. Para una reducción de ruido adicional, se puede instalar un silenciador en este puerto. Silenciador no incluido en todos los modelos.

No pegue, fije con la abrazadera de 2 engranajes provista El escape se puede enrutar al exterior como una opción.

Siga los códigos de construcción apropiados cuando ventile al aire libre.

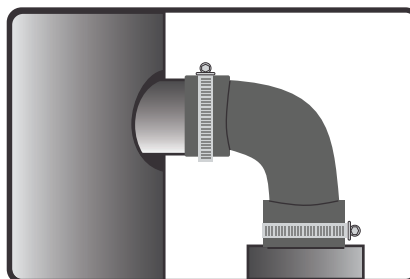


Fig. D

Bolsa de filtro y adaptador:

Para una filtración adicional y facilidad de uso, esta unidad se puede usar con una bolsa de filtro. El adaptador incluido se debe colocar en el interior del puerto de admisión operacional. Debe ser pegado en su lugar con cemento de PVC.

Para instalar la bolsa, simplemente despliegue y deslice la abertura sobre el extremo del adaptador



Fig. E

Cables de baja tensión:

Retire las lengüetas del receptáculo de baja tensión en el costado de la unidad. Asegúrese de que la unidad esté desenchufada. Ubique los cables de baja tensión que provienen de las válvulas de entrada de la pared. Retire el aislamiento de los extremos de los cables e insértelos en las lengüetas. Enrosque las orejetas asegurando un agarre firme al cable y vuelva a instalarlo en el lateral de la unidad.

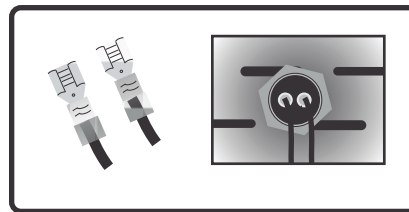


Fig. F

Válvula de utilidad:

Algunos modelos pueden incluir un kit con una válvula de utilidad para la instalación cerca de la unidad de potencia para permitir la conexión de una manguera de aspiración central. Si la unidad se instala en el garaje, también proporciona una ubicación conveniente para conectar una manguera de aspiración de garaje opcional para Limpieza de autos y áreas de garaje.

Alimentando la unidad:

Con la consideración de que la entrada, el escape, la válvula de utilidad y los cables de bajo voltaje están todos correctamente instalados, la unidad ahora está lista para enchufarse. Una vez enchufada, el LED debería iluminarse en el receptáculo del cable de bajo voltaje. Si no lo hace, Consulte a su distribuidor local.

En este punto, el interruptor de anulación se debe probar encendiendo y apagando la unidad a través del interruptor de alimentación en la unidad. (Vea la página 4) Para un funcionamiento normal, deje este interruptor en la posición de apagado cuando use una válvula remota.

2. Instalación

Ubicación para el bote de potencia

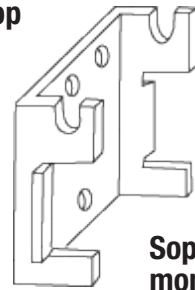
El contenedor eléctrico puede montarse en el sótano, el cuarto de servicio, el garaje o cualquier otra área remota, excepto en lugares expuestos a la intemperie, y debe ubicarse convenientemente en un tomacorriente. La unidad requiere ventilación. No lo instale en un área de producción de calor o confinada, como el ático, la sala de muebles, etc. Si lo desea, el Power Canister se puede extraer al exterior. La parte superior del recipiente no debe estar a menos de 12" (30.5 cm) del techo para permitir una refrigeración adecuada del motor. Para facilitar la extracción del contenedor de polvo, la parte inferior de la unidad debe estar al menos a 6" (16 cm) por encima del piso. Los recipientes de alimentación de vacío central requieren un circuito de alimentación o circuito separado, dedicado, de 120 voltios, 60 Hz, 15 amperios y conexión a tierra, protegidos por un fusible de 120 voltios, 60 Hz, CA, 15 A de retardo de tiempo o disyuntor, y 120 voltios, 60 Hz. , Receptáculo con conexión a tierra de 15 Amperios. Si no hay disponible un receptáculo con conexión a tierra de 120 voltios, 60 Hz., Instale un electricista calificado para que lo instale. El receptáculo no debe estar a más de 5 pies (152 cm) del recipiente de alimentación.

BAJO NINGUNA CIRCUNSTANCIA DEBE UTILIZARSE UN CORDÓN DE EXTENSIÓN CON ESTE CANISTER.

Montaje del bote de potencia

- 1) Determine si la pared a la que estará montando el recipiente es de bloque, concreto o yeso / panel de yeso
- 2) Bloque o muro de concreto que necesitará (2) enchufes de plomo de 1 1/2" (3.8cm) x 1/4" (.64cm) y (2) 1 1/2" (3.8cm) x 1/4" (.64cm) pernos de demora. Ponga un diámetro de 1/2" (1.3cm). x 1 3/4" (4,4 cm) orificio profundo con una broca de mampostería. Inserte un tapón de plomo en el orificio. Monte el soporte (Fig.2-1) desde un orificio superior con un perno de registro. Marque la otra parte superior orificio del soporte. Asegúrese de que el soporte esté recto. Deslice el soporte lejos de la marca y taladre un agujero directamente sobre la marca. Inserte un tapón de plomo en el orificio. Alinee el soporte sobre el orificio y ajústelo firmemente con un perno (Continuar hasta 4).
- 3) Drywall o pared de yeso Necesitará (2) tornillos para madera de 1 1/2" (3.8 cm) x 1/4" (.64 cm). Ubique un perno y taladre un diámetro de 1/8" (.32 cm) dia.x 1 3/4" (4.4cm)
- 4) Monte el recipiente de alimentación en el soporte asegurándose de que la barra en la parte posterior de la máquina se asiente en la parte inferior de las ranuras en el soporte de montaje. El soporte de montaje en pared debe encajar entre los dos soportes en la parte posterior del aspirador central.

2-1 Top



Soporte de montaje

- 5) Dirija el tubo de entrada al recipiente.
- 6) Inserte el tubo en la entrada del recipiente.
- 7) Apriete la conexión de entrada con una abrazadera de engranaje de 3" (7,6 cm). No fije la tubería al puerto de entrada de plástico.
- 8) Conecte el tubo al escape (lado derecho cerca de la parte superior de la unidad) y ventile el exterior (no es necesario que la unidad esté en el garaje). Apriete la conexión del escape con una abrazadera de engranajes. No pegue la tubería al orificio de escape de plástico.
- 9) conecte los cables de 24 voltios provenientes de las válvulas de la pared al receptáculo de 24 voltios en la máquina.
- 10) enchufe el cable de alimentación.
- 11) asumiendo que las válvulas de entrada de la pared están conectadas, el sistema ahora está listo.

3) Cómo utilizar

Tipos de válvulas de pared Fig.3-1: Conexión rápida (A) - Estándar de manguera sincable (B) - Enchufe de manguera con cable en la toma de corriente cuando se usa un cepillo eléctrico

El interruptor en el mango de la manguera (si se incluye) puede controlar una o más funciones según el modelo. Un interruptor de posición del sigle tiene control de depósito de potencia, O control de cepillo de potencia. En este último caso, al insertar este tipo de manguera en la válvula de pared, se encenderá automáticamente la unidad del

recipiente. Un interruptor de doble posición tiene control sobre el recipiente de alimentación y el cepillo de alimentación.

El recipiente de alimentación también puede encenderse y apagarse con el interruptor que se encuentra en la sección superior del módulo del motor ubicado en la unidad de vacío central.

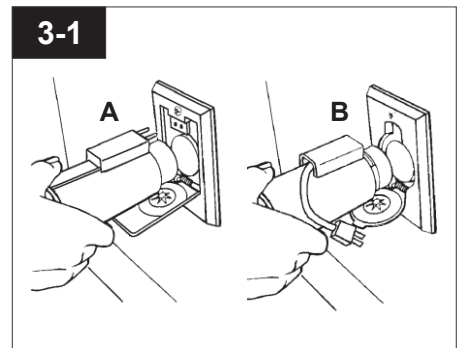
Verifica el sistema

Verifique que cada conexión tenga el sello adecuado y que no haya fugas de aire. Si hay uno presente, es posible que escuche un silbido. Corregir si está presente.

Verifique que no haya fugas de aire en cada válvula de entrada. Comience a enchufar la

manguera en cada válvula para asegurarse de que funcione correctamente si su sistema central de aspiración está listo para su uso.

3-1



4. Mantenimiento

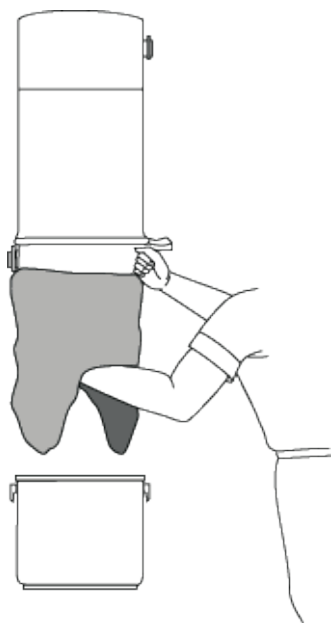
El único mantenimiento que necesita su recipiente de alimentación es vaciar el contenedor de polvo según sea necesario y limpiar periódicamente el filtro.

Para limpiar el filtro

El filtro en su sistema Central Vac no debería requerir ningún mantenimiento, si observa que el filtro tiene una "capa de suciedad" en la superficie del filtro y desea limpiarlo, hágalo siguiendo estas sencillas instrucciones.

- 1) Retire el contenedor de suciedad abriendo los pestillos de cada lado del contenedor de suciedad (o girando el contenedor de suciedad si la unidad es de plástico).
- 2) Envuelva una bolsa de basura de plástico de forma segura alrededor de la base de la unidad para que no se escape el polvo al colocar el filtro dentro de la bolsa de basura.
- 3) utilizando la bolsa de plástico como protección para las manos contra las partículas de suciedad, agite el filtro para que las partículas que se adhieren al filtro caigan dentro de la bolsa (Fig.4-1)
- 4) Vuelva a colocar el contenedor de suciedad y ajuste los pestillos (o alinee y gire para asegurar el contenedor de suciedad si la unidad es de plástico).

4-1



Si tienes un problema

Si se desarrolla un problema menor, por lo general puede remediarse fácilmente cuando se encuentra la causa utilizando la lista de verificación a continuación.

Problema: el limpiador no funciona

Causa posible
Solución posible

- **Manguera no firmemente enchufada**
 - Enchufar firmemente
- **Sin voltaje en el enchufe de pared**
 - Verifique el fusible o el interruptor
- **Fusible fundido / interruptor roto**
 - Reemplazar fusible / restablecer interruptor
- **Circuito de baja tensión instalado incorrectamente**
 - Terminales cortos de bajo voltaje en la unidad de potencia, si la unidad arranca, hay un problema con el circuito de bajo voltaje.
- **Válvula de pared defectuosa**
 - Inserte la manguera en otra válvula de entrada. Si la unidad se enciende, la válvula de entrada puede estar defectuosa. Reemplace la válvula de entrada.
- **Problema con el circuito de baja tensión.**
 - Encienda la central con el interruptor de encendido / apagado ubicado en la unidad. Si la unidad arranca, el problema está en el cableado de la válvula de entrada, el transformador de 24 voltios o el relé. Póngase en contacto con el centro de servicio local de fábrica de Central Vac.

Problema: Succión baja

Causa posible
Solución posible

- **Suciedad Bote lleno o filtro sucio**
 - Bote vacío o filtro limpio
- **Obstrucción en mangueras, tuberías o herramientas de limpieza**
 - Determine si la obstrucción está en la manguera o en la tubería insertando la manguera en una válvula de entrada. Verifique si hay alguna succión en otra válvula de entrada abriendo la tapa. Si hay, conecte la manguera en la segunda válvula de pared y sienta extremo de la manguera para ver si hay succión regular.
 - Si el bloqueo está en la manguera, inserte un elemento largo y romo, como el mango de una escoba, para despejar el bloqueo. Si el bloqueo está en el tubo, inserte la manguera en la válvula de la pared y coloque el extremo de la manguera con la mano para cortar el flujo de aire. Coloque su mano dentro y fuera del extremo de la manguera varias veces rápidamente. Si esto no elimina el bloqueo, invierta el vacío en la válvula bloqueada para bloquear el vacío. Si esto no funciona, póngase en contacto con su centro de servicio local de Central Vac. Revise las herramientas, varillas, etc. Para bloqueos.
- **Tubería del sistema y / o válvulas de pared instaladas incorrectamente**
 - Asegúrese de que todas las válvulas de entrada estén bien cerradas.
- **Contenedor de suciedad lleno o mal posicionado**
 - Verifique si es necesario vaciar el contenedor de suciedad. Verifique si la cubeta de suciedad está colocada correctamente y si está bien torcida en la unidad de plástico, y los pestillos están enganchados en la unidad de metal

Advertencia:

UTILICE ÚNICAMENTE MANGUERAS Y ACCESORIOS APROBADOS CON ESTA UNIDAD.