



Count on it.

Parts Catalog

**22in Recycler[®] Lawn Mower with
SmartStow[®]**

Model No. 20339—Serial No. 40000000 and Up



Ordering Replacement Parts

To order replacement parts, please supply the part number, the quantity, and the description of each part desired.

Understanding Reference Numbers

Each identified part in an illustration has a reference number. The reference number for a part also appears in the parts list, along with other information about the part.

This catalog uses two special reference number formats, one to indicate parts in a service assembly and another to indicate the quantity of a given part in an illustration.

Service Assembly Reference Numbers

Parts in service assemblies have reference numbers in the form a:b. The a represents the reference number of the entire service assembly and the b represents a sequential number unique to each part within the service assembly.

For example, a wheel assembly might be identified by reference number 6, the tire by 6:1, the valve by 6:2, and the wheel by 6:3. When you order the assembly identified by reference number 6, you receive all parts identified by reference numbers 6:1, 6:2, and 6:3. However, you may also order any part individually. Reference numbers of this type appear in illustration and in parts lists.

Reference Numbers Indicating Quantity

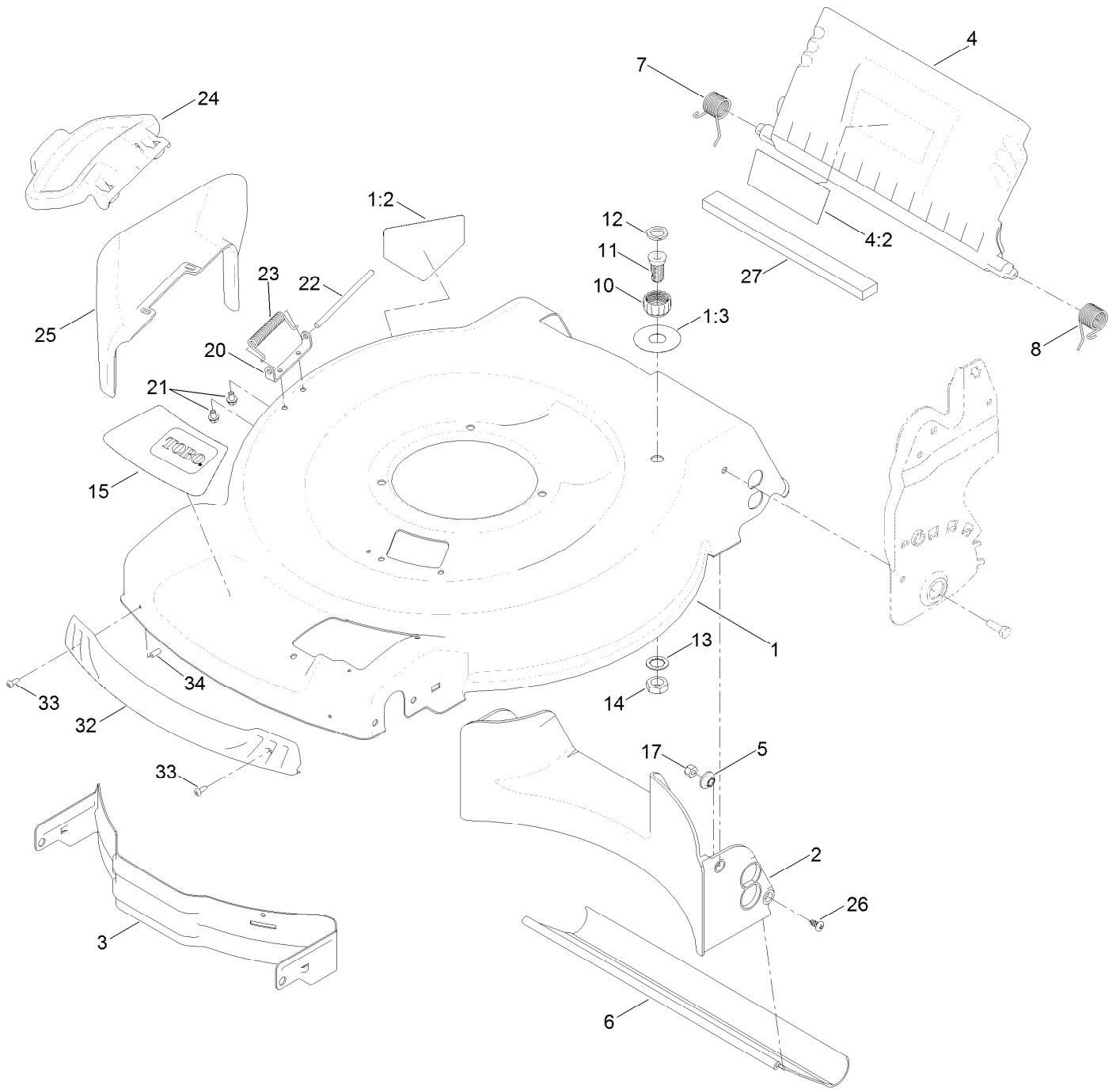
In an illustration, if a reference number indicates more than one part, the reference number has the form nX y. The n represents the quantity of the part, the X is the multiplication symbol, and the y represents the reference number.

For example, in an illustration, the reference number 2X 37 means that two of the parts identified by reference number 37 are indicated.

Contents

Housing Assembly	4
Rear Bag Assembly	6
Engine and Blade Assembly	8
Transmission and Front Wheel Drive Assembly	10
Height-of-Cut and Rear Wheel Assembly	12
Handle and Control Assembly	14
Attachments and Accessories	16

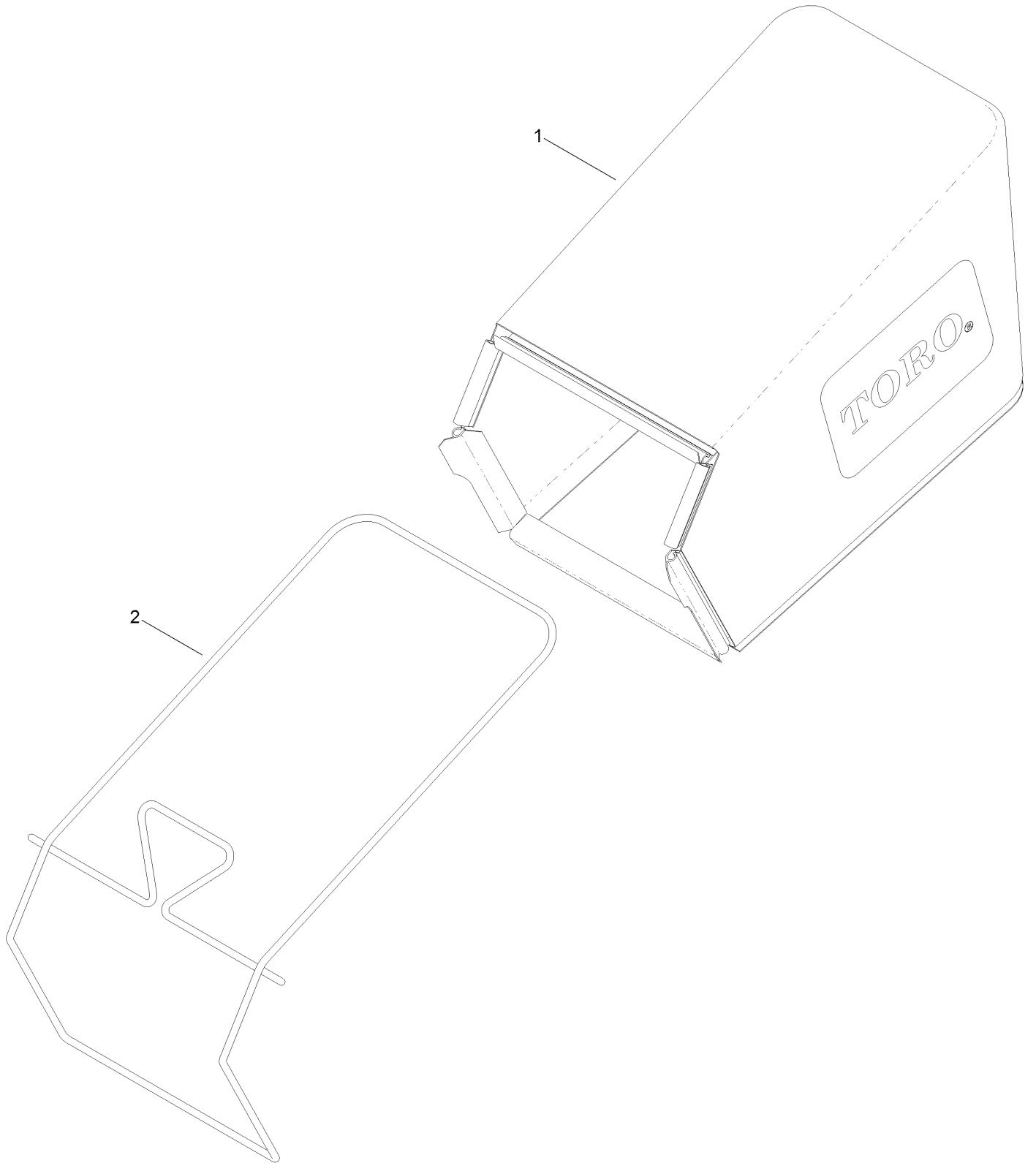
Housing Assembly



Housing Assembly (continued)

<i>Ref.</i>	<i>Part Number</i>	<i>Qty.</i>	<i>Description</i>	<i>Ref.</i>	<i>Part Number</i>	<i>Qty.</i>	<i>Description</i>
1	136-7052	1	Housing ASM	13	3254-5	1	Washer-Tooth, Internal
1:2	94-8072	1	Decal-Danger	14	3218-6	1	Nut-Jam
1:3	112-8867	1	Decal-Port, Washout	15	130-2398	1	Decal-Deck
2	120-5218	1	Baffle-Rear	17	3296-29	2	Nut-Lock, NI
3	114-7963-01	1	Baffle-Front	20	112-6416	1	Bracket-Cover
4	136-7003	1	Rear Deflector ASM	21	99-8445	2	Screw-HWH
4:2	131-4514	1	Decal-Warning	22	99-5291	1	Rod-Cover
5	117-5991	2	Washer-Stepped, Baffle	23	99-5293	1	Spring-Torsion
6	115-8420	1	Shield-Trailing	24	115-8449	1	Deflector-Side
7	114-7924	1	Spring-Torsion	25	115-8447	1	Chute-Discharge, Side
8	115-2859	1	Spring-Torsion	26	117-1092	2	Screw-PTH
10	112-6401	1	Coupling-Hose, Washout Port	27	117-5924	1	Foam-Seal
11	112-6400	1	Port-Washout	32	114-7987	1	Bumper
12	112-6438	1	Washer-Seal, Washout Port	33	105-6849	2	Screw-Forming, Thread
				34	130-6660	2	Cap-Plug

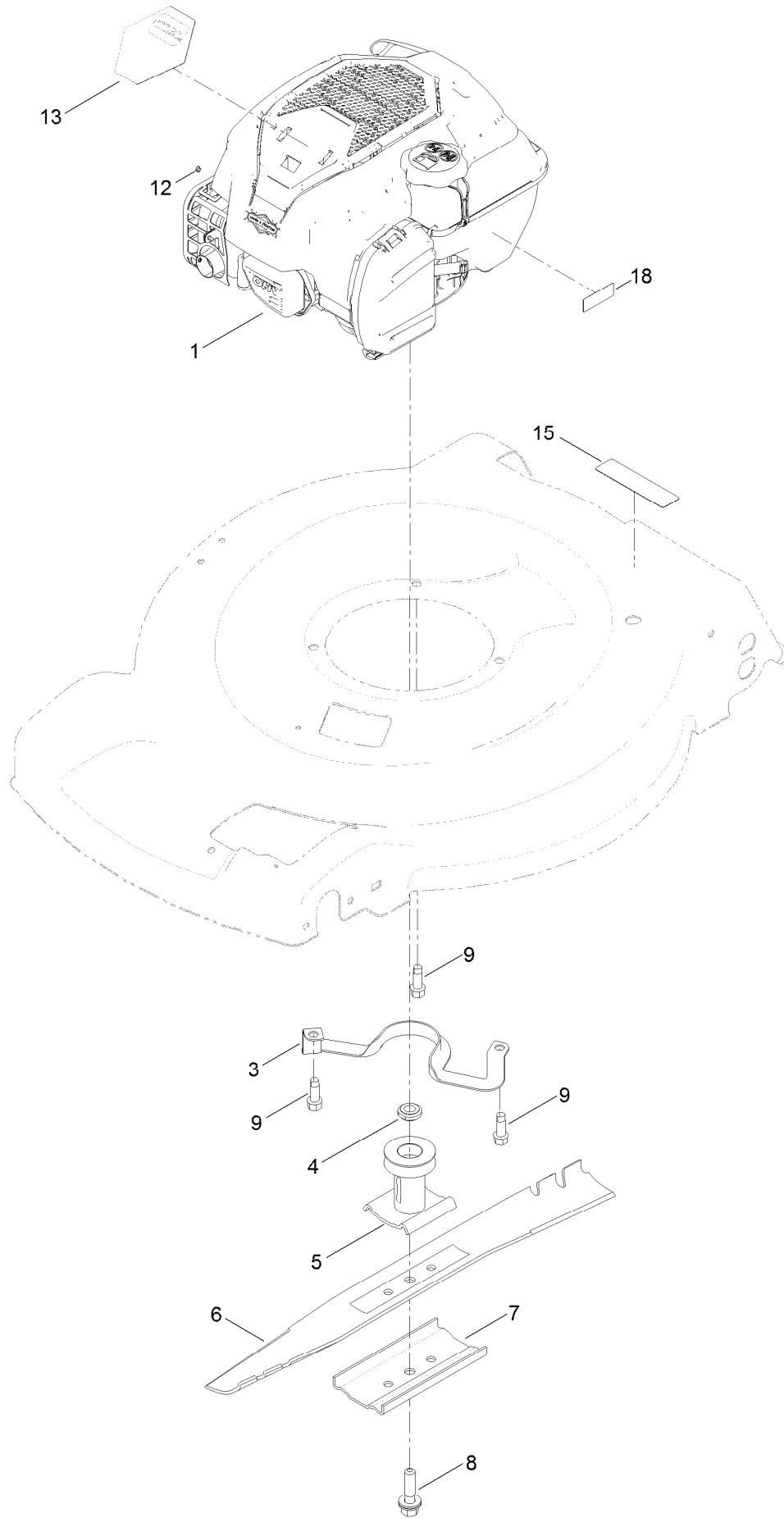
Rear Bag Assembly



Rear Bag Assembly (continued)

<i>Ref.</i>	<i>Part Number</i>	<i>Qty.</i>	<i>Description</i>
1	115-4664	1	Grass Bag ASM
2	132-4483-03	1	Frame-Bag

Engine and Blade Assembly



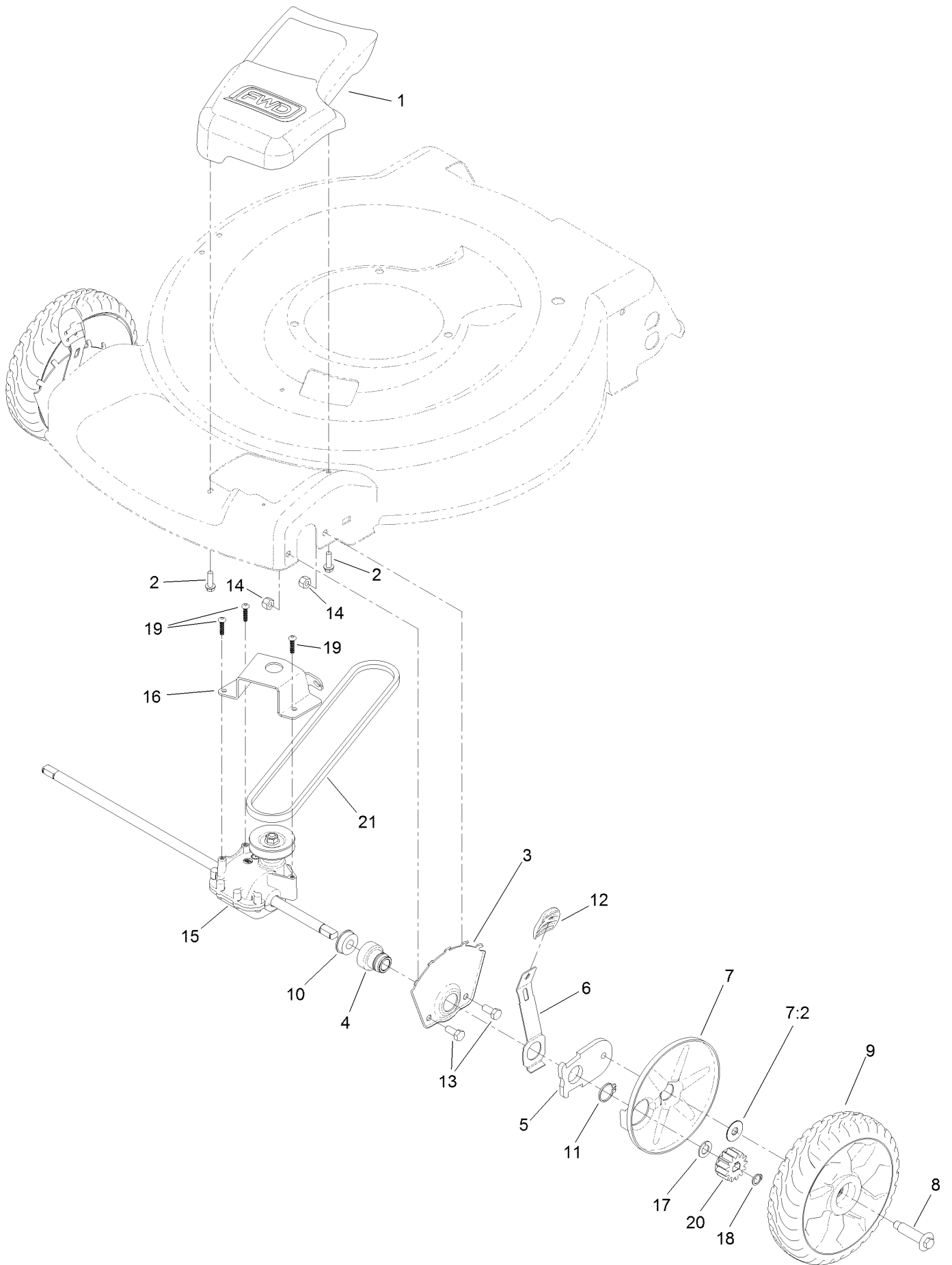
Engine and Blade Assembly (continued)

<i>Ref.</i>	<i>Part Number</i>	<i>Qty.</i>	<i>Description</i>	<i>Ref.</i>	<i>Part Number</i>	<i>Qty.</i>	<i>Description</i>
1		1	Engine-Briggs, 104M020131F1 ●■	8	125-2466	1	Bolt-Blade
3	105-3031-03	1	Guide-Belt	9	95-1726	3	Screw-Taptite
4	106-3999	1	Spacer-Driver	12	2210-316	1	Stop-Rope
5	106-3987	1	Driver-Blade	13	133-8105	1	Decal-Shroud
6	131-4547-03	1	Blade-22 Inch	15	117-2718	1	Decal-Arrester, Spark
7	108-3766-03	1	Support-Blade	18	133-8198	1	Decal-Fuel Level

● Not serviced separately

■ Obtain parts from www.briggsandstratton.com

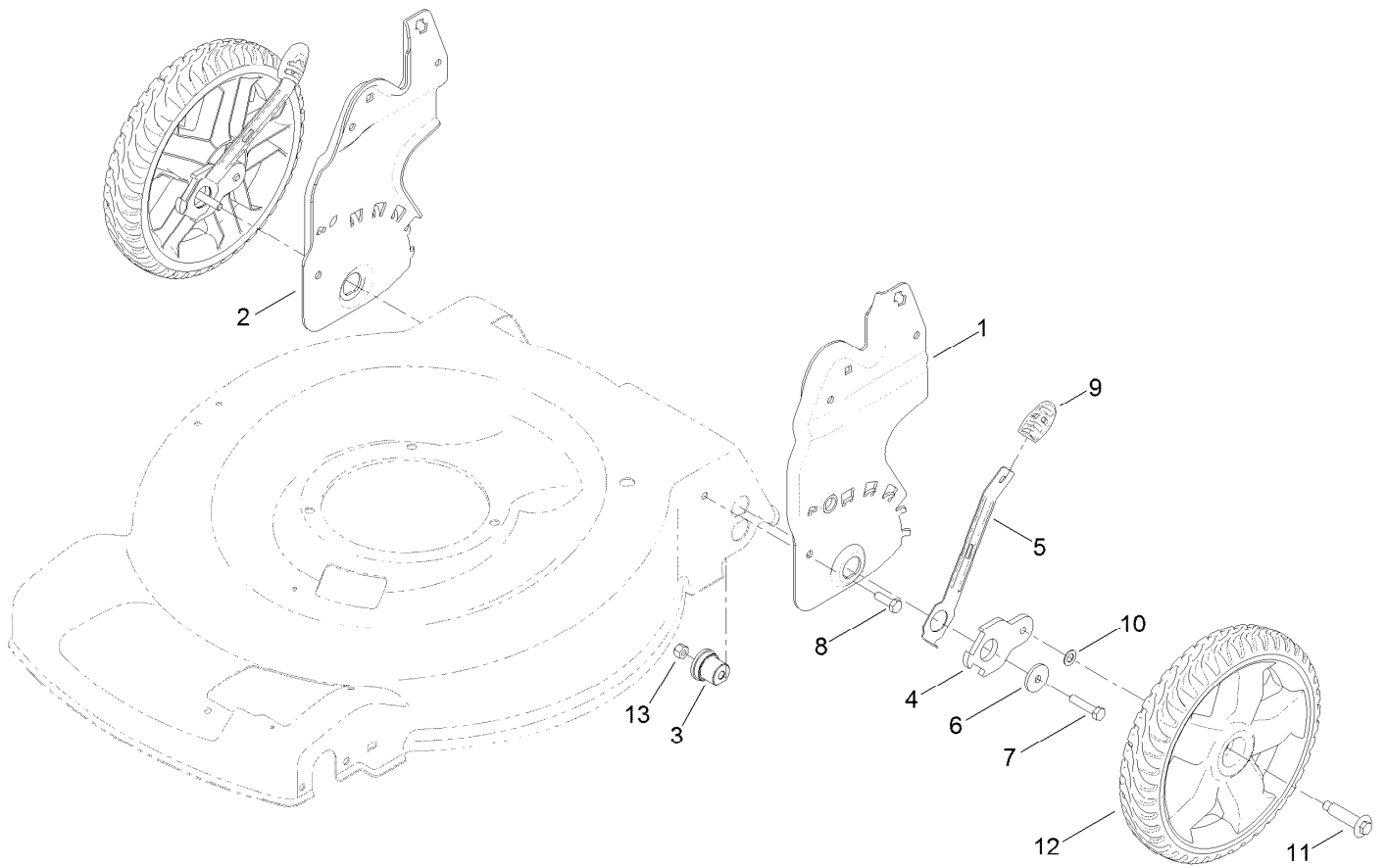
Transmission and Front Wheel Drive Assembly



Transmission and Front Wheel Drive Assembly (continued)

<i>Ref.</i>	<i>Part Number</i>	<i>Qty.</i>	<i>Description</i>	<i>Ref.</i>	<i>Part Number</i>	<i>Qty.</i>	<i>Description</i>
1	115-1305	1	Cover-Belt	11	32151-36	2	Ring-Retaining
2	46-8091	2	Screw-HWH	12	105-3042	2	Knob-Lever, HOC
3	115-1956-03	2	Plate-HOC, Front	13	322-3	4	Screw-HH
4	131-0836	2	Retainer-Bearing, HOC	14	3296-29	4	Nut-Lock, NI
5	105-1807	2	Arm-Pivot, Front	15	130-6733	1	Transmission ASM
6	105-1809	2	Arm-Spring	16	114-7978-03	1	Bracket-Transmission
7	127-6840	2	Wheel Cover ASM	17	110-7191	2	Washer-Thrust
7:2	614426	1	Washer-Stepped	18	32151-61	2	Ring-Retaining
8	614650	2	Bolt-Shoulder	19	108-7476	3	Screw-Plastite
9	119-0311	2	8 Inch Wheel ASM	20	131-0896	2	Gear-Pinion, 13T
10	104-8699	2	Bearing-Ball	21	117-1018	1	V-Belt

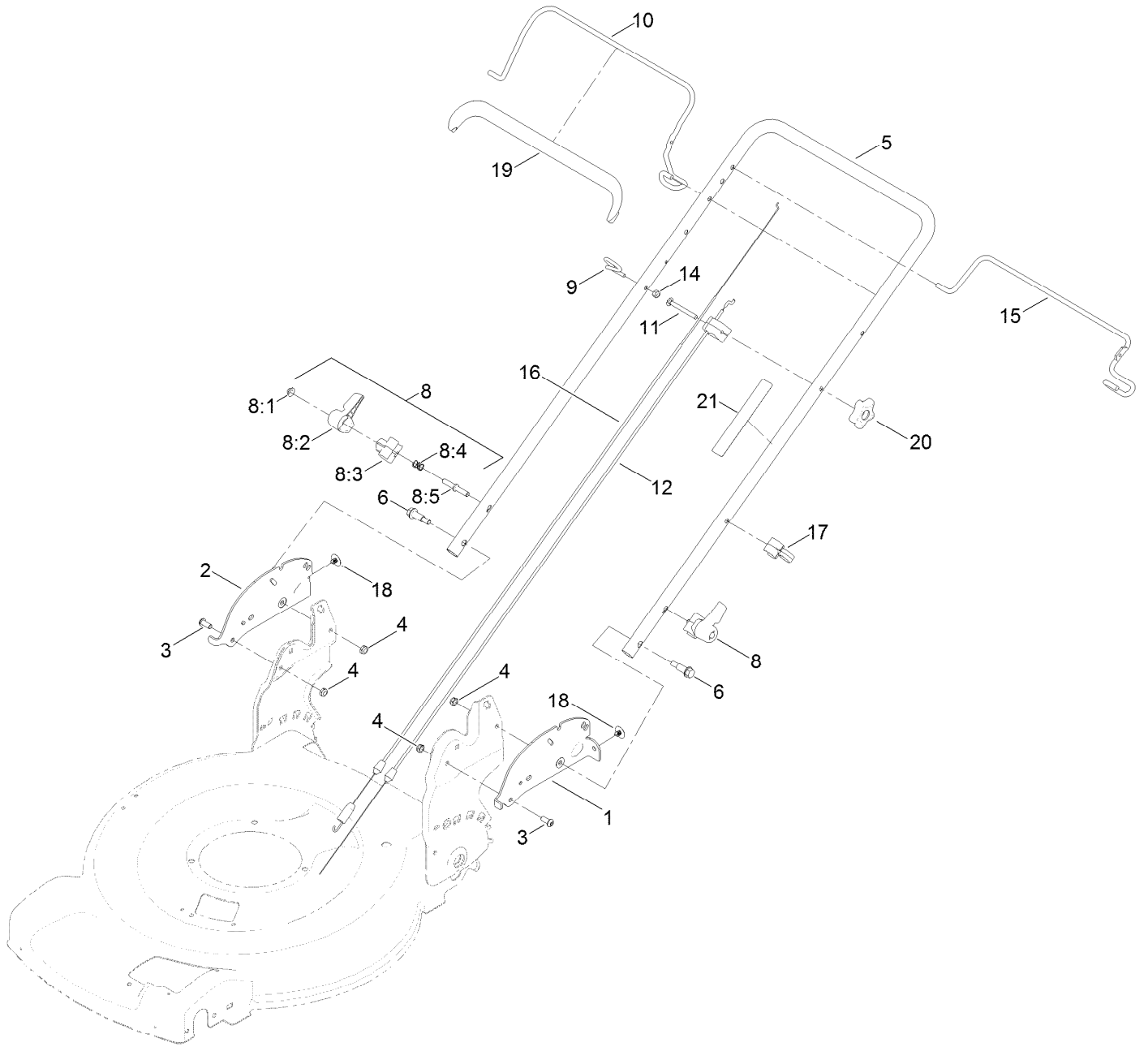
Height-of-Cut and Rear Wheel Assembly



Height-of-Cut and Rear Wheel Assembly (continued)

<i>Ref.</i>	<i>Part Number</i>	<i>Qty.</i>	<i>Description</i>	<i>Ref.</i>	<i>Part Number</i>	<i>Qty.</i>	<i>Description</i>
1	132-4490-03	1	Plate-HOC	8	322-5	2	Screw-HH
2	132-4491-03	1	Plate-HOC	9	105-3042	2	Knob-Lever, HOC
3	115-4651	2	Bushing-Mount, HOC	10	40-1940	2	Washer
4	114-7997	2	Arm-Pivot, Rear	11	614650	2	Bolt-Shoulder
5	115-2899	2	Arm-Spring, Rear	12	119-0313	2	11 Inch Wheel ASM
6	105-3048	2	Washer-Flat	13	3296-29	2	Nut-Lock, NI
7	322-7	2	Screw-HH				

Handle and Control Assembly



Handle and Control Assembly (continued)

<i>Ref.</i>	<i>Part Number</i>	<i>Qty.</i>	<i>Description</i>	<i>Ref.</i>	<i>Part Number</i>	<i>Qty.</i>	<i>Description</i>
1	132-4492-03	1	Plate-Handle, LH Rwd	9	86-9671	1	Guide-Rope
2	132-4493-03	1	Plate-Handle, RH Rwd	10	131-0821-03	1	Bail-Brake
3	3274-55	2	Screw-HSBH	11	136-7082	1	Screw-CARR
4	3296-47	4	Nut-Lock, NI	12	133-8109	1	Cable-Brake
5	131-4569-05	1	Handle	14	3296-73	1	Nut-Lock, NI
6	130-2344	2	Bolt-Shoulder	15	131-0835-03	1	Bail-Traction
8	115-2860	2	Quick Release ASM	16	119-2379	1	Cable-Traction
8:1	109-0917	1	Nut-Push	17	114-7988	1	Guide-Cable
8:2	114-7995	1	Lever	18	130-6721	2	Clip-Tree
8:3	114-7996	1	Anchor-Spring	19	127-6847	1	Cover-Bail
8:4	115-2858	1	Spring-Compression	20	131-0897	1	Knob-Handle, Locking
8:5	114-2675	1	Rod-Release	21	132-4470	1	Decal-Traction, Adjust

Attachments and Accessories

For 20339 22in Recycler Lawn Mower with SmartStow

Product Name	Model/Part
Replacement Bag	59305
Replacement Bag and Frame Kit.....	59307
22 Inch Atomic Blade	59534P

Notes:

Notes:

Notes:



Count on it.