

Features

- Molded wood.
- Round closed-front seat with lid.
- Polished Chrome hinges.



Codes/Standards




IAPMO/ANSI Z124.5

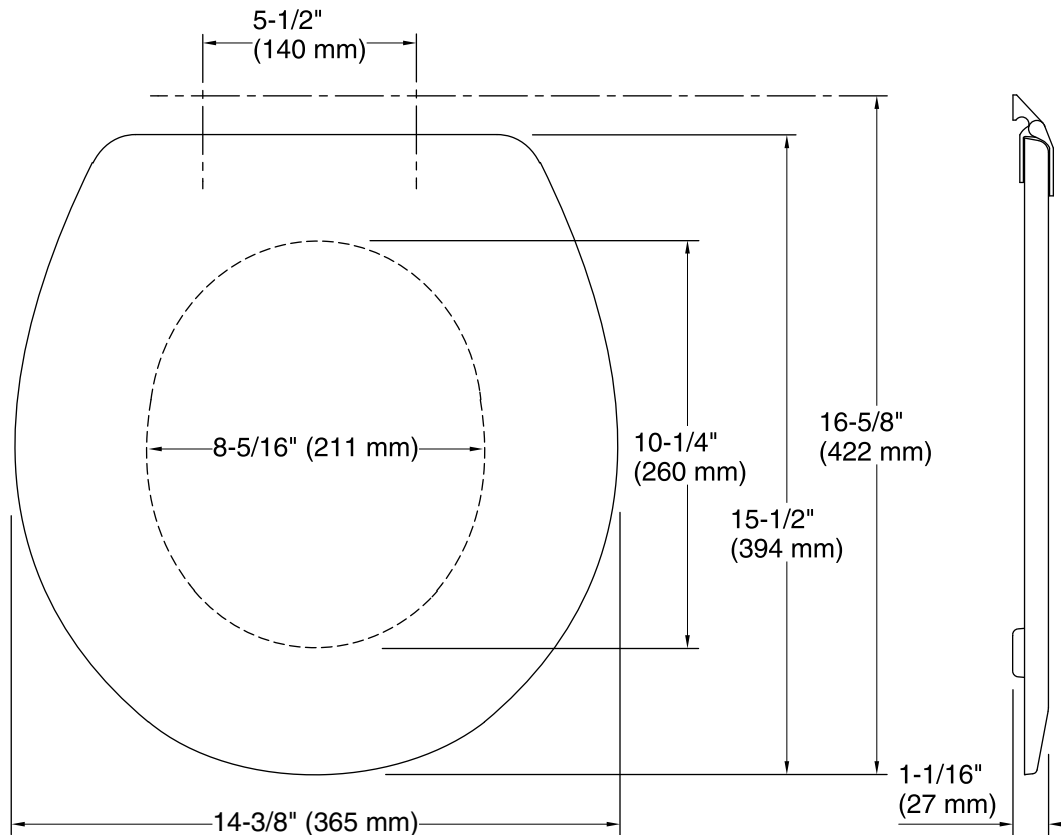
KOHLER® One-Year Limited Warranty

See website for detailed warranty information.

Available Color/Finishes

Color tiles intended for reference only.

Color	Code	Description
	0	White
	96	Biscuit
	47	Almond



Technical Information

All product dimensions are nominal.

Seat shape type: Round

Seat front type: Closed front

Seat-mounting holes: 5-1/2" (140 mm)

Notes

Install this product according to the installation guide.