

FRAMING SPECIFICATIONS

VFBC32A, VFBC36A , AND VFBC42A

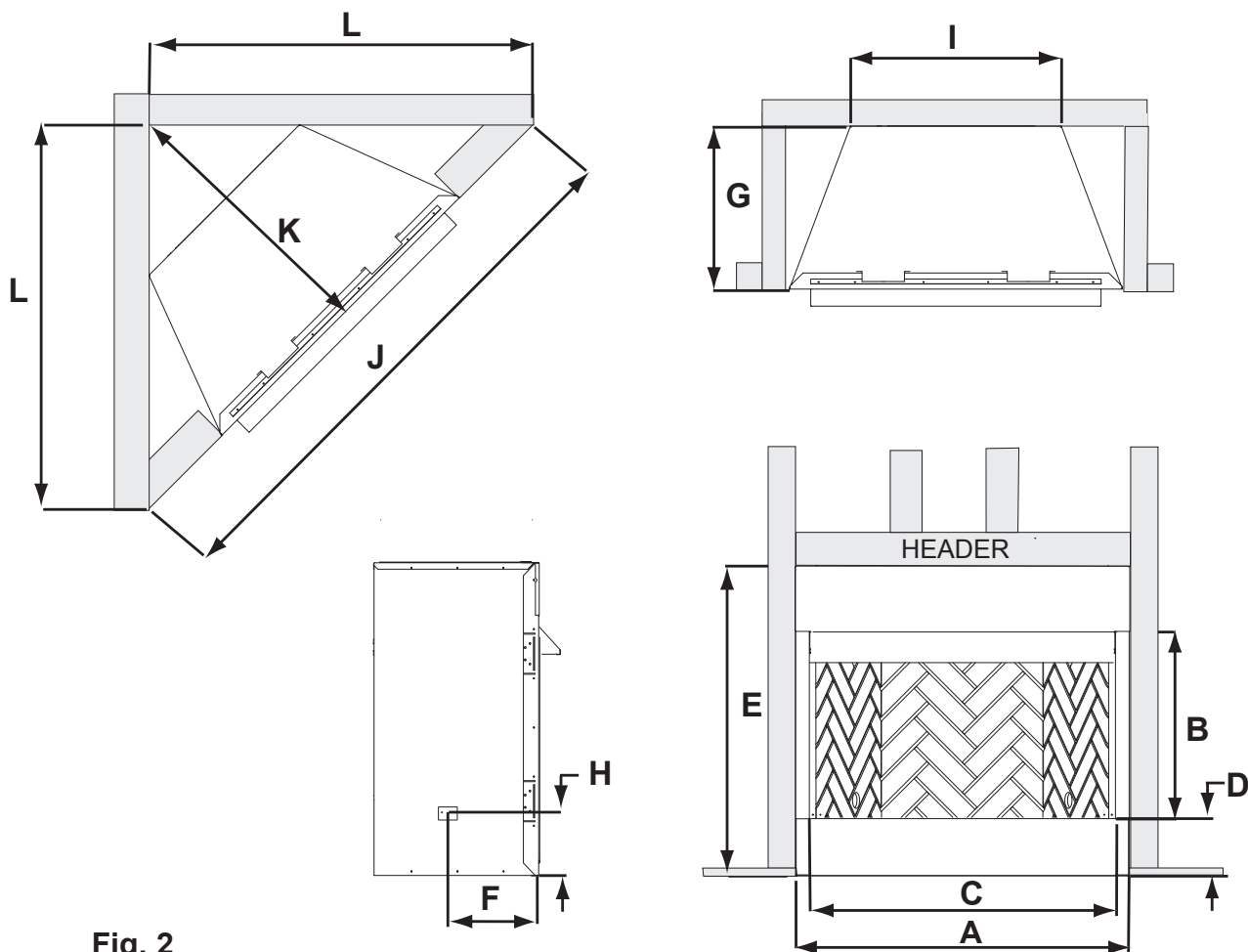


Fig. 2

| | VFBC 32A | VFBC 36A | VFBC 42A |
|---|-----------|-----------|-----------|
| A | 36 1/4" | 40 1/4" | 46 1/4" |
| B | 21 1/4" | 21 1/4" | 21 1/4" |
| C | 32" | 36" | 42" |
| D | 6" | 6" | 6" |
| E | 34 1/4" | 34 1/4" | 34 1/4" |
| F | 9" | 9" | 9" |
| G | 20 22/25" | 20 22/25" | 20 22/25" |
| H | 6 3/8" | 6 3/8" | 6 3/8" |
| I | 21 22/25" | 25 22/25" | 31 22/25" |
| J | 63 1/2" | 68" | 74 1/2" |
| K | 31 3/8" | 34" | 37" |
| L | 44.0" | 48 5/16" | 52 5/8" |