

**Features**

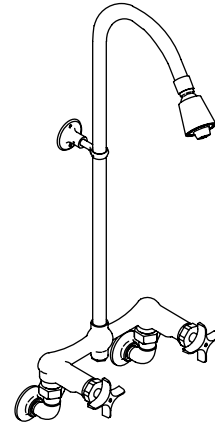
- Brass construction
- For 6" (15.2 cm) centers
- Brass valve bodies
- Valvet® valves
- Includes four-arm handles, showerhead, and wall-mount bracket

**Codes/Standards Applicable**

Specified model meets or exceeds the following:

- CSA International
- ASME A112.18.1/CSA B125.1
- IAPMO/UPC

**INDUSTRIAL EXPOSED SHOWER  
K-7252**



**Colors/Finishes**

- CP: Polished Chrome

**Specified Model:**

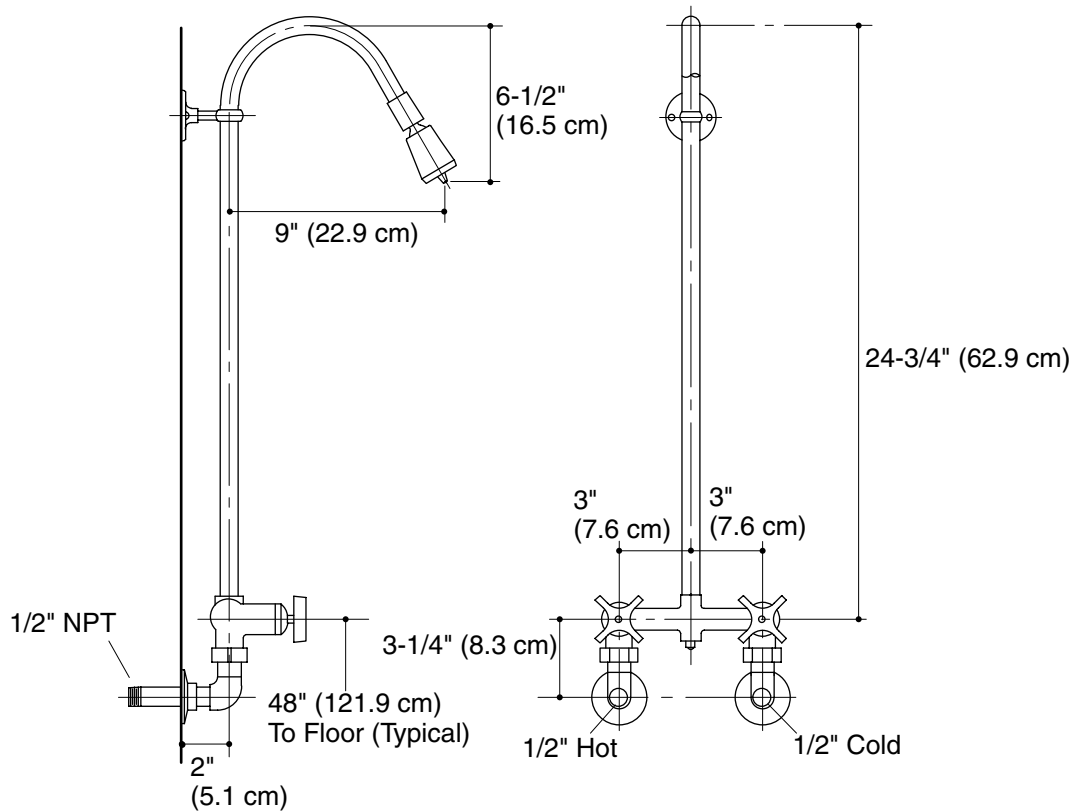
Model	Description	Colors/Finishes
K-7252	Industrial exposed shower	<input type="checkbox"/> CP

**Product Specification**

Two-handle industrial exposed shower shall be of brass construction. Faucet shall feature brass valve bodies. Faucet shall also feature Valvet valves. Product shall be for 6" (15.2 cm) centers. Product shall include four-arm handles, showerhead, and wall-mount bracket. Faucet shall be Kohler Model K-7252-CP.

## Installation Notes

Install this product according to the installation guide.



## Product Diagram