

Hampton Bay Lifetime Motor Warranty

The retailer warrants the fan motor to be free from defects in workmanship and material present at time of shipment from the factory for a lifetime after the date of purchase by the original purchaser. The retailer also warrants that all other fan parts, excluding any glass or plexiglass parts, to be free from defects in workmanship and material at the time of shipment from the factory for a period of one year after the date of purchase by the original purchaser. We agree to correct such defects without charge or at our option replace with a comparable or superior model if the product is returned to the retailer. To obtain warranty service, you must present a copy of the receipt as proof of purchase. All costs of removing and reinstalling the product are your responsibility. Damage to any part such as by accident or misuse or improper installation or by affixing any accessories, is not covered by this warranty. Because of varying climatic conditions in the United States this warranty does not cover any changes in brass finish, including rusting, pitting, corroding, tarnishing or peeling. Brass finishes of this type give their longest useful life when protected from varying weather conditions. A certain amount of wobble is normal and should not be considered a defect. Servicing performed by unauthorized persons shall render the warranty invalid. **There is no other express warranty. The retailer hereby disclaims any and all warranties, including but not limited to. Those of merchantability and fitness for a particular purpose to the extent permitted by law.** The duration of any implied warranty which cannot be disclaimed is limited to the time period as specified in the express warranty. Some states do not allow limitation on how long an implied warranty lasts, so the above limitation may not apply to you. **The retailer shall not be liable for incidental, consequential, or special damages arising out of or in connection with product use or performance except as may otherwise be accorded by law.** Some states do not allow the exclusion of incidental or consequential damages, so the above exclusion or limitation may not apply to you. This warranty gives specific legal rights, and you may also have other rights which vary from state to state. This warranty supersedes all prior warranties.

Date Purchased _____

Store Purchased _____

Model No. _____ 871-498

Serial No. _____

Vendor No. _____ 219054

UPC _____ 718212348918

Lifetime Motor Warranty

SAFETY RULES.....	1
PACKAGE CONTENTS	2
INSTALLING YOUR FAN.....	3
HANGING THE FAN.....	4
ELECTRICAL CONNECTIONS	5
INSTALLING THE WALL TRANSMITTER.....	6
FINISHING THE INSTALLATION.....	7
BLADE INSTALLATION	8
INSTALLING THE LIGHT BULB & GLASS SHADE.....	9
OPERATING THE WALL TRANSMITTER.....	10
CARE OF YOUR FAN.....	11
TROUBLESHOOTING.....	12
SPECIFICATIONS.....	13

Table of Contents

1. Before you begin installing the fan, shut power off at the circuit breaker or the fuse box.
2. Be cautious! Read all instructions and safety information before installing your new fan. Review accompanying assembly diagrams.
3. Make sure that all electrical connections comply with local codes, ordinances, or National Electrical Codes. Hire a qualified electrician or consult a do-it-yourself wiring handbook if you are unfamiliar with installing electrical wiring.
4. Make sure the installation site you choose allows the fan blades to rotate without any obstructions. Allow a minimum clearance of 7 feet from the floor and 18 inches from the tip of the blades to the wall.
5. If you are mounting the fan to a ceiling outlet box, use U.L. Listed metal octagonal outlet box marked "Acceptable for fan support". Secure the box directly to the building structure. The outlet box and its support must be able to support the moving weight of the fan (at least 50 lbs.) **Do not use a plastic box.**
6. Caution: To reduce the risk of personal injury use only the screws provided with the outlet box.
7. If you are mounting the fan to a joist, make sure it is able to support the moving weight of the fan (at least 50 lbs.).
8. After you install the fan, make sure that all mountings are secured to prevent the fan from falling.

9. Do not insert anything into the fan blades while the fan is operating.
10. To change the direction of the rotation of the blades the fan must be in operation mode.

ATTENTION: The Energy Policy Act of 2005 requires this fan to be equipped with a 190 watt limiting device. If lamping exceeds 190 watts, the ceiling fan's light kit will shut off automatically.

NOTE: The important safeguards and instructions appearing in this manual are not meant to cover all possible conditions and situations that may occur. It must be understood that common sense, caution and care are factors which can not be built into this product. These factors must be supplied by the person(s) installing, caring for and operating the unit.

NOTE
READ AND SAVE ALL INSTRUCTIONS!

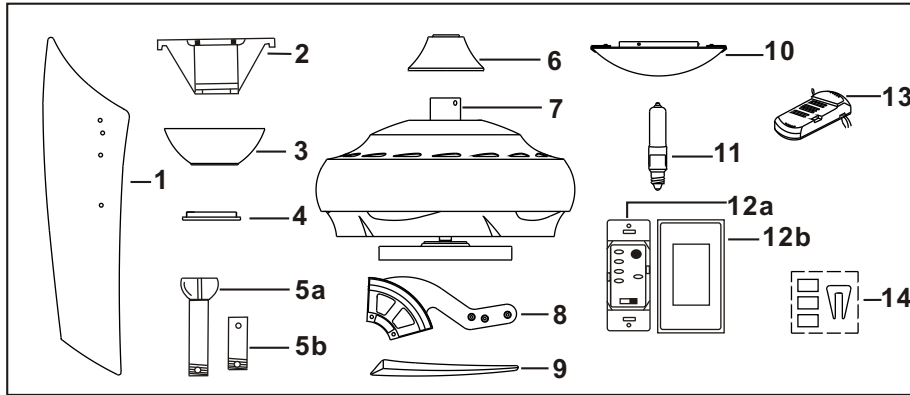
WARNING

TO REDUCE THE RISK OF FIRE, ELECTRIC SHOCK, OR OTHER PERSONAL INJURY, MOUNT FAN ONLY TO A U.L. LISTED OUTLET BOX OR SUPPORTING SYSTEM MARKED ACCEPTABLE FOR FAN SUPPORT AND USE MOUNTING SCREWS AND LOCK WASHERS PROVIDED WITH THE OUTLET BOX, MOST OUTLET BOXES COMMONLY USED FOR THE SUPPORT OF LIGHTING FIXTURES ARE NOT ACCEPTABLE FOR FAN SUPPORT AND NEED TO BE REPLACED. CONSULT A QUALIFIED ELECTRICIAN IF IN DOUBT.

TO REDUCE THE RISK OF PERSONAL INJURY, DO NOT BEND THE BLADE HOLDERS WHILE INSTALLING, BALANCING THE BLADES, OR CLEANING THE FAN. DO NOT INSERT FOREIGN OBJECTS BETWEEN ROTATING FAN BLADES.

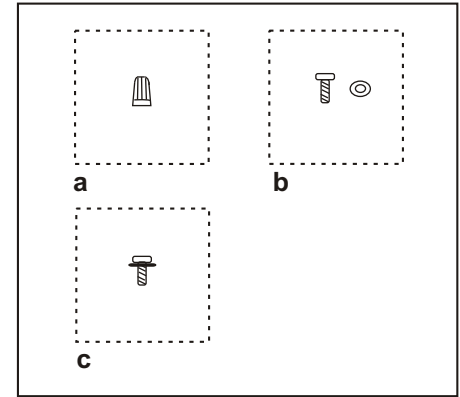
TO REDUCE THE RISK OF FIRE OR ELECTRIC SHOCK, DO NOT USE THIS FAN WITH ANY SOLID-STATE SPEED CONTROL DEVICE

1. Safety Rules



Unpack your fan and check the contents. You should have the following items;

- | | |
|---|---|
| 1. Fan blades (5) | 8. Blade holders (5) |
| 2. Hanger bracket | 9. Blade medallions (5) |
| 3. Canopy | 10. Light kit |
| 4. Canopy cover | 11. 100W Halogen bulb |
| 5a. Standard downrod assembly | 12a. Wall transmitter incl. 2 mounting screws and 3 wire nuts |
| 5b. Minimum-length downrod (for close to the ceiling installation only) | 12b. Wall plate w/2 mounting screws |
| 6. Coupling cover | 13. Receiver with 6 wire nuts |
| 7. Fan motor assembly | 14. Balancing kit |



- a. **Mounting hardware:**
Wire nuts (3)
- b. **Blade attachment hardware:**
Screws (16). Fiberwashers (16)
- c. **Blade holder hardware:**
Screws with lock washers (11)

Package Contents 2.

Tools Required

Phillips screw driver; slotted screw driver; step-ladder; wire cutters; electrical tape.

Mounting Options

If there isn't an existing mounting box, then read the following instructions. Disconnect the power by removing fuses or turning off circuit breakers.

Secure the outlet box directly to the building structure. Use appropriate fasteners and building materials. The outlet box and its support must be able to fully support the moving weight of the fan (at least 50 lbs.). Use a UL Listed metal outlet box. Do not use a plastic outlet box.

Figure 1, 2 and 3 are examples of different ways to mount the outlet box.

Note: You may need a longer downrod to maintain proper blade clearance when installing on a steep, sloped ceiling. Longer downrods are available from your Hampton Bay dealer.

To hang your fan where there is an existing fixture but no ceiling joist, you may need to install a hanger bar as shown in Fig. 4 (available at your Hampton Bay dealer).

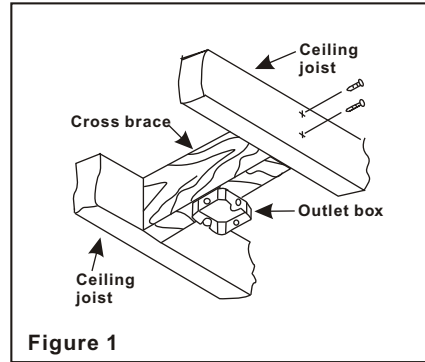


Figure 1

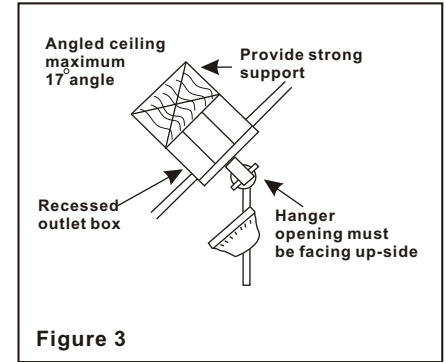


Figure 3

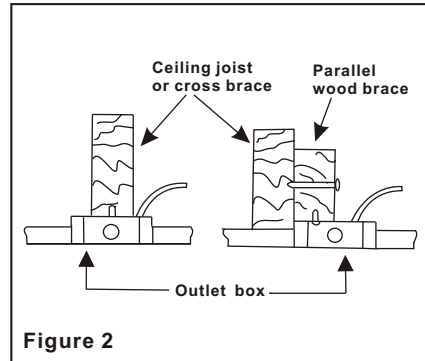


Figure 2

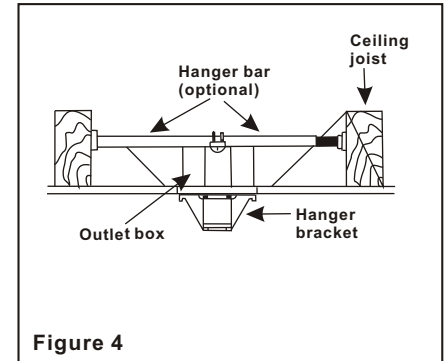


Figure 4

3. Installing Your Fan

REMEMBER to turn off the power. Follow the steps below to hang your fan properly:

Step 1. Secure the hanger bracket to the ceiling outlet box using screws included with your outlet box, lock washers included with the fan. (Fig.5)

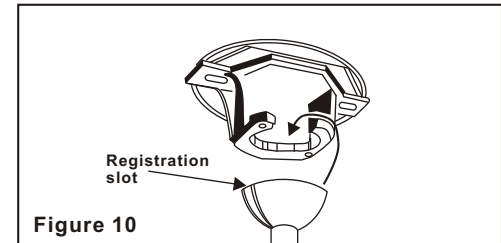
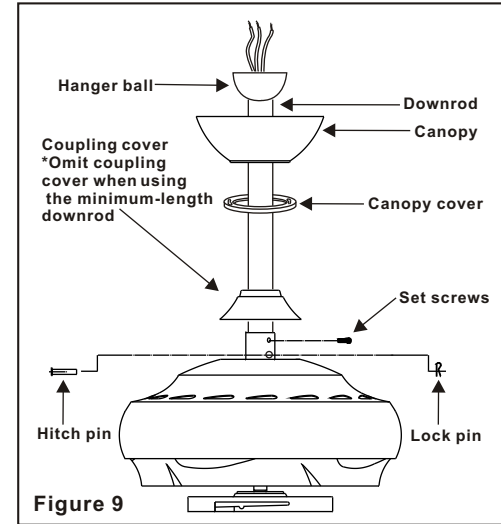
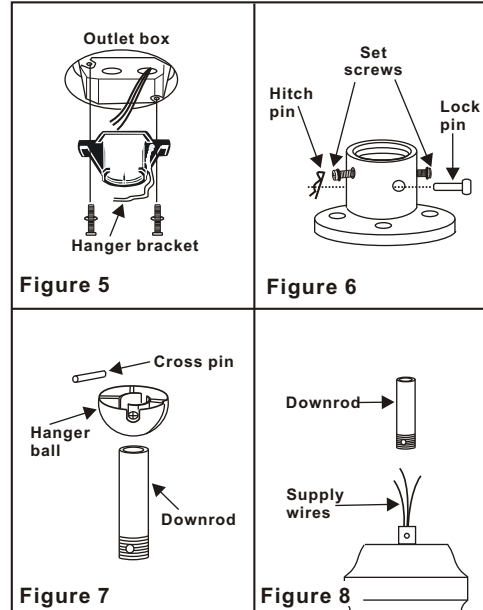
Step 2. Loosen the two set screws and remove the hitch pin and lock pin in the top coupling of the motor assembly. (Fig. 6)

Step 3. Remove hanger ball from downrod assembly by loosening set screw, removing the cross pin, and sliding ball off rod. (Fig.7)

Step 4. Carefully feed fan wires up through the downrod. (Fig. 8) Thread the rod into the coupling. Next line up holes and replace lock pin and hitch pin. Tighten set screws.

Step 5. Slip coupling cover, canopy cover and canopy onto downrod. (Fig. 9) Carefully reinstall hanger ball onto rod being sure that cross pin is in correct position, set screws are tighten and wires are not twisted.

Step 6. Now lift motor assembly into position and place hanger ball into hanger bracket. Rotate until the check groove has dropped into the registration slot and seats firmly. (Fig. 10) Rod should not rotate if this is done correctly.



Hanging the Fan 4.

WARNING: To avoid possible electrical shock, be sure electricity is turned off at the main fusebox before wiring.

NOTE: (Fig. 11) This remote control unit is equipped with 16 code combinations to prevent possible interference from or to other remote units. The frequency switches on your receiver and wall transmitter have been pre-set from the factory. Please recheck to make sure the switches from both units are set to the same positions. Any combination of settings will operate the fan as long as the wall transmitter and receiver are set to the same switch settings.

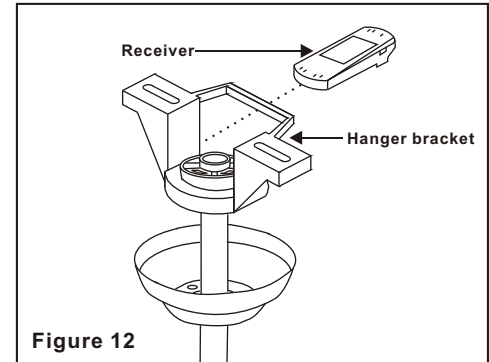
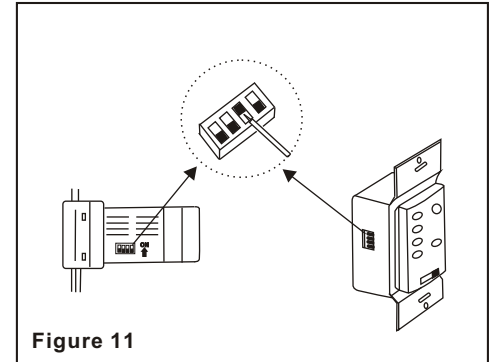
Step 1. (Fig. 12) Insert the receiver unit into the hanger bracket with the flat side of the receiver facing the ceiling.

Step 2. (Fig. 13 & 14) Motor to receiver Electrical Connections; Connect the Black wire from the fan to the Black wire marked "To Motor L" from the receiver. Connect the White wire from the fan to the White wire marked "To Motor N" from the receiver. Connect the Blue wire from the fan to the Blue wire marked "For Light" from the receiver.

Step 3. (Fig. 13 & 14) Receiver to house supply wires Electrical Connections; Connect the Black (Hot) wire from the outlet box to the Black wire marked "AC in L" from the receiver. Connect the White (neutral) wire from the outlet box to the white wire marked "AC in N" from the receiver. Secure all wire connections with the plastic wire nuts provided.

Step 4. (Fig. 13 & 14) If your outlet box has a ground wire (green or bare copper) connect the fan ground wire from hanger ball and hanger bracket to it; otherwise connect the fan ground wire from the hanger ball and hanger bracket together.

Step 5. After the connectors are made, secure connectors with electrical tape. Spread the wires apart so that the green and white wires are on one side of the outlet box and the black and blue wires are on the other. Make sure there are no loose strands or connections. Turn wire connectors upward and push the wiring into the outlet box.



5. Electrical Connections

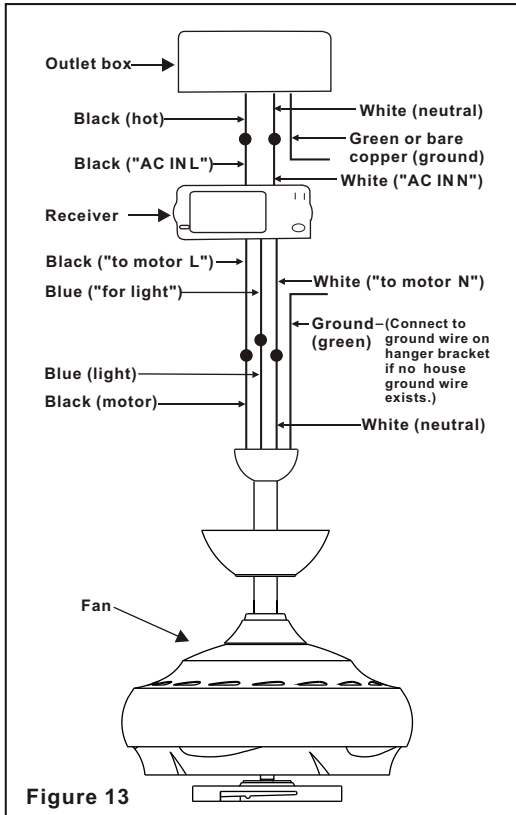


Figure 13

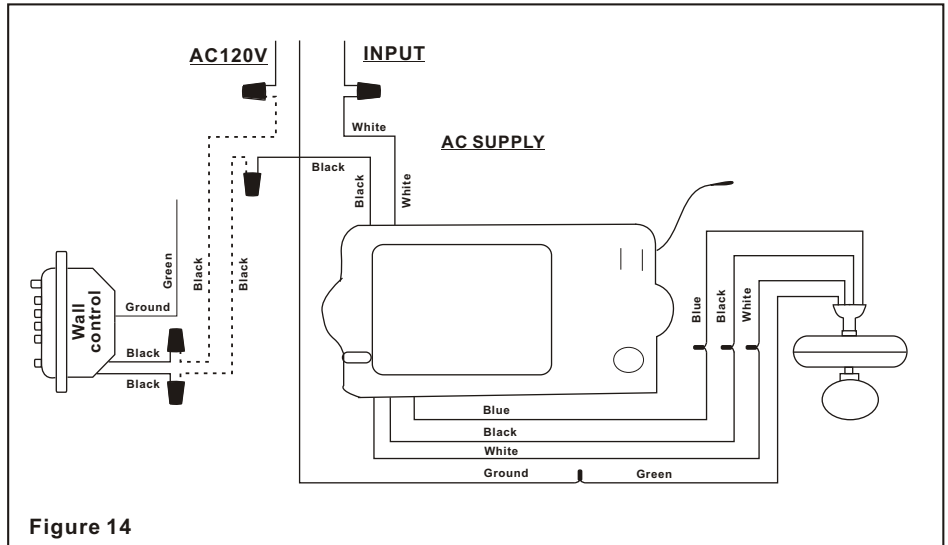


Figure 14

REMEMBER to Shut the Power Off at the Circuit Breaker or Fuse Box.

WARNING: HOOK UP IN "SERIES ONLY" DO NOT CONNECT THE HOT AND NEUTRAL WIRES OF ELECTRIC CIRCUIT TO THE TRANSMITTER WALL SWITCH - DAMAGE TO THE SWITCH AND POSSIBLE FIRE COULD OCCUR.

Step 1. Remove the existing wall plate and switch from the wall junction box.

Step 2. Make the electrical connections as shown in (Fig. 14). If your outlet box has a ground wire (green or bare copper) connect the wall transmitter's ground wire to it; otherwise connect the wall transmitter's ground wire directly to one of the screws from the outlet box.

Step 3. (Fig. 15) Carefully tuck the wire connections inside the junction box. Secure the wall transmitter with the two screws provided. Attach the wallplate over the wall transmitter and secure with the two screws provided.

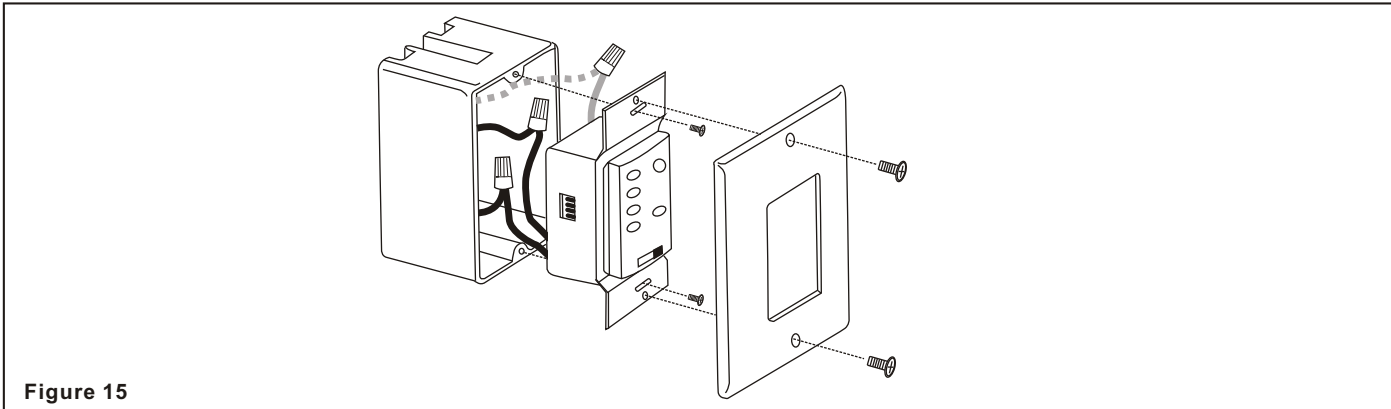


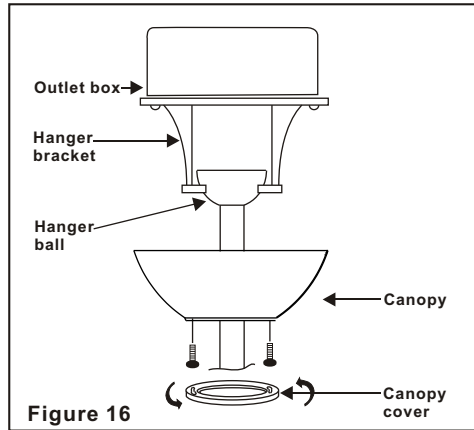
Figure 15

6. Installing the Wall Transmitter

7. Finishing the Installation

Step 1. Tuck connections neatly into ceiling outlet box.

Step 2. Slide the canopy up to ceiling and over the two crews on hanger bracket. Rotate canopy clockwise. Next, while holding the canopy with one hand, slide the canopy cover over the screws and rotate clockwise until tight. **Note:** adjust the canopy screws as necessary until the canopy and canopy cover are snug. (Fig. 16)

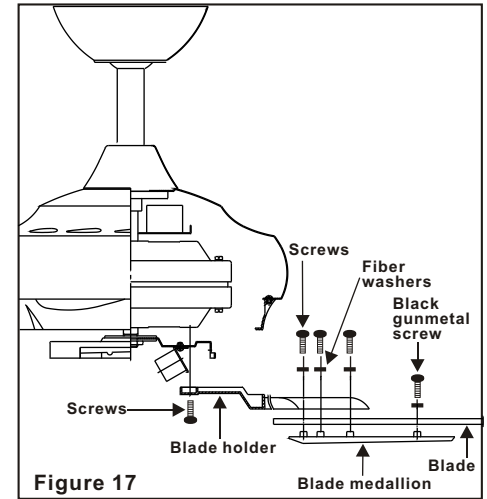


8. Blade Installation

Step 1. Attach fan blade to the blade holder and blade medallion using the 4 screws and fiber washers provided. (3 screws from the accessory bag, 1 black gunmetal screw pre-attached to the blade medallion). Tighten all 4 screws securely. (Fig. 17)

Step 2. Align holes from blade holder to motor and secure with 2 screws provided. Repeat procedure with remaining blades. (Fig. 17)

All blade sets are grouped together by weight. Because natural woods vary in density, the fan may wobble even though the blades are weight matched.

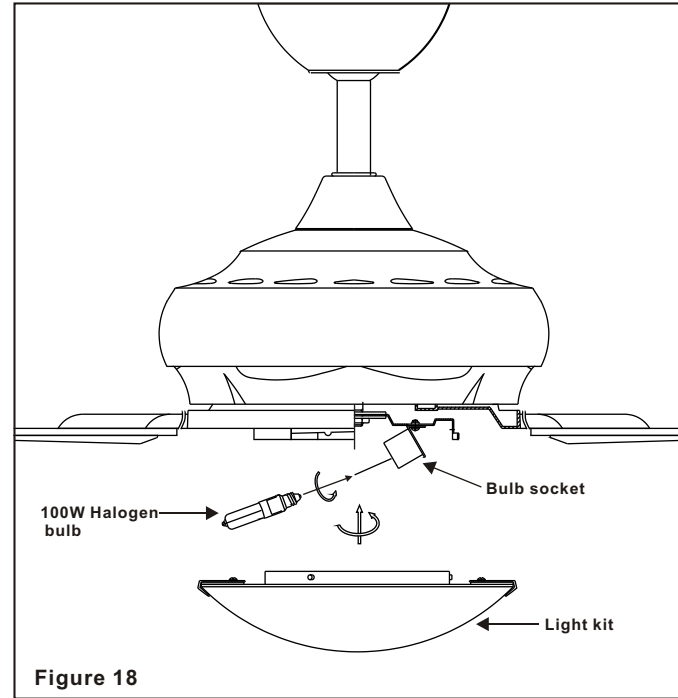


WARNING: Shut off the power supply before removing or replacing lamp. In handling of halogen bulb, care should be taken not to touch it with your bare hands. Oil residue will shorten the life of the halogen bulb. If you accidentally come into contact, wipe thoroughly with a clean, lint-free, cotton cloth. Allow the bulb to cool off for 10 minutes before changing the bulb. Use light bulb in accordance with the fan's specification. **TO REDUCE THE RISK OF FIRE DO NOT EXCEED MAXIMUM WATTAGE RATING.**

ATTENTION: The Energy Policy Act of 2005 requires this fan to be equipped with a 190 watt limiting device. If lamping exceeds 190 watts, the ceiling fan's light kit will shut off automatically.

Step 1. Install 100W halogen bulb (included). (Fig. 18).

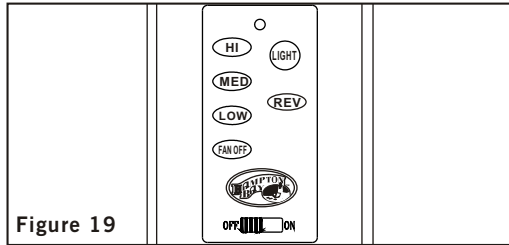
Step 2. Raise light kit up against bottom of fan housing and secure it to fan by twisting glass clockwise until snug. **DO NOT OVERTIGHTEN.** (Fig. 18)



9. Installing the Light Bulb & Glass Shade

Restore power to ceiling fan and test for proper operation.

1. "**LOW, MED, HI**" buttons:
These three buttons are used to set the fan speed as follows:
LOW= Low speed **MED**= Medium speed
HI= High speed
2. "**FAN OFF**" button:
This button turns the fan off.
3. The "**LIGHT**" button turns the light ON or OFF and also controls the brightness setting. Press and release the button to turn the light ON or OFF. Press and hold the button to set the desired brightness. The light key has an auto-resume, it will stay at the same brightness as the last time it was turned off.



4. **REV** Button: This button is used to change the direction of the rotation of the blades; forward for warm weather or reverse for warm weather.

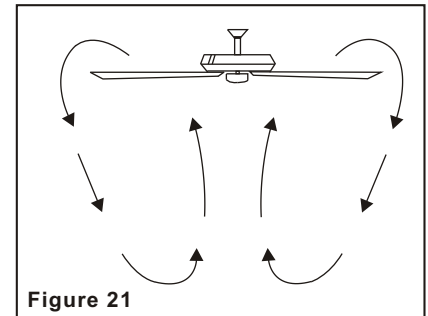
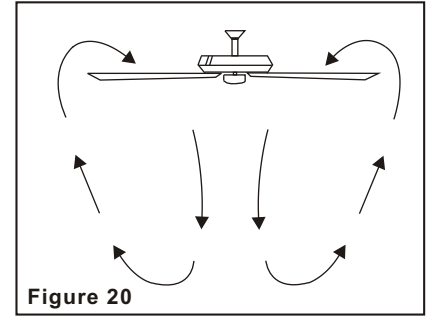
5. "**OFF-ON**" Slide Button:
This button turns the power Off and On to the Fan and Light(s).

Speed settings for warm or cold weather depend on factors such as room size, ceiling height and number of fans.

NOTE: To change the direction of the rotation of the blades the fan must be in operation mode.

Warm Weather (forward) A **DOWNWARD** airflow creates a cooling effect as shown in Figure 20. This allows you to set your air conditioner on a warmer setting without affecting your comfort.

Cool Weather (Reverse) An **UPWARD** airflow moves warmer air off the ceiling area as shown in Figure 21. This allows you to set your heating unit on a cooler setting without affecting your comfort.



Operating the Wall Transmitter 10.

Here are some suggestions to help you maintain your fan

1. Because of the fan's natural movement, some connections may become loose. Check the support connections, brackets, and blade attachments twice a year. Make sure they are secure. (It is not necessary to remove fan from ceiling.)

2. Clean your fan periodically to help maintain its new appearance over the years. Use only a soft brush or lint-free cloth to avoid scratching the finish. The plating is sealed with a lacquer to minimize discoloration or tarnishing. Do not use water when cleaning. This could damage the motor, or the wood, or possibly cause an electrical shock.

3. Use only a soft brush or lint-free cloth to avoid scratching the finish. The plating is sealed with a lacquer to minimize discoloration or tarnishing.

4. You can apply a light coat of furniture polish to the wood blades for additional protection and enhanced beauty. Cover small scratches with a light application of shoe polish.

5. There is no need to oil your fan. The motor has permanently lubricated bearings.

6. All glass should be cleaned using lukewarm soapy water and a soft cloth or sponge.

DO NOT IMMERSE GLASS IN HOT WATER. DO NOT PUT GLASS INTO AN AUTOMATIC DISHWASHER.

WARNING: Make sure the power is off at the electrical panel box Before you attempt any repairs. Refer to the section, "Making Electrical Connections".

For any additional information on your Hampton Bay Ceiling Fan, please write to:

**THE HAMPTON BAY FAN & LIGHTING CO.
P. O. Box 395
Norco, CA 92860**

Call toll free 1-800-527-0998

11. Care of Your Fan

Problem

Solution

Fan will not start.

1. Check circuit fuses or breakers.
2. Check line wire connections to the fan and switch wire connections in the switch housing.
CAUTION: Make sure main power is off.
3. Check to make sure the dip switches from the transmitter and receiver are set to the same frequency.

Fan sounds noisy.

1. Make sure all motor housing screws are snug.
2. Make sure the screws that attach the fan blade bracket to the motor hub is tight.
3. Make sure wire nut connections are not rubbing against each other or the interior wall of the switch housing.
CAUTION: Make sure main power is off.
4. Allow a 24-hour "breaking-in" period. Most noise associated with a new fan disappears during this time.
5. If using an optional light kit, make sure the screws securing the glassware are tight. Check that the light bulb is also secure.
6. Do not connect the fan with a wall mounted variable speed control (s)
7. Make sure the upper canopy is a short distance from the ceiling. It should not touch the ceiling.

Remote control malfunction.

1. Do not connect the fan with a wall mounted variable speed control (s).
2. Check to make sure the dip switches from the transmitter and receiver are set to the same frequency.

Lights shut off and will not come back on.

1. This unit is equipped with a wattage limiting device. Lamping in excess of 190 watts will disable your ceiling fan's light kit. To reset your light kit you must turn the power off and re-lamp, keeping the wattage under 190 watts. Restore power to your ceiling fan and continue normal operation.

Fan Wobble.

- NOTE:** All blade sets are grouped by weight. Because wood and plastic blades vary in density, the fan may wobble even though blades are matched.
1. Make sure all blade attachment screws are tight.
 2. Make sure Outlet box is secured to building structure, if necessary use the wood screws provided to further secure outlet box to joist.
 3. Make sure Hanger Bracket is secure to the outlet box, screws are tight.
 4. Use the balancing kit provided if the wobble is excessive (follow instructions included with balancing kit)

Troubleshooting 12.

Fan Size	Speed	Volts	Amps	Watts	RPM	CFM	N.W.	G.W.	C.F.
54"	Low	120	0.37	16	65	1035	11.80 kgs (25.98lbs)	13.30 kgs (29.29 lbs)	2.15'
	Medium	120	0.56	41	115	3100			
	High	120	0.65	78	170	5600			

These are typical readings. Your actual fan may vary. They do not include Amps and Wattage used by the light kit.

Distributed by
Your Other Warehouse, LLC
12100 Little Cayman Dr.
Baton Rouge, LA 70809

13. Specifications