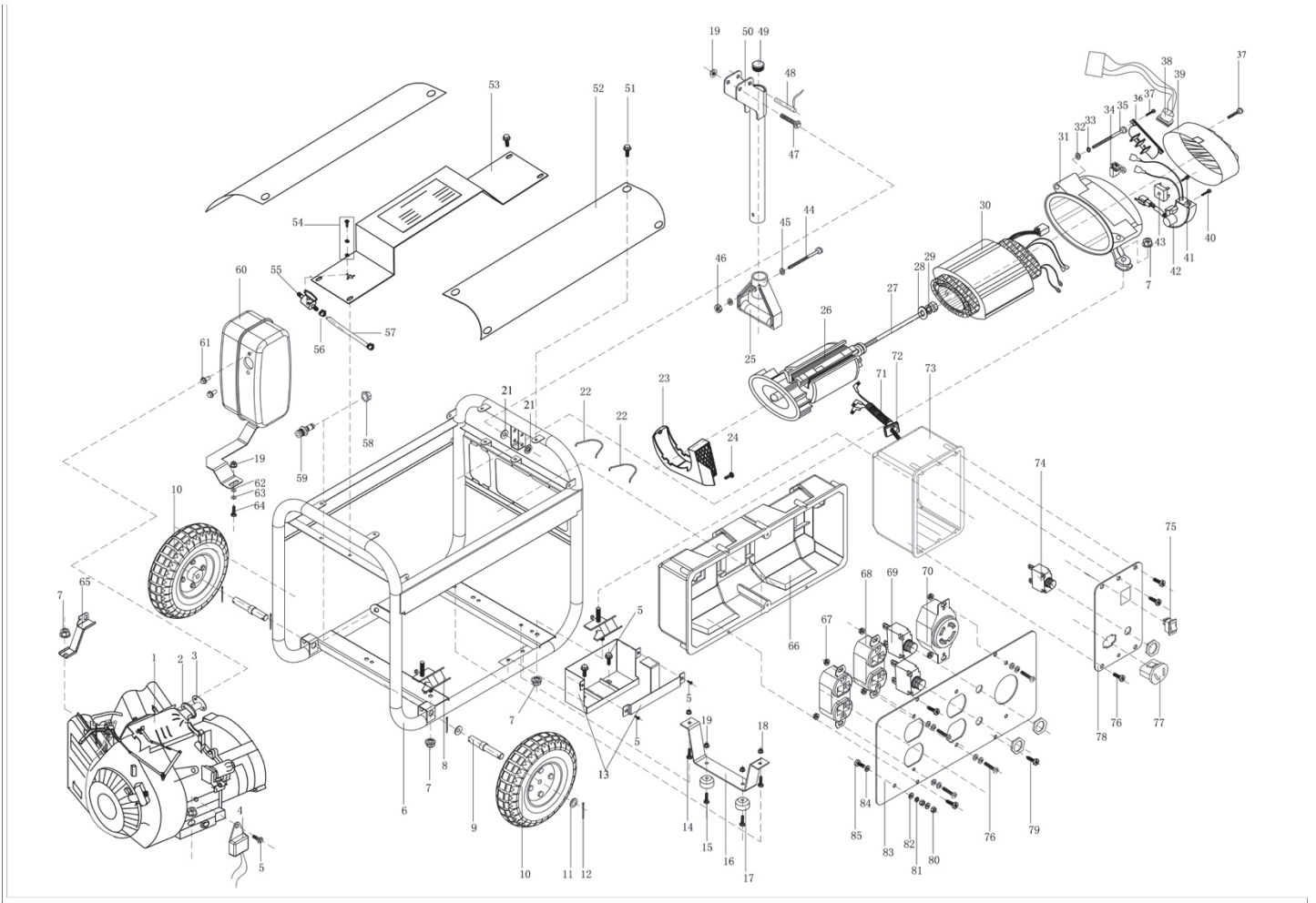


# PARTS DIAGRAM



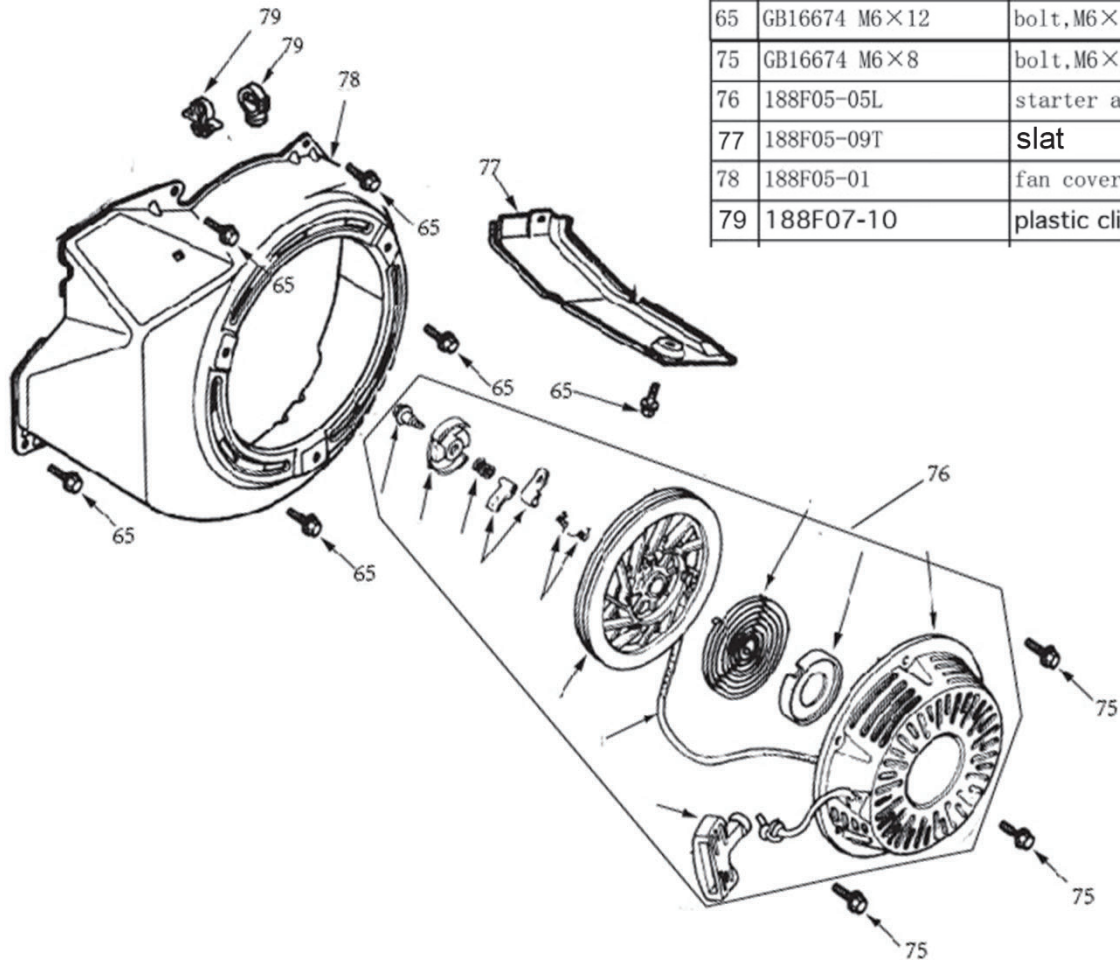
## PARTS LIST

Item #	Part #		Description	Qty
1	C188F		Engine Assembly	1
2	G014F-07-5		Gasket outlet	2
3	G023F-07-01		Exhaust pipe	1
4	G04-11-09		Signal Magnifier	1
5	GB/T5789	M6×12	Bolt M6×12	7
6	G023F-02-01		Frame Assy	1
7	GB/T6177.1	M10*1.25	Nut M10*1.25	8
8	G014F-00-01		Shock Absorber	4
9	G023F-60-3		Wheel axel	2
10	G014F-60-03		Wheel kit 10"	2
11	GB/T95	φ16	Washer φ27*φ16.5*2	2
12	GB/T91		Pin φ3.2*40	4
13	G023F-60-02		Storage Battery Tray	1
14	GB/T16674	M8×20	Bolt M8×20	2
15	GB/T5789	M8×25	Bolt M8×25	2
16	G023F-60-2		Feet	1
17	G002D-00-03		Underprop	2
18	GB/T6177.1	M8	Nut M8	6
19	GB/T6184	M8	Nut M8	3
20	GB/T6177.1	M6	Nut M6	4
21	G010G-60-4		washer	2
22	G023F-00-1		Wire Clip	2
23	G014F-01-05		Cover	1
24	GB/T5789	M6×10	Bolt M6×10	3
25	G023F-60-1		Handle unit	1
26	G014F-01-02		Rotor	1
27	GB/T5782	M10×265	Bolt M10*1.25*265mm	1
28	GB/T95	10	Plain washer 10	1
29	GB/T93	10	Spring washer 10	1
30	G023F-01-01		Stator	1
31	G014F-01-1		Rear Cover	1
32	GB/T95	6	Washer 6	4
33	GB/T93	6	Spring washer 6	4
34	G014F-01-03		Brush Assembly	1
35	GB/T16674	M6×185	Bolt M6×185	4
36	G010G-01-03		Connecting plate	1
37	GB/T16674	M5×12	Screw M5×12	5
38	G010G-11-2		Boot	1
39	G014F-01-2		Cover	1
40	GB/T16674	M5×16	Screw M5×16	3
41	GB/T9074.4	M5×20	Screw M5*20	1
42	G014F-01-04	AVR	Voltage regulator	1
43	G010G-11-07		BRIDGE RECTIFIER	1
44	GB/T818	M5×50	Screw M5*50	1
45	GB/T95	5	Washer 5(φ16*φ5*1)	2
46	GB/T6184	M5	Nut M5	1
47	GB/T5789	M8×50	Bolt M8*50	1
48		CG500-020400T2	Pin	1
49		G023F-60-4	Handle unit	1
50		G023F-60-01	Handle unit	1
51	M6×25	GB/T5789	Bolt M6×12	12
52		020200	Frame Cover	2

53		020201	Middle Cover	1
54		GB/T9074	Bolt M4×8	2
55		CG500-021700	Engine Switch	1
56		CG500-000007	Clip	4
57		CG500-020202	Rubber Tube	1
58		CG500-	Nut	1
59		CG500-031604	Gas Inlet	1
60		G023F-07-01	Muffler	1
61	M8×20	GB/T5783	Bolt M8×20	2
62	8	GB/T93	Spring washer 8	5
63	8	GB/T95	Washer 8	8
64	M8×40	GB/T5789	Bolt M8×40	1
65		G014F-00-02	Air Cleaner Stay	1
66		G023F-11-4	Control panel case	1
67	4	GB/T6177.1	Nut M4	6
68		G023F-11-03	AC SOCKET (B-016)	2
69		G023F-11-04	PROTECTOR 25A	2
70		G023F-11-05	AC SOCKET (B-017)	1
71		CG650-030100	Main Wire Harness Assembly	1
72		CG500-030202	Boot,AC output wire	1
73		G023F-11-5	Control panel case	1
74		G020H-11-07	PROTECTOR 10A	1
75		CG250-032200	Electrical Starter	1
76	M4*12	GB/T818	Screw M4*12	10
77		G010G-11-05	DC SOCKET	1
78		G023F-11-2	Control panel	1
79		GB/T846	Screw ST3.5*13	8
80	M6	GB/T6170	Nut M6	2
81	6	GB/T93	Spring washer 6	1
82	6	GB/T95	Washer 6	2
83		G023F-11-1	Control panel	1
84	6	GB/T862.1	Spring washer 6	1
85	M6×20	GB/T5783	Bolt M6×20	1

# PARTS DIAGRAM

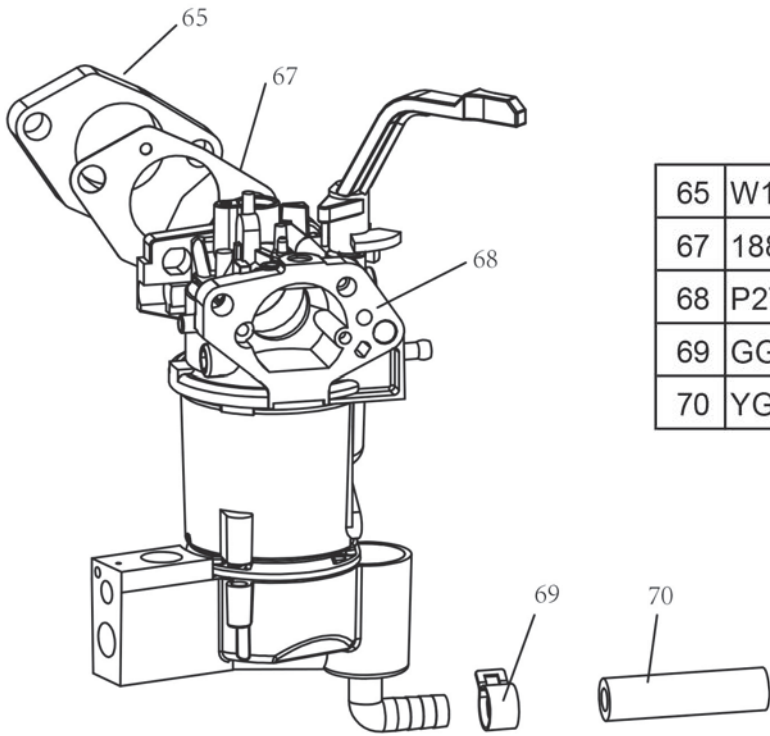
## RECOIL STARTER ASSEMBLY



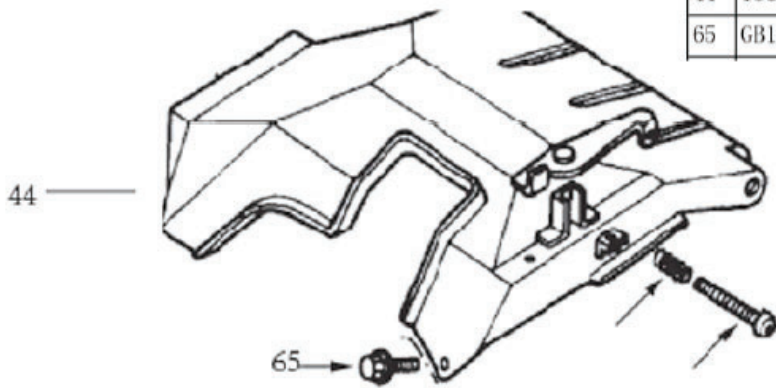
65	GB16674 M6×12	bolt, M6×12	6
75	GB16674 M6×8	bolt, M6×8	3
76	188F05-05L	starter assy	1
77	188F05-09T	slat	1
78	188F05-01	fan cover	1
79	188F07-10	plastic clip	2

# PARTS DIAGRAM

## CARBURETOR ASSEMBLY



65	W188F07-02	insulator	1
67	188F07-03	gasket,carburetor	1
68	P27LP-B-EPA	propane mixer	1
69	GG-14	hose clip	1
70	YG-8×13	gas hose	1

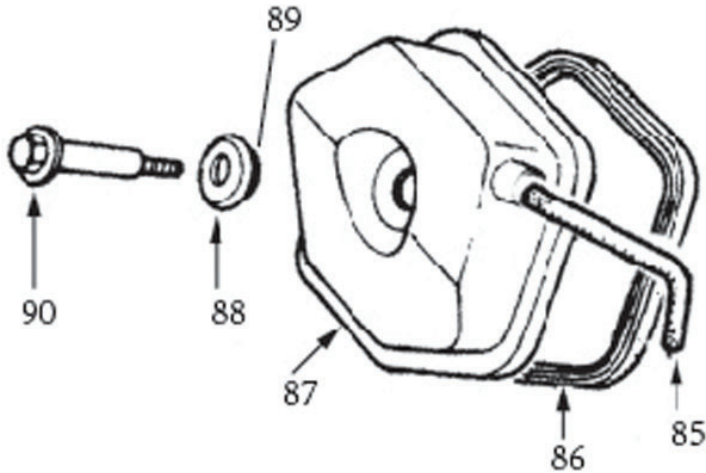


44	188F05-03	coverage, upper cylinder	1
65	GB16674 M6×12	bolt, M6×12	1



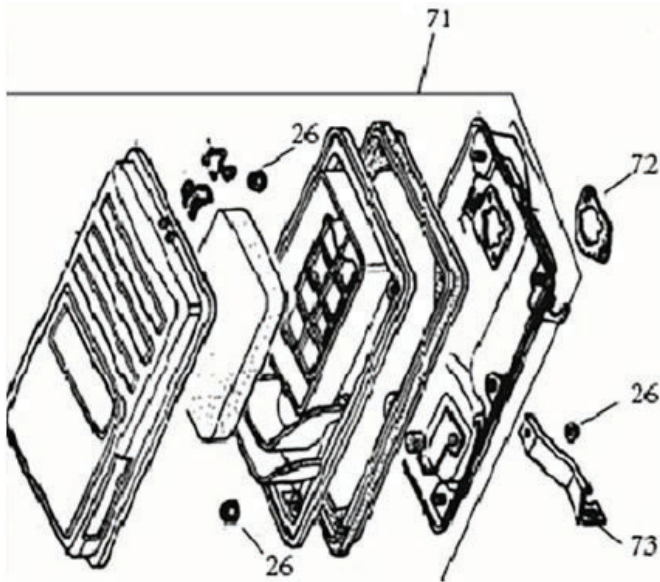
# PARTS DIAGRAM

## VALVE COVER



85	188F02-06	Ventilate Tube	1
86	188F02-05	gasket,head cover	1
87	188F02-04L	cylinder head cover	1
88	188F02-18	bolt seal	1
89	188F02-19	bolt plate	1
90	188F02-20	bolt,cylinder head cover	1

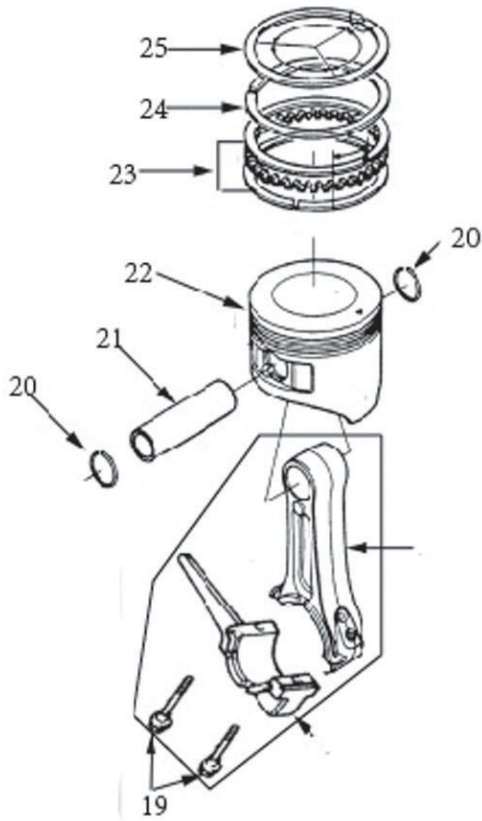
## AIR FILTER ASSEMBLY



26	GB6177.1 M6	nut,M6	3
71	188F07-05B-EPA	air cleaner	1
72	188F07-04	gasket,air cleaner	2
73	188F07-05.05	bracket,air cleaner	1

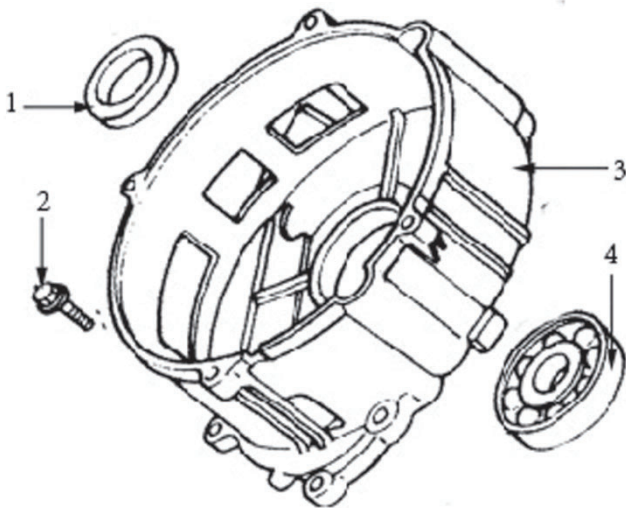
# PARTS DIAGRAM

## PISTON ASSEMBLY



19	188F03-02	connecting rod	1
20	188F03-08	O-collar ,piston pin	2
21	188F03-07	piston pin	1
22	190F03-03-1.2	piston	1
23	190F03-06-2.5×2.65	piston ring,oil	1
24	190F03-05-1.2×3.3	piston ring,2	1
25	190F03-04-1.2×3.1	piston ring,1	1

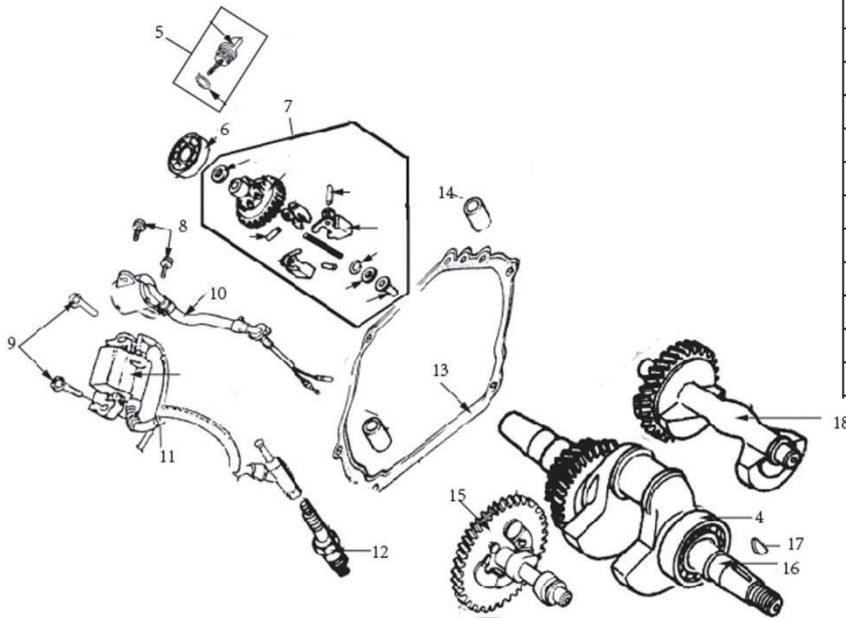
## CRANK CASE COVER



1	FB35527F-GB13871	oil seal	2
2	GB16674 M8×40	bolt,M8×40	<b>7</b>
3	188F01-02-Z	crankcase cover	1
4	GB276 6207	bearing,6207	1

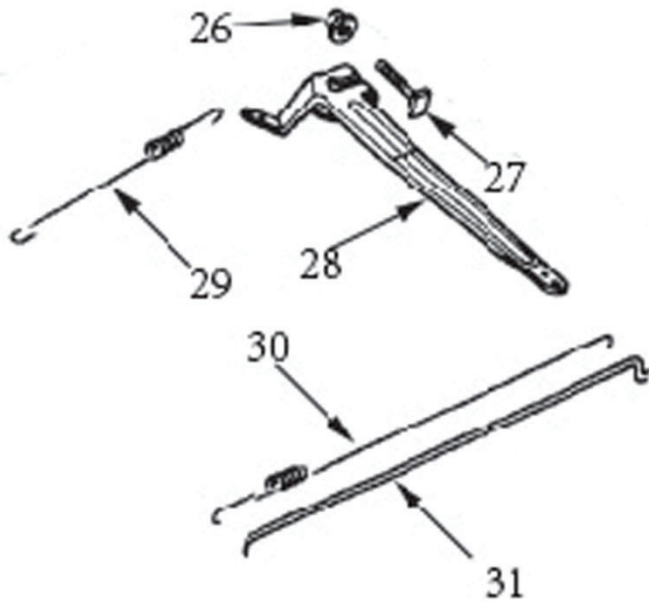
# PARTS DIAGRAM

## GOVERNOR ASSEMBLY



4	GB276 6207	bearing,6207	1
5	188F01-08	dipstick	1
6	GB276 6202	bearing,6202	2
7	188F06-01	gear wheel,governor	1
8	GB16674 M6×16	bolt,M6×16	4
9	GB16674 M6×25	bolt,M6×25	2
10	188F01-06.01	oil sensor assy	1
11	188F04-02	ignition coil	1
12	F6TC	spark	1
13	188F01-03	gasket,crankcase	1
14	168F01-04	locating stud	2
15	190F02-07	camshaft	1
16	190F03-01	crankshaft	1
17	168F03-01.04	locating key	1
18	188F03-09	balance shaft	1

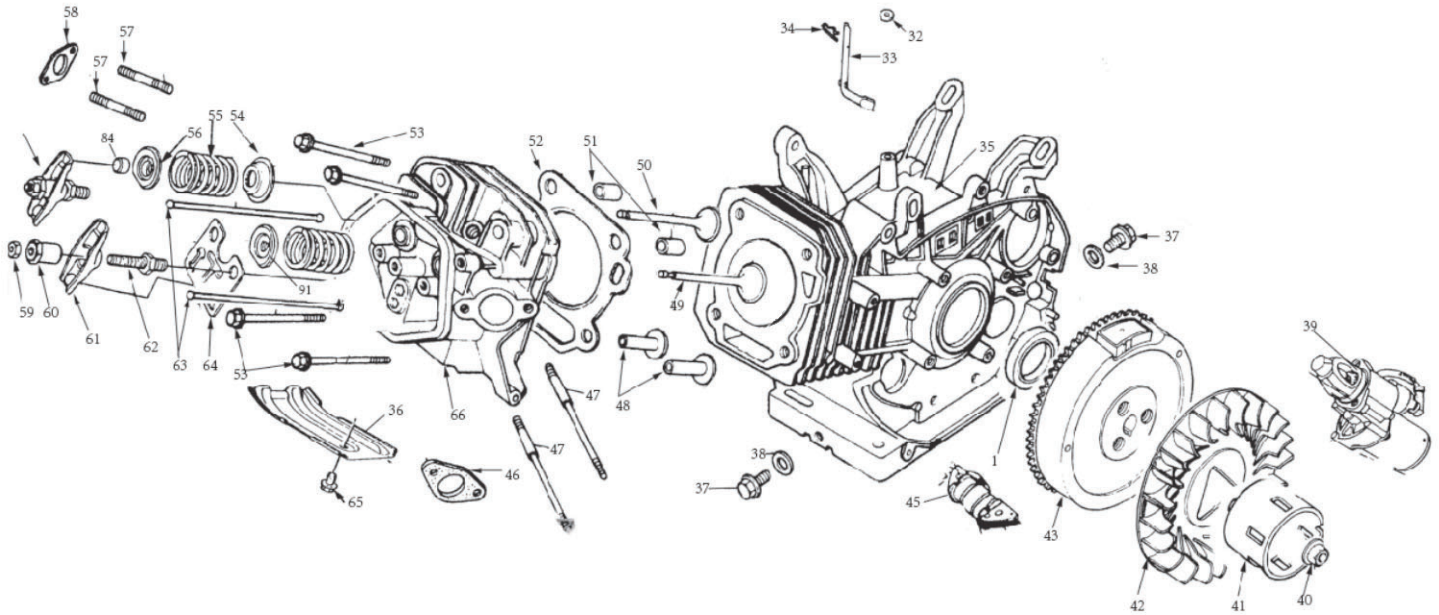
## GOVERNOR



26	GB6177.1 M6	nut,M6	1
27	188F06-08.02	T bolt	1
28	188F06-08.01	governing arm	1
29	188F06-11	spring,governor	1
30	188F06-12	bar,governor	1
31	188F06-10	spring,throttle	1



# ENGINE DIAGRAM



32	A154F06-25	washer	2
33	188F06-06	governor rod	1
34	188F06-07	governor pin	1
35	D190F01-01-J	crankcase	1
36	188F05-04	coverage,down cylinder	1
37	188F01-09	drain bolt	2
38	188F01-10	brain washer	2
39	188F08-00	start motor	1
40	GB6177.2 M16×1.5	nut,M16	1
41	188F05-06	start hub	1
42	190F05-02	FAN	1
43	D188F04-01	flying wheel	1
44	188F05-03	coverage,upper cylinder	1
45	188F08-03-60Hz	charging coil	1
46	188F02-16	gasket,inlet	1
47	188F02-01.10	tapped stud	2
48	188F02-08	lifter,valve	2
49	190F02-01.03	in valve	1
50	190F02-01.04	ex valve	1
51	188F02-02	locating stud	2
52	190F02-03	gasket,cylinder head	1

53	GB16674 M10×1.25×75	bolt,M10×1.25×75	4
54	188F02-01.11	Nether Retainer	2
55	188F02-01.05	valve spring	2
56	188F02-01.07	spring retainer,outlet	1
57	GB899 M8×20	tapped stud,M8×20	2
58	188F02-15	gasket,EX	1
59	168F02-14	nut,M6×0.75	2
60	168F02-13	adjust nut	2
61	188F02-12	rocking arm	2
62	168F02-11	bolt,rocking arm	2
63	188F02-09	push rod	2
64	188F02-10	retainer bracket	1
65	GB16674 M6×12	bolt,M6×12	11
66	190F02-01.01-2	cylinder head	1
84	188F02-01.08	cap,EX valve	1
91	188F02-01.06	spring retainer, inlet	1