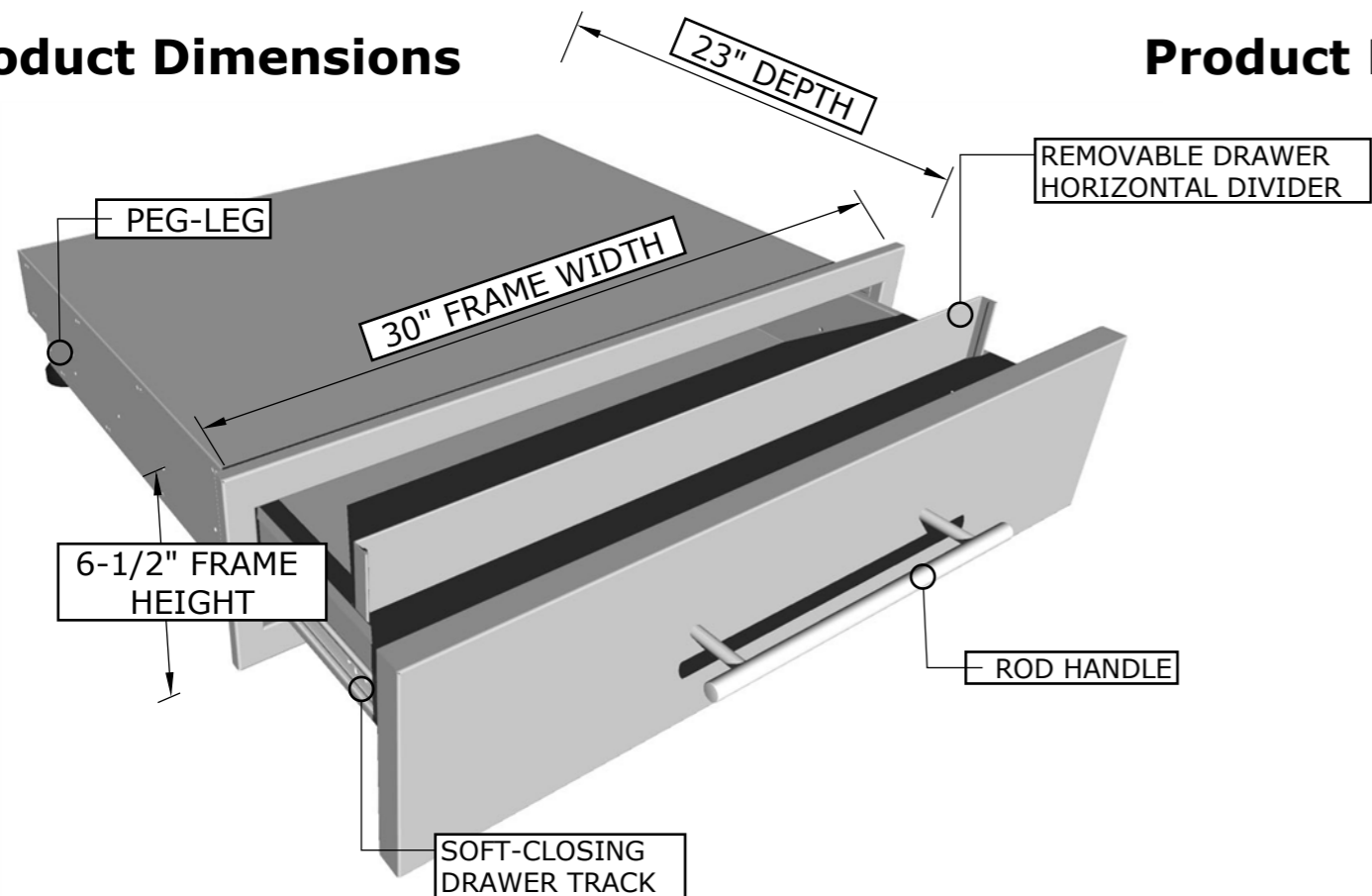
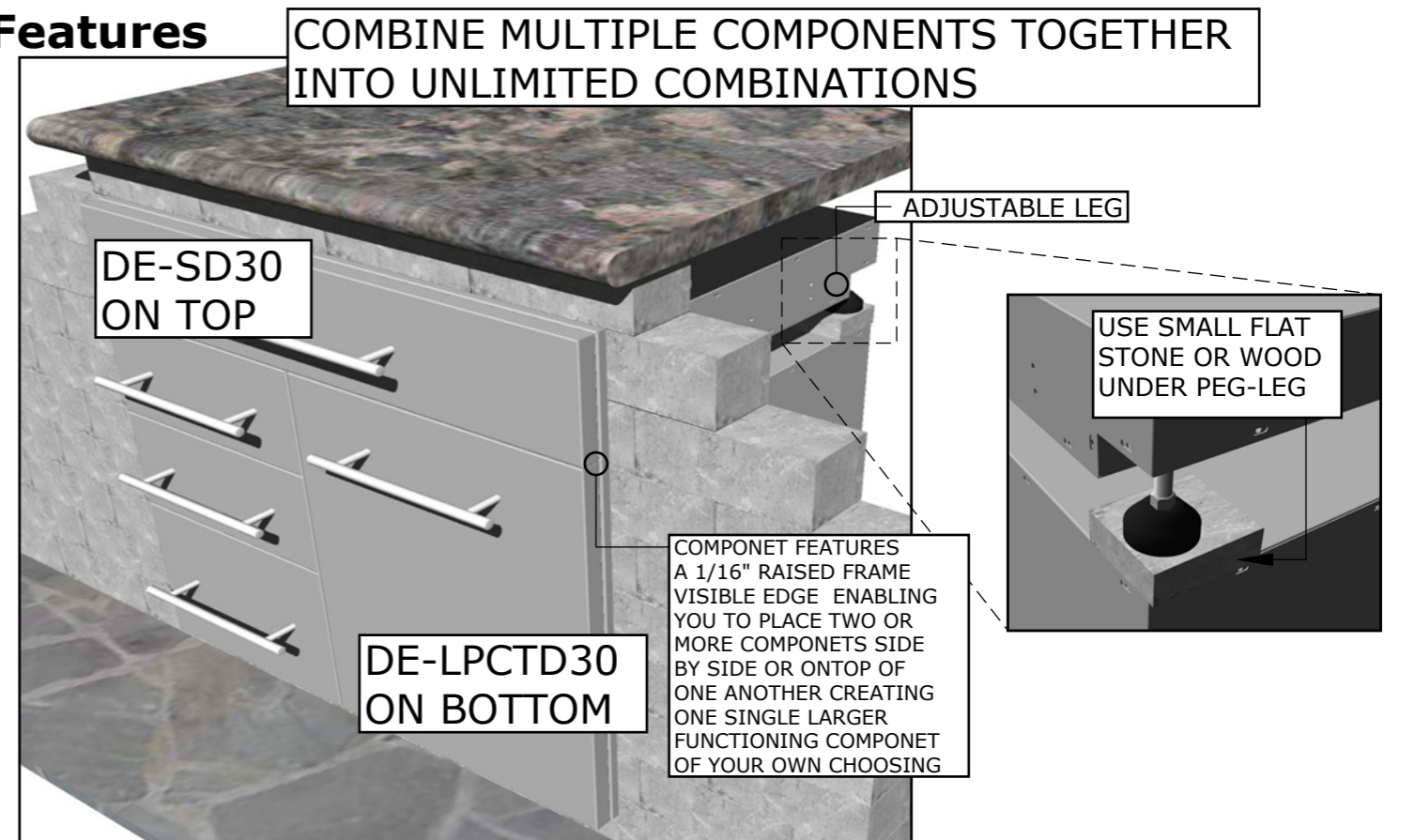
 <p><b>Designer Series</b> CUSTOM CONFIGURABLE COMPONENTS</p>	<p><b>PRODUCT</b> 30" Wide x 6-1/2" Height Single Drawer</p> <p><b>Item No.</b> DE-SD30</p>	<p><b>DESCRIPTION</b> Designer Series, Raised Style - 30" Wide x 6-1/2" Height Single Drawer w/Divider &amp; Peg-Legs</p>	<p><b>PRODUCT DIMENSIONS</b> 30" WIDTH x 6-1/2" HEIGHT x 23" DEPTH (PRODUCT SIZE) 28-1/2" WIDTH x 4-1/2" HEIGHT x 22" DEPTH (CUT-OUT)</p>	<p><b>SPECIFICATIONS</b> Frame is made from 16 gauge 304 SS, and panel's are made from 18 gauge 304 SS. Inside Drawer Box is made with 20 gauge 201 SS. Handle is Solid 304 SS.</p>	<p><b>WARRANTY</b></p> <ul style="list-style-type: none"> <li>• EXTERIOR FINISH -----3 YEARS</li> <li>• ROD HANDLES-----3 YEARS</li> <li>• DRAWER TRACK-----1 YEAR</li> <li>• PEG-LEGS-----1 YEAR</li> </ul>
---	---	---	---	---	--

### Product Dimensions



### Product Features



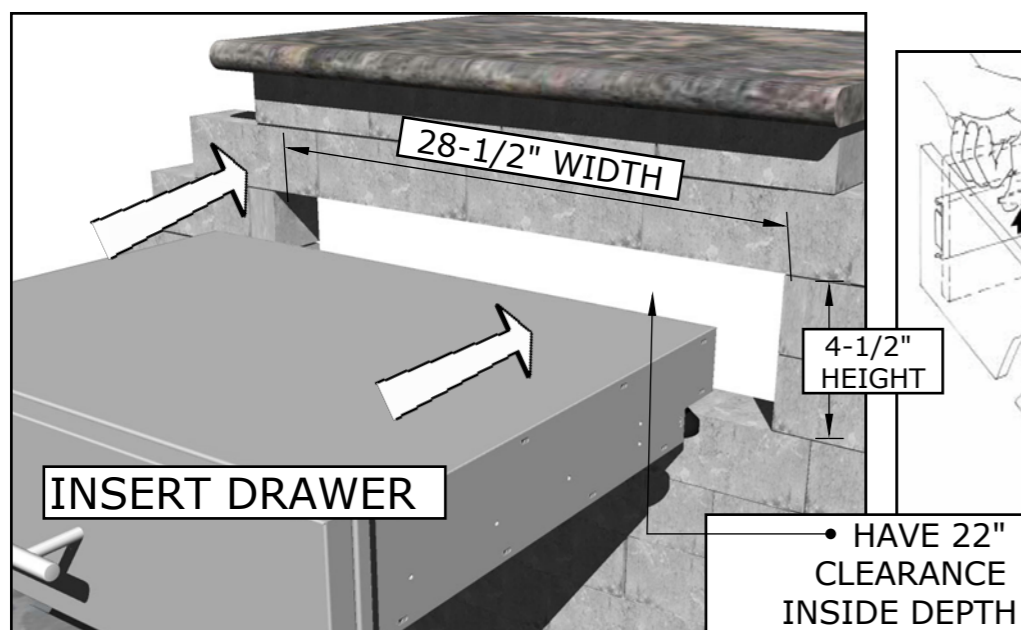
### Product Installation

ISLAND WALL CUT-OUT SIZE IS  
28-1/2" WIDTH BY 4-1/2" HEIGHT BY 22" DEPTH

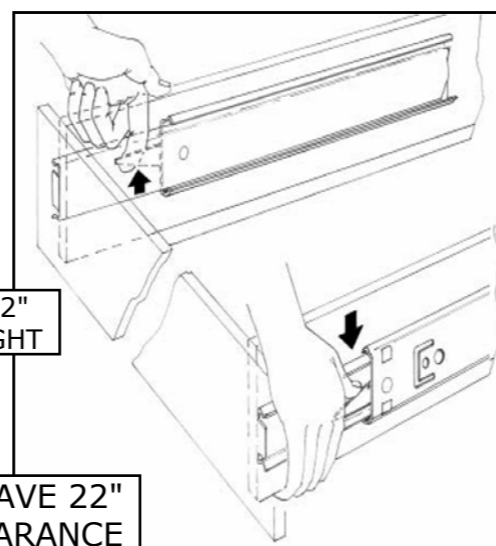
**IMPORTANT!!** - ROD HANDLES ARE MOUNTED TO INSIDE OF EACH PANEL, YOU MUST UNSCREW EACH ONE AND MOUNT ON OUTSIDE OF DRAWER OR DOOR PANEL.

See SUNSTONE manufacture website for additional product support and product tutorials:  
[www.sunstonemetalproducts.com](http://www.sunstonemetalproducts.com)

#### 1. INSERT COMPONENT



#### 2. REMOVE DRAWERS



#### REMOVE DRAWERS IN ORDER TO MOUNT BOX

- Pull the drawer fully open so Levers are visible.
- Push "DOWN" on the right lever, and "UP" on the left lever.
- Holding levers in place, pull drawer toward you.

#### 3. MOUNT DRAWER & LOWER LEGS

