

# NV51K6650SS

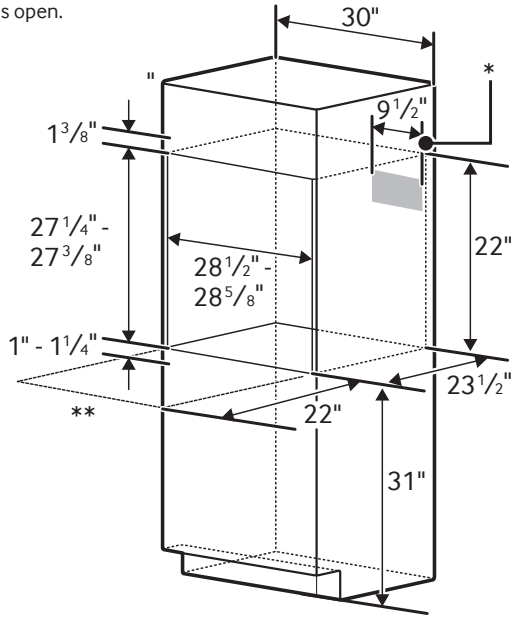
5.1 cu. ft. Single Wall Oven

## Cabinet Dimensions

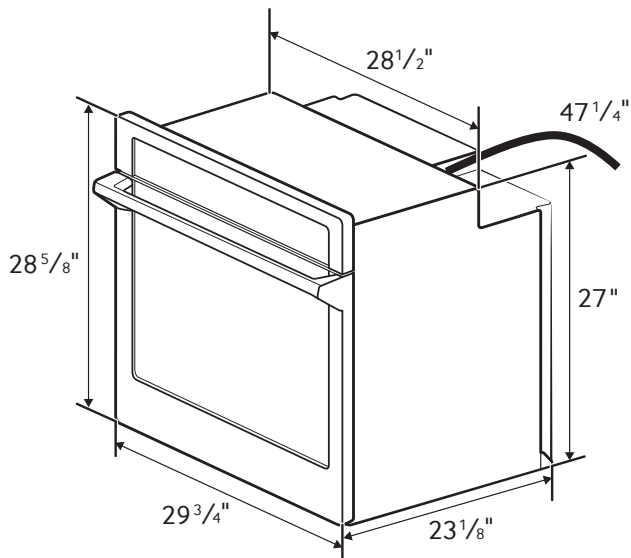
Single Oven Installed in Cabinet

\*Junction Box

\*\*Allow a minimum of 22" for clearance to adjacent corners, drawers, walls, etc. when door is open.



## Product Dimensions



## Convection Wall Oven

- Hidden Bake Element
- Bake: 175°F–550°F
- Convection Bake: 175°F–550°F
- Convection Roast: 175°F–550°F
- Broil: Low-High
- Steam Bake: 230°F–550°F
- Steam Roast: 230°F–550°F
- Proofing
- Sabbath Mode

## Warranty

One (1) Year All Parts and Labor

## Product Dimensions & Weight (WxHxD)

Outside (Max) Cooktop Dimensions:

28<sup>3</sup>/<sub>4</sub>" x 27<sup>5</sup>/<sub>8</sub>" x 24<sup>7</sup>/<sub>16</sub>"

Wall Oven Cut-Out Dimensions:

28<sup>1</sup>/<sub>2</sub>" x 27<sup>1</sup>/<sub>4</sub>" x 23<sup>1</sup>/<sub>2</sub>"

Weight: 136.7 lbs.

## Shipping Dimensions & Weight (WxHxD)

Dimensions:

33<sup>1</sup>/<sub>2</sub>" x 33<sup>3</sup>/<sub>4</sub>" x 29<sup>13</sup>/<sub>16</sub>"

Weight: 163.1 lbs.

Color	Model #	UPC Code
Stainless Steel	NV51K6650SS	887276184029
Black Stainless Steel	NV51K6650SG	887276184012

KW RATING	
240V	4.9
208V	3.7
BREAKER SIZE	
240V	30 Amps
208V	20 Amps

**SAMSUNG**

Actual color may vary. Design, specifications, and color availability are subject to change without notice. Non-metric weights and measurements are approximate.

©2016 Samsung Electronics America, Inc. 85 Challenger Road, Ridgefield Park, NJ 07660. Tel: 800-SAMSUNG. samsung.com. Samsung is a registered trademark of Samsung Electronics Co., Ltd.