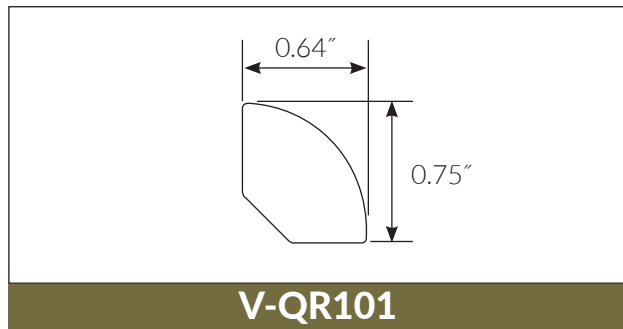


# MSI

Making Dream Surfaces a Reality

## Profile Specs

Quarter round is used to cover the expansion gap between the floor and the wall.



## Installation Guide

