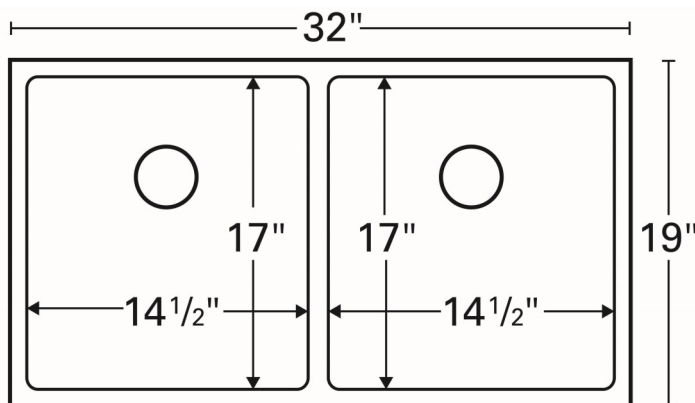


Features and Specifications:

- Double equal bowl kitchen sink
- Outside dimensions: 32" x 19" x 10"
- Manufactured from Type 304 stainless steel
- 16 Gauge
- Underside affixed with rubber pads for sound absorption
- Sink surface has a brushed satin finish
- Can only be installed in new countertops, not existing countertops with existing sink cutout
- Undermount installation required. May not be top mounted
- This sink may be undermounted to all solid surface and stone products. 1/8" to 1/4" positive reveal or flush mount recommended.
- Supplied with template
- Digital templates for CNC machines are available at www.karran.com
- Strainer baskets shown not included with sink



TOP ELEVATION



FRONT ELEVATION

