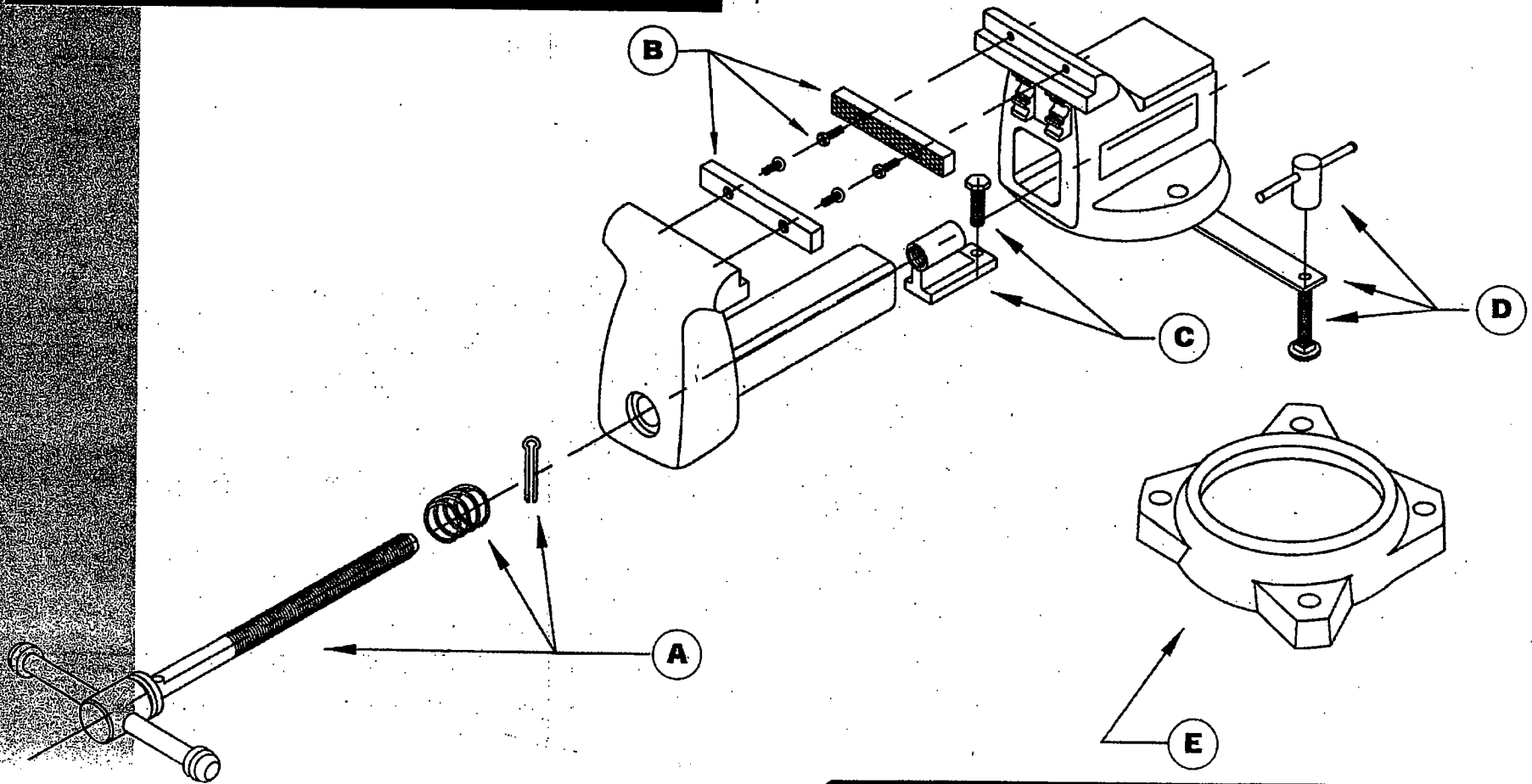




Wilton Shop Vise Replacement Parts



Item Number	Model Number	Width of Jaws (B)	A Spindle & Handle Assembly	B Serrated Jaw Inserts W/Screws	C Spindle Nut	D Lock Nut And Bolt Assembly	E Outer Ring
63300	WS-4	4"	310045W	310041W	310047W	310044W	310046W
63301	WS-5	5"	310042W	310051W	310047W	310054W	310056W
63302	WS-6	6"	310065W	310061W	310067W	310054W	310066W
63304	WS-8	8"	310085W	310081W	310087W	310084W	310086W

Safety Information

Please Read Carefully

- Misuse of vise can cause serious injury to eyes, hands, limbs, etc.
- To ensure safety, vise must be set up and used properly.
- Before setting up and using, read, understand and follow all instructions as outlined below.

When Setting Up The Vise:

- Use proper size bolts, nuts, lock and flat washers in all base mounting holes, never weld base of vise to any metal object.
- Only hand tighten swivel base lock down nuts at the sides of the vise.
- Never use a pipe extension to tighten lock nut handles. This can cause the handles to bend and over stress the lock down bolts.
- Make sure the bench top to which the vise is mounted is properly secured.

When Using Vise:

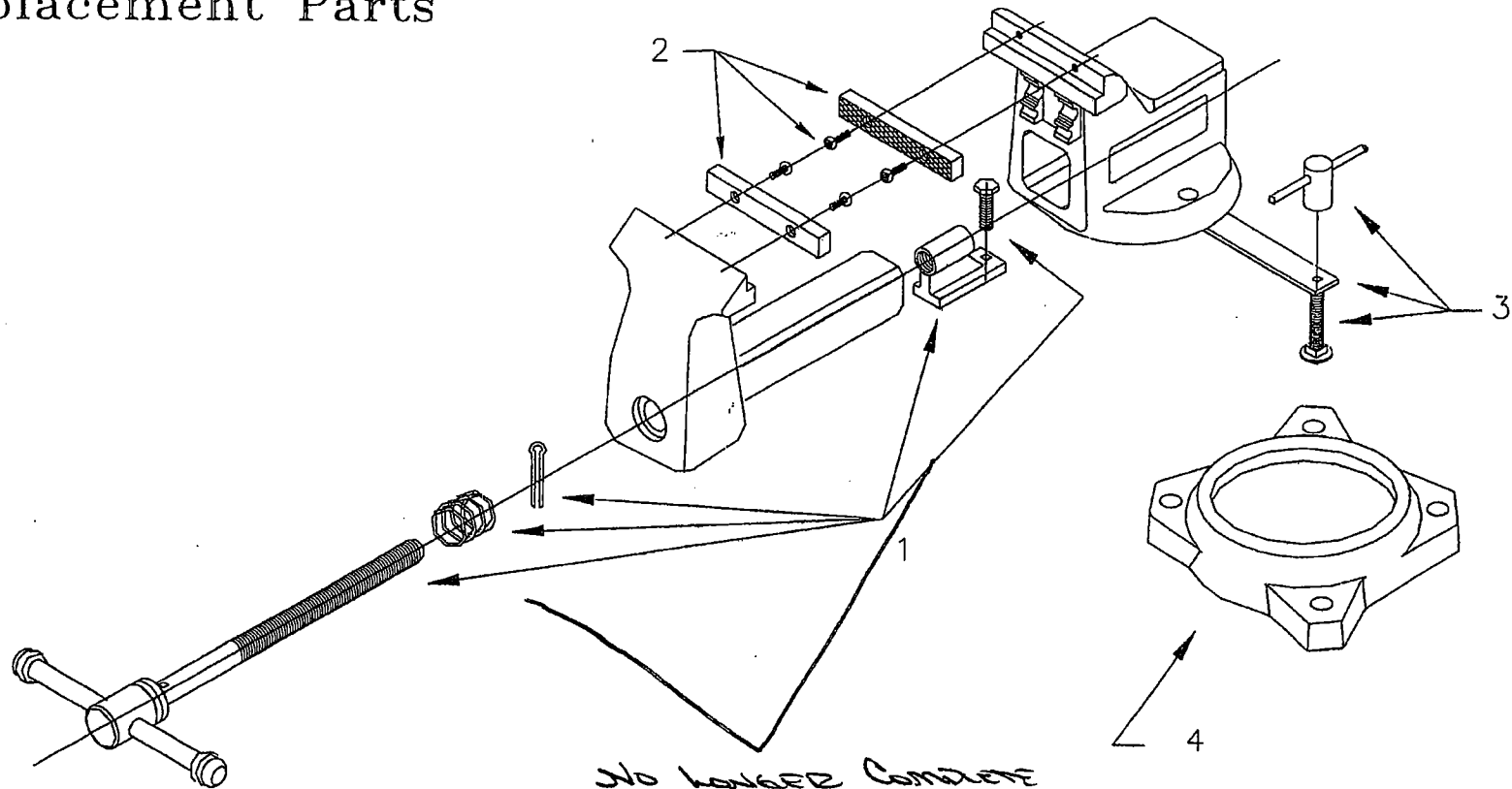
- Always use vise of proper size and capacity to hold work object.
- Never use a hammer, pipe extension or cheater bar on spindle handle of vise.
- Never unscrew moveable jaw beyond the maximum specified opening of the vise.
- Never use vise as a press for assembly or disassembly of objects.
- Always wear eye and face protection when striking vise held objects or when using power tools with a vise.



300 South Hicks Road • Palatine, IL 60067 6000
Phone: (847) 934-6000 • Fax: (800) 626-9676
www.wilontool.com



SHOP VISE Replacement Parts



*No longer complete
assembly - sold separately*

WILTON MODEL NUMBER	WIDTH OF JAWS (ITEM #2)	* ITEM #1 SPINDLE & HANDLE ASSEMBLY	ITEM #2 SERRATED JAW INSERTS W/ SCREWS	ITEM #3 LOCK NUT AND BOLT ASSEMBLY	ITEM #4 OUTER RING	Spindle Nut *
WS4	4"	310045W	310041W	310044W	310046W	310047W
WS5	5"	310042W	310051W	310054W	310056W	310047W
WS6	6"	310065W	310061W	310054W	310066W	310067W
WS8	8"	310085W	310081W	310084W	310086W	310087W



Shop Vise Replacement Parts List

	Workshop Vises		
Jaw Size	WS4 4" (63300)	WS5 5" (63301)	WS6 6" (63302)
Handle & Spindle	310045W	310045W	310065W
Serrated Jaw Set	310041W	310051W	310061W
V Jaw Set	N/A	N/A	N/A
Pipe Jaw	N/A	N/A	N/A
Vise Nut	310047W	310047W	310067W
Lock Nut Set (for swivel base)	310044W	310054W	310054W
Base	310046W	310056W	310066W
Rotating Jaw (lock nut set)	N/A	N/A	N/A

Safety Information

- Misuse of vise can cause serious injury to eyes, hands, limbs, etc.
- To ensure safety, vise must be set up and used properly.
- Before setting up and using, read, understand and follow all instructions as outlined below:

When Setting Up The Vise:

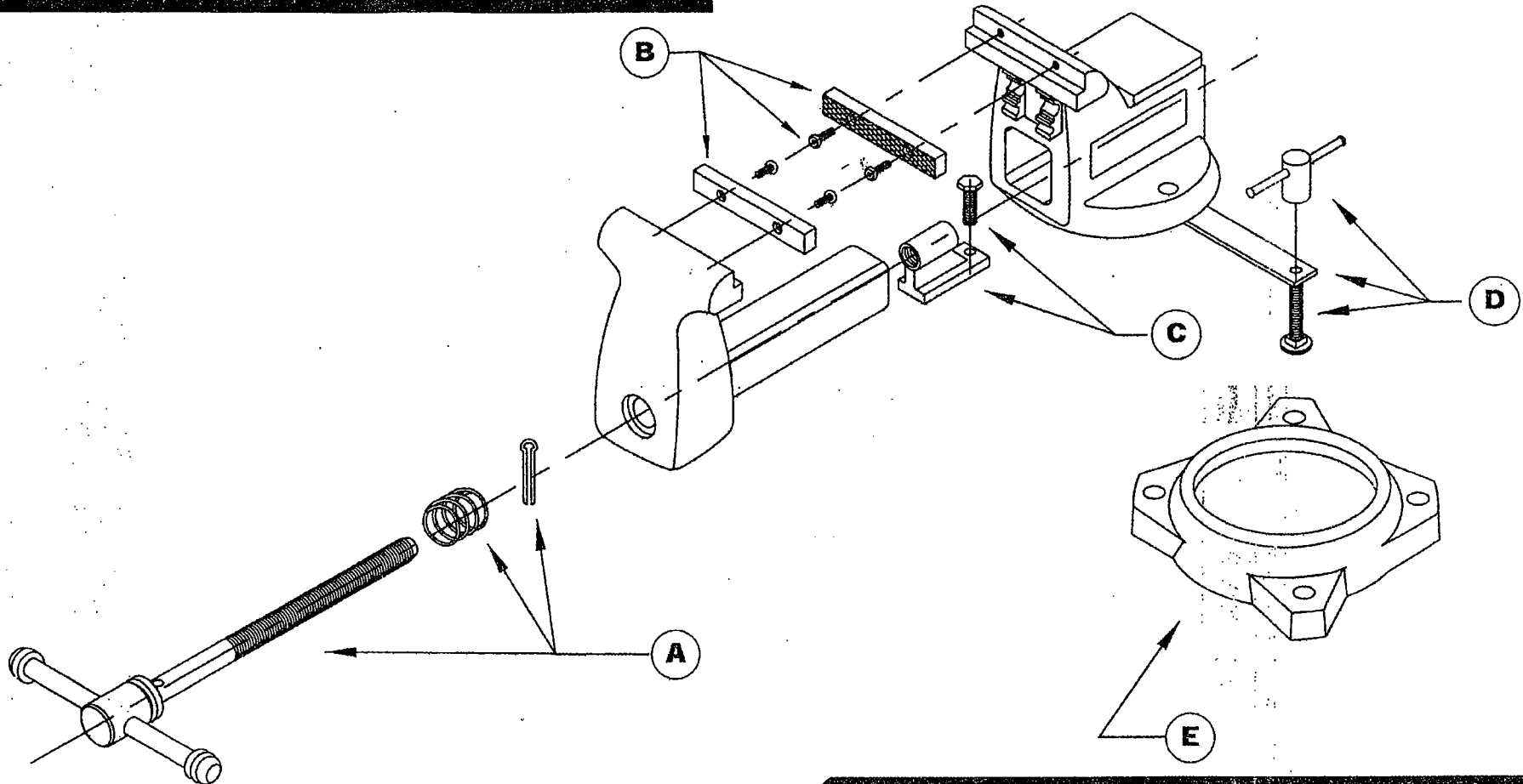
- Use proper size bolts, nuts, lock and flat washers in all base mounting holes, never weld base of vise to any metal object.
- Only hand tighten swivel base lock down nuts at the sides of the vise.
- Never use a pipe extension to tighten lock nut handles. This can cause the handles to bend and over stress the lock down bolts.
- Make sure the bench top to which the vise is mounted is properly secured.

When Using Vise:

- Always use vise of proper size and capacity to hold work object.
- Never use a hammer, pipe extension or cheater bar on spindle handle of vise.
- Never unscrew moveable jaw beyond the maximum specified opening of the vise.
- Never use vise as a press for assembly or disassembly of objects.
- Always wear eye and face protection when striking vise held objects or when using power tools with a vise.



Wilton Shop Vise Replacement Parts

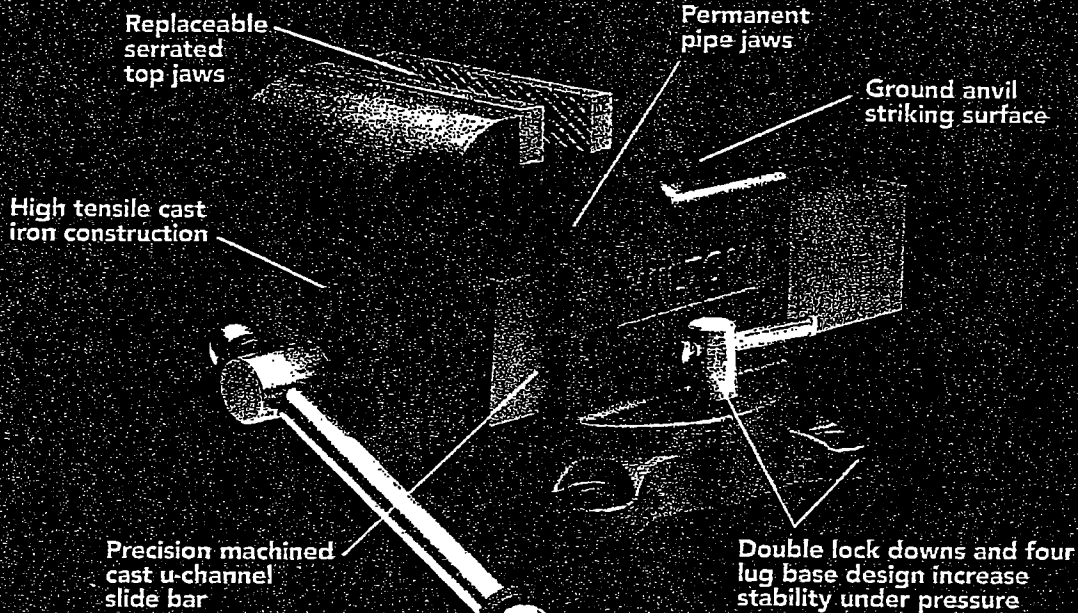


Item Number	Model Number	Width of Jaws (B)	A Spindle & Handle Assembly	B Serrated Jaw Inserts W/Screws	C Spindle Nut	D Lock Nut And Bolt Assembly	E Outer Ring
63300	WS-4	4"	310045W	310041W	310047W	310044W	310046W
63301	WS-5	5"	310042W	310051W	310047W	310054W	310056W
63302	WS-6	6"	310065W	310061W	310067W	310054W	310066W
63304	WS-8	8"	310085W	310081W	310087W	310084W	310086W

Wilton Shop Vise

Shop Vise Features

- Designed for general duty shop use by the vise experts
- Instant-Action vise design ensures immediate engagement of the nut and spindle screw
- Vise rotates 360° to meet application demands
- Rubber pinch point safety guards
- Heavy duty 25,000 PSI castings for long life and added strength

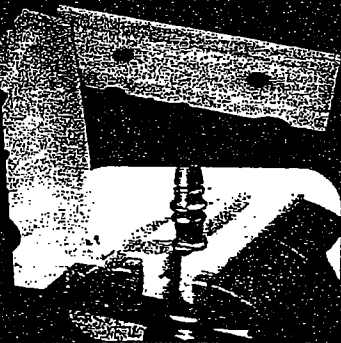


Catalog Number	Model Number	Jaw Width	Jaw Opening	Throat Depth	Weight Lbs.
WS4	63300	4"	4"	2-3/4"	22
WS5	63301	5"	5"	3"	31
WS6	63302	6"	6"	3-1/2"	42

COLUMBIAN[®] BY WILTON Jaw Caps

Multi-Grip Vise Jaws

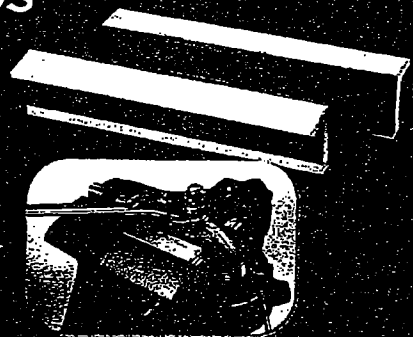
- The Multi-Grip Vise Jaws are designed to fit any 3"-6" vise jaws, including all Wilton and Columbian vises
- Magnetic back mounts securely to jaw
- Great for holding wood, metal and tubing



Catalog Number	Model Number	Jaw Width	Weight Lbs.
21111	21111	3" - 6"	1

Magnetic Mount Rubber Jaw Caps

- Rubber jaw cap conforms to workpiece and grips firmly without stripping
- Magnetic strip for easy mounting
- Fits most 4" to 6-1/2" vises



Catalog Number	Model Number	Jaw Width	Weight Lbs.
21005	21005	4" - 4-1/2"	1
21007	21007	5" - 5-1/2"	1
21009	21009	6" - 6-1/2"	1