

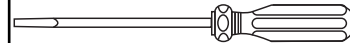
# 593244

## White Poly Slip Joint Waste and Overflows

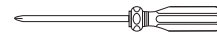
You May Need:



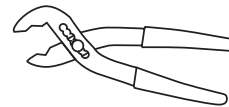
Silicone Seal



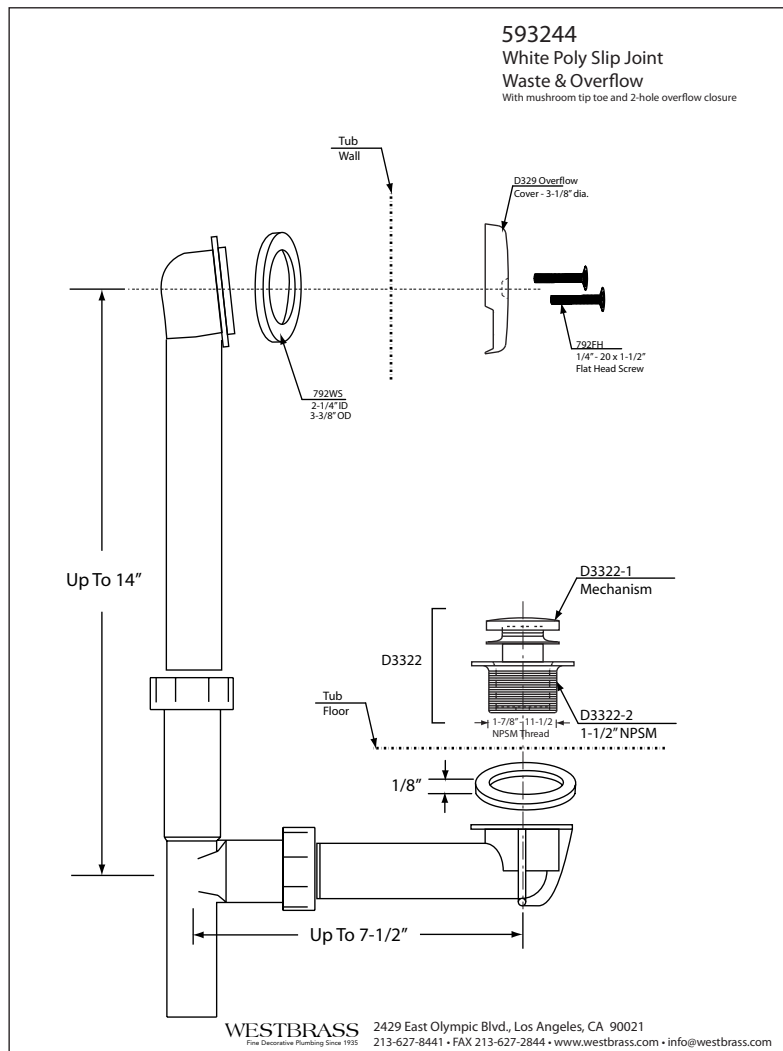
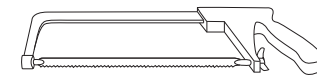
Screw Driver



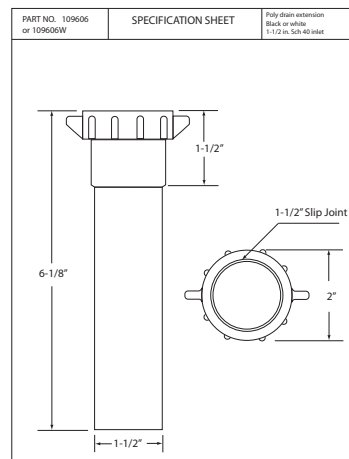
Pliers



Hacksaw



NOTE: 109606W Extension available for deeper tub overflows



### Installation Instructions:

1. Dry fit assembly first to cut tubes to size.
2. Place rubber gasket on overflow elbow using silicone seal between washer and tub.
3. Place shoe elbow under tub, using rubber washer between bottom of tub and shoe elbow.
4. Place a thin bead of silicone sealant on underside of strainer and between bottom of tub and washer.
5. Screw in strainer through the tub into shoe elbow. Use pliers or a strainer wrench to secure strainer to tub.
6. Wipe off any excess silicone with a clean towel.
7. Position slip nut and washer on the waste tube and overflow tube with slip nut facing outwards.
8. Set tee in place and tighten slip nuts after tee is in position.
9. Attach cover plate to overflow elbow using 1/4 inch screws.
10. Tighten up all slip joint nuts and test for leaks by filling up the tub.

WESTBRASS • 2429 E. Olympic Blvd., Los Angeles, CA 90021  
(213)-627-8441 • (213) 627-2844 • orders@westbrass.com • www.westbrass.com