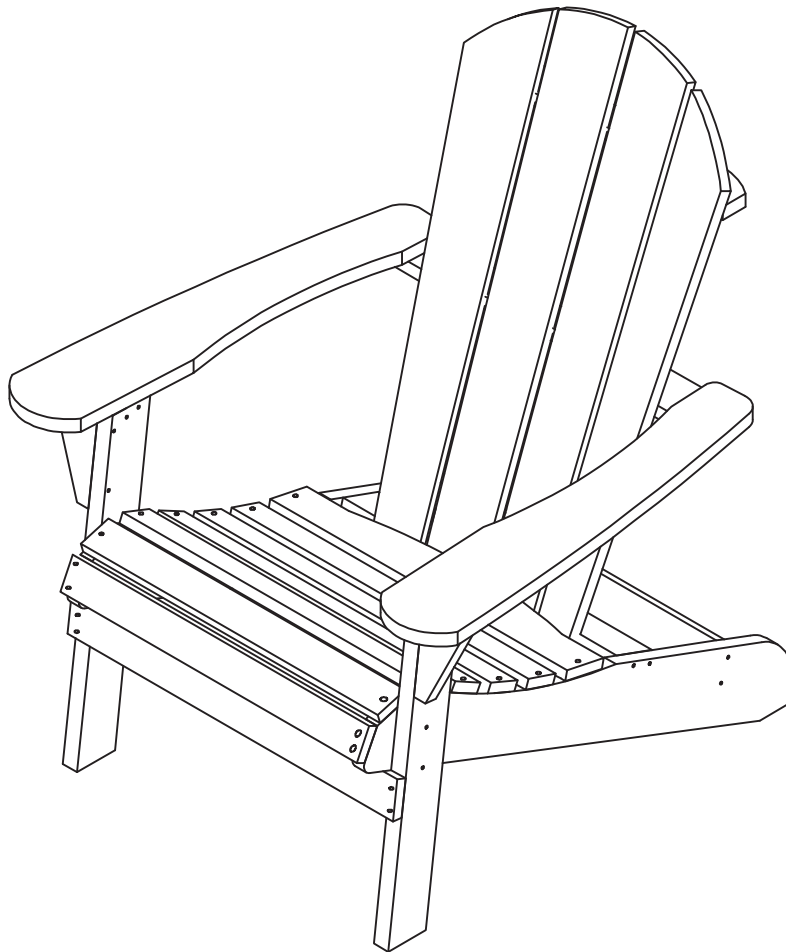


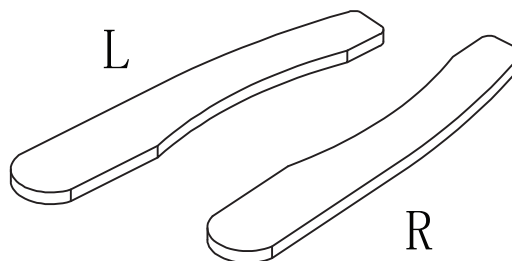
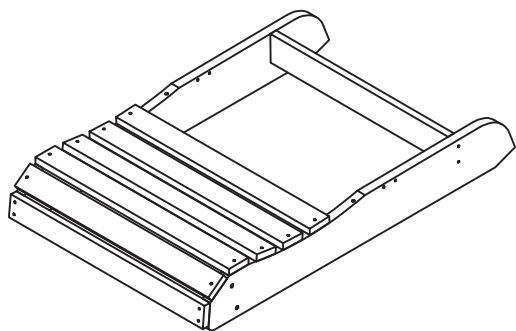
CARE INSTRUCTIONS

Thank you for choosing northbeam[™] FAUX WOOD RELAXED ADIRONDACK CHAIR. With a little care and maintenance, the northbeam[™] FAUX WOOD RELAXED ADIRONDACK CHAIR will provide you with comfort and enjoyment for many years to come!

- To clean panels, use clean water on a damp cloth.
- When assembling northbeam[™] FAUX WOOD RELAXED ADIRONDACK CHAIR, please handle all the panels and/or hardware with care to avoid any possibilities of damages and/or injuries.
- Cover during harsh weather to keep it from weathering.



NOTE: Please read all instructions carefully before starting assembly. Also, we recommend that the unit is fully assembled on a level surface. Two people are recommended to assemble this product. **DO NOT** over torque screws and bolts.

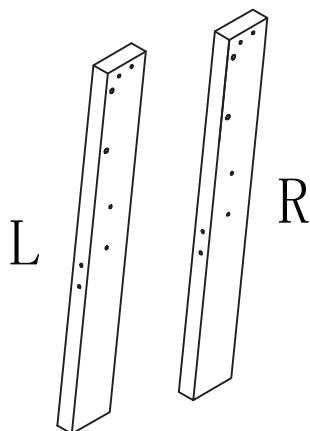


1 SEAT

X 1PC

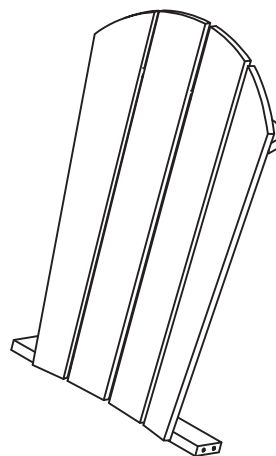
2 ARMREST

X 2PCS



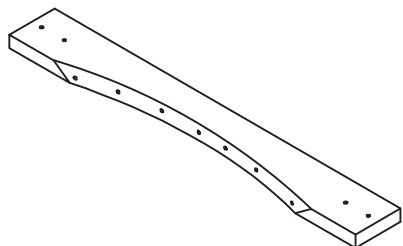
3 FRONT LEG

X 2PCS



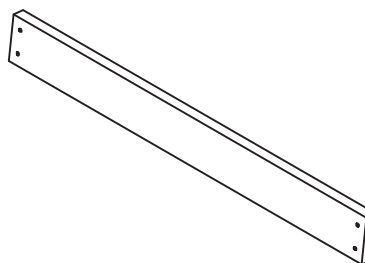
4 BACKREST

X 1PC



5 BACKREST MIDDLE SUPPORT

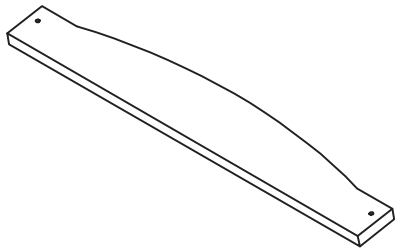
X 1PC



6 FRONT LEG CROSSER

X 1PC

NOTE: Please read all instructions carefully before starting assembly. Also, we recommend that the unit is fully assembled on a level surface. Two people are recommended to assemble this product. DO NOT over torque screws and bolts.



7

REAR SEAT SLAT

X **1PC**

8

ARMRST SUPPORT

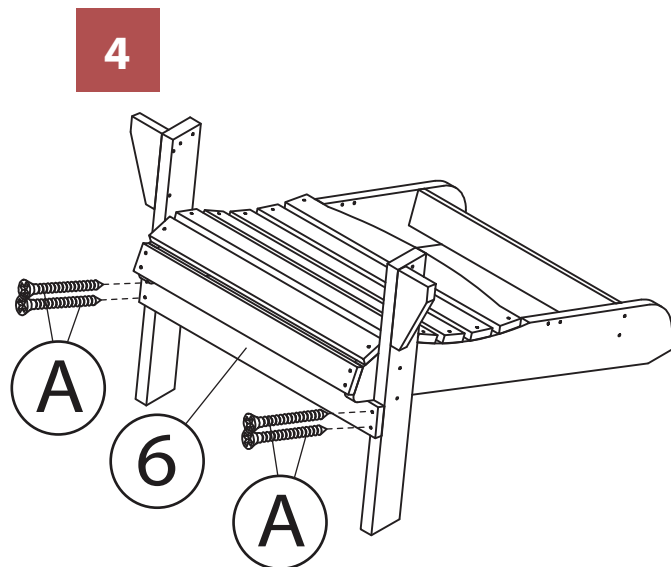
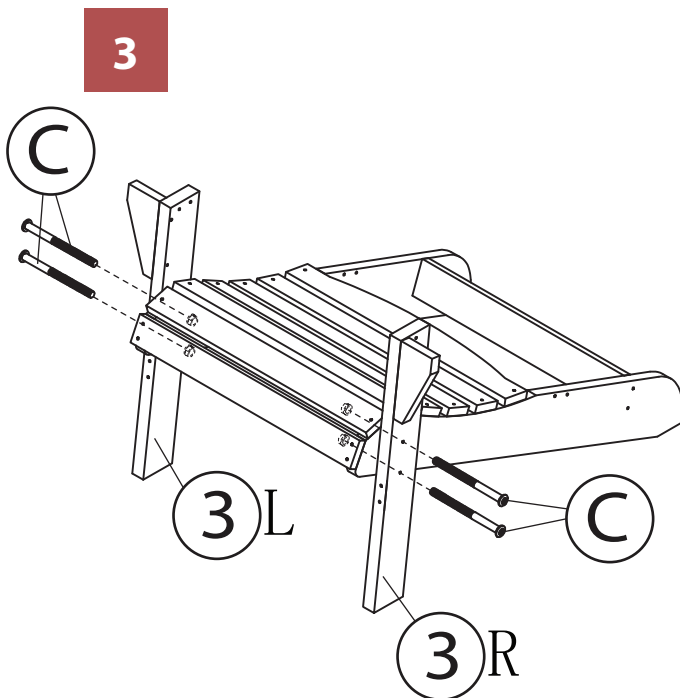
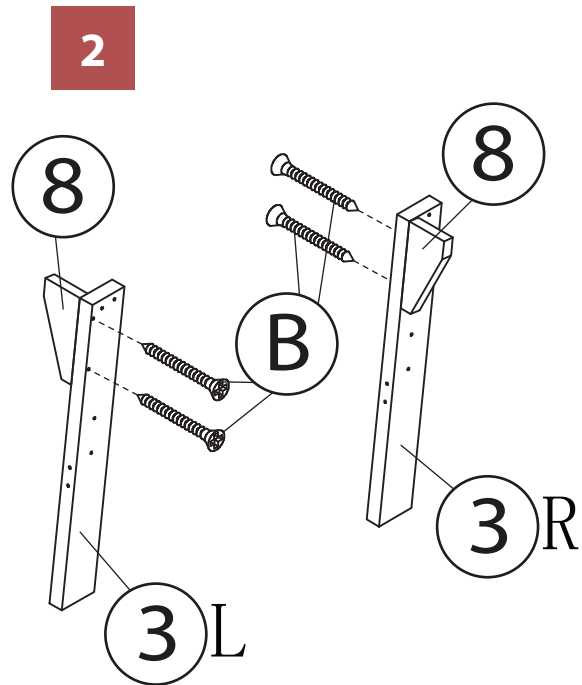
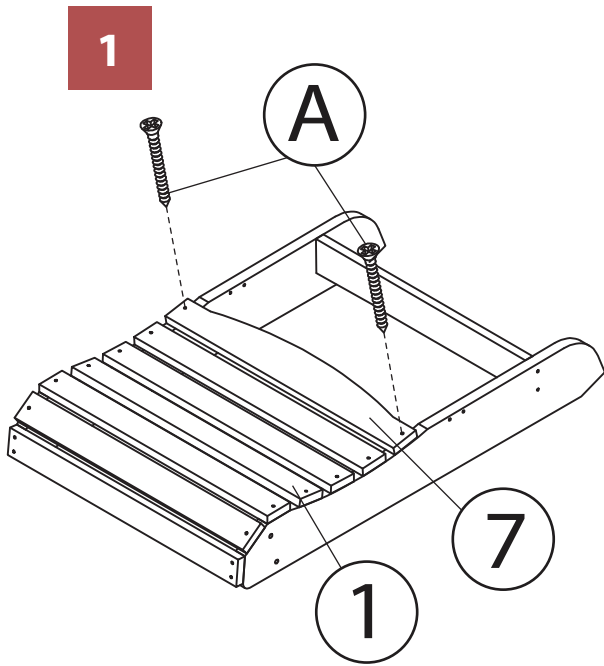
X **2PCS**

A  3.5X35 **10PCS**

B  3.5X45 **18PCS**

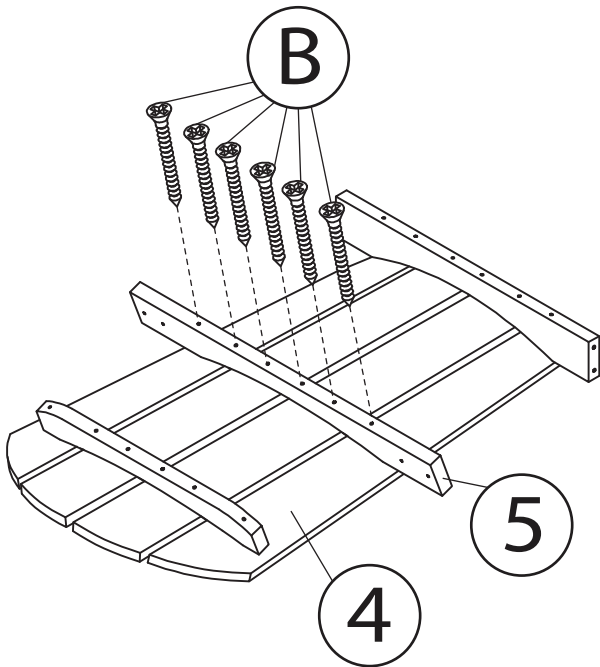
C  M6X60 **4PCS**

NOTE: Please read all instructions carefully before starting assembly.
 Also, we recommend that the unit is fully assembled on a level surface.
 Two people are recommended to assemble this product.
 DO NOT over torque screws and bolts.

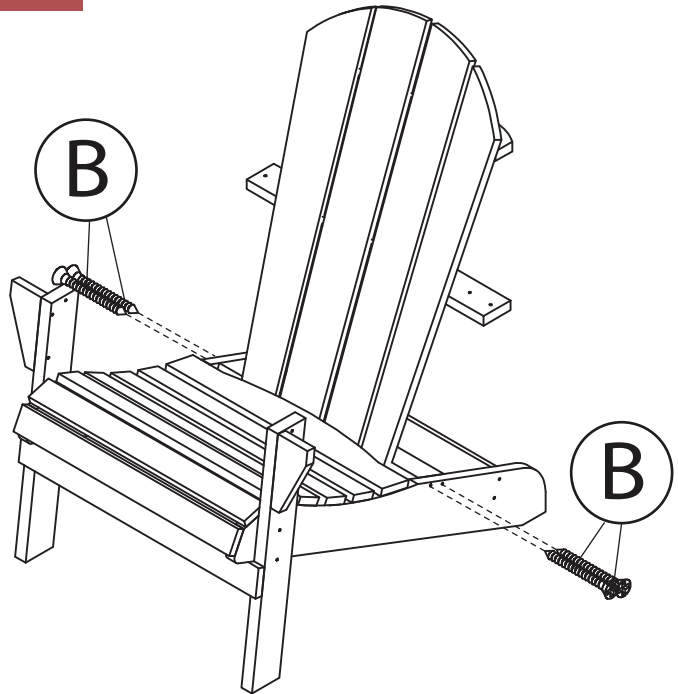


NOTE: Please read all instructions carefully before starting assembly. Also, we recommend that the unit is fully assembled on a level surface. Two people are recommended to assemble this product. DO NOT over torque screws and bolts.

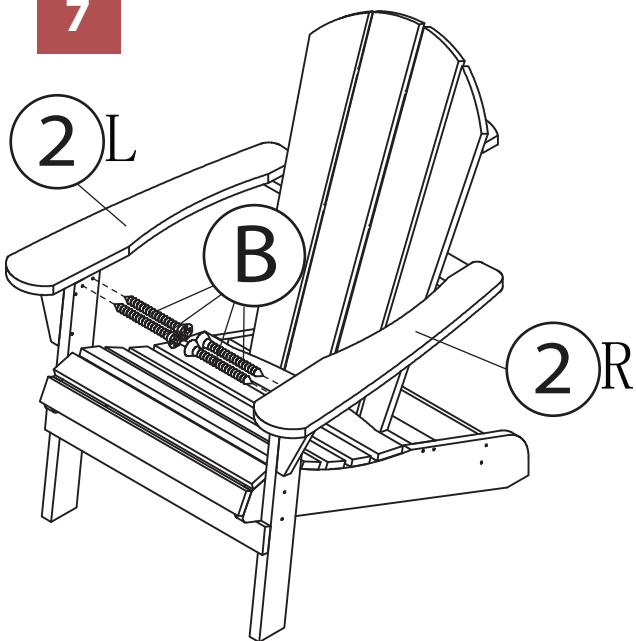
5



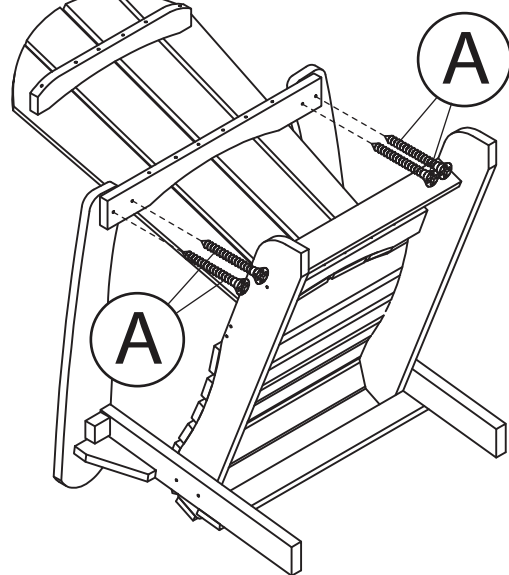
6



7



8



NOTE: Please read all instructions carefully before starting assembly. Also, we recommend that the unit is fully assembled on a level surface. Two people are recommended to assemble this product. DO NOT over torque screws and bolts.

Please check contents before assembly. If any items are missing or damaged, do not take the unit back to the store. Call (775) 629-5029 or email: service@merryproducts.com for customer service and we will save you time by correcting any problems directly for you.

NOTE: Please read all instructions carefully before starting assembly. Also, we recommend that the unit is fully assembled on a level surface. Two people are recommended to assemble this product. DO NOT over torque screws and bolts.