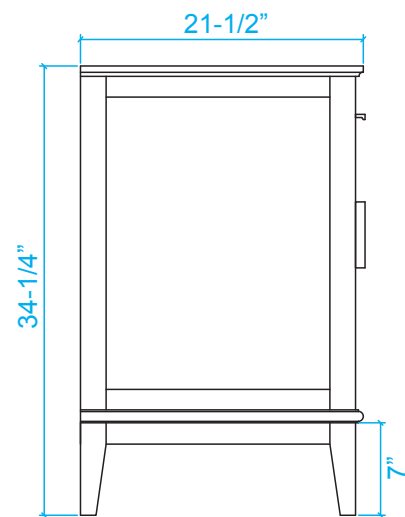
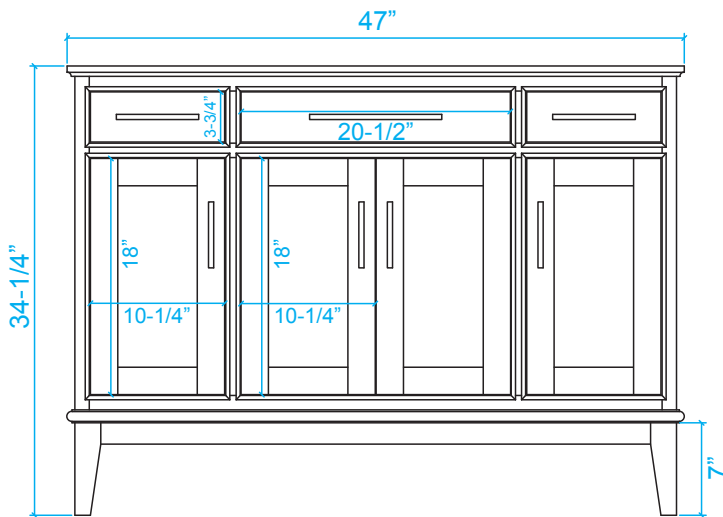
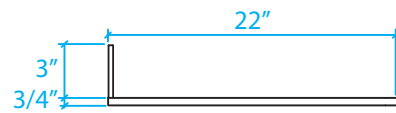
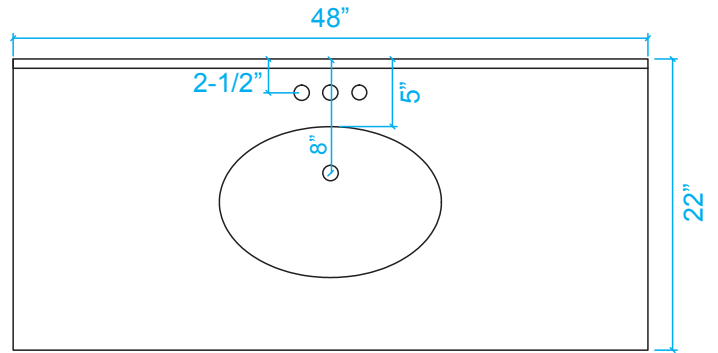
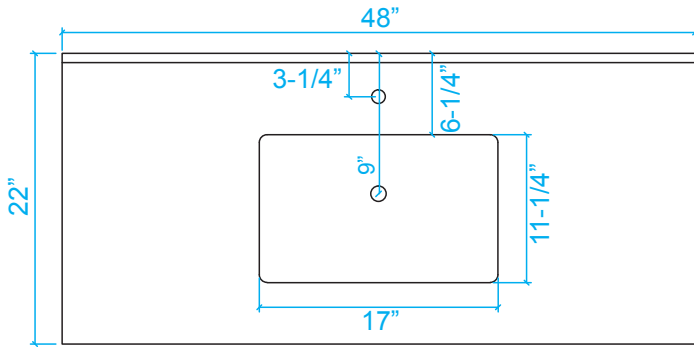


WYNDHAM COLLECTION



*Note: All Measurements are $\pm 1/4$ "

WC-1616-48-SGL