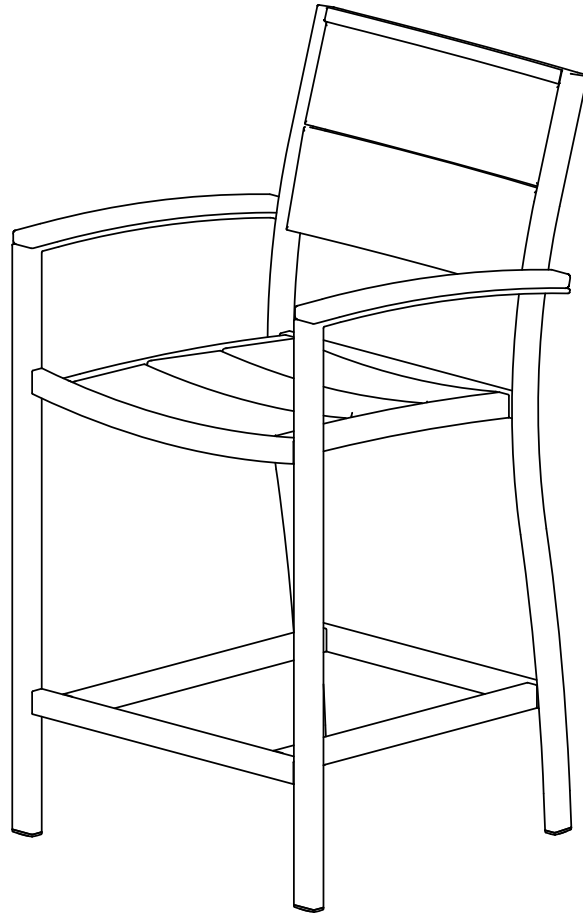


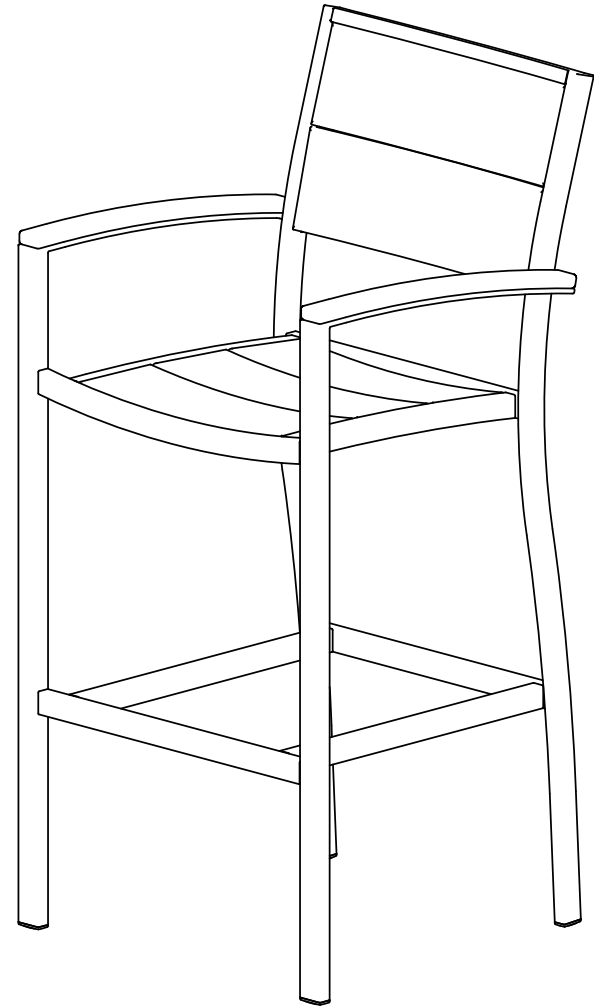
Features

1. No assembly required

Model: TXA211



Model: TXA212



Trex® Outdoor Furniture™

Assembly Instructions:

Model: 8010, 8011, 8012

Step 1

Lay table top on flat surface

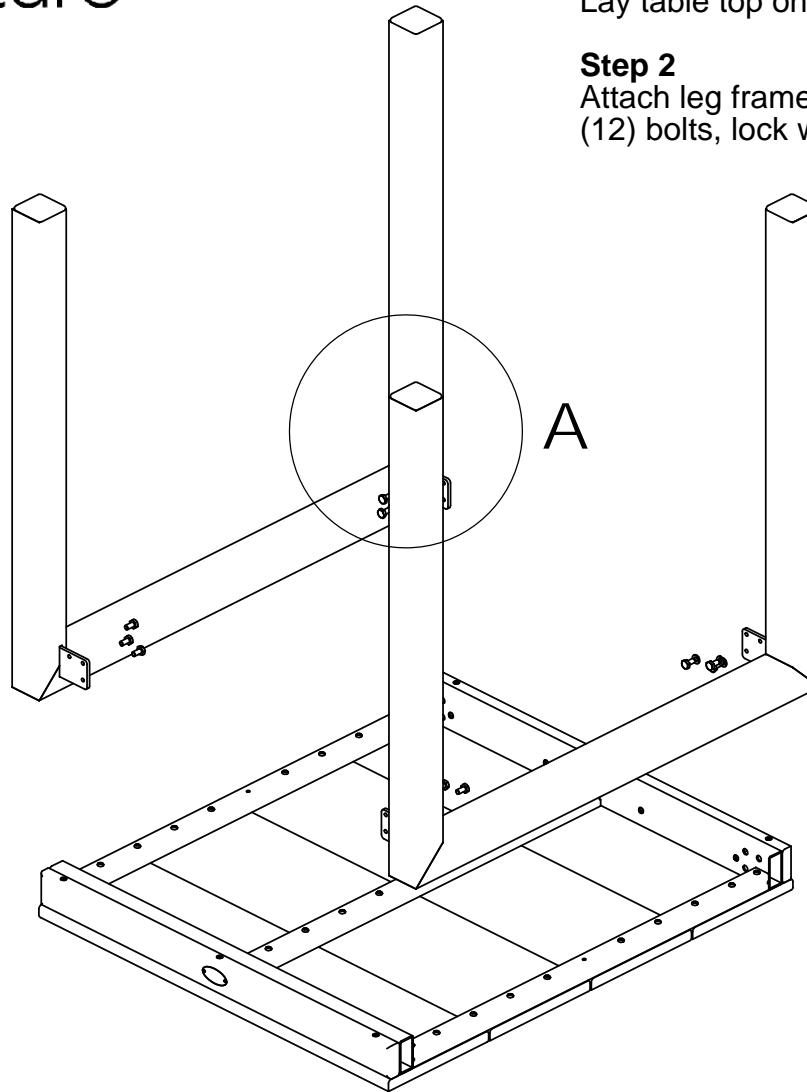
Step 2

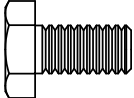
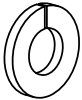
Attach leg frames to the table top using (12) bolts, lock washer, and flat washers

- (1) Table top with slats
- (2) Leg Frames
- (1) Hardware Pack

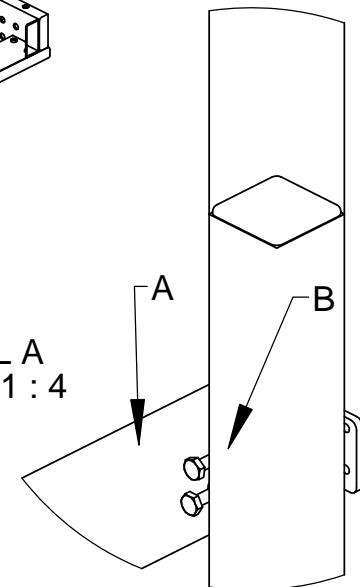
TOOLS NEEDED

7/16 Wrench



Qty.	Description
12	 A - 1/4-20 X 1/2 HEX CAP SCREW
12	 B - 1/4" SPRING LOCK WASHER

DETAIL A
SCALE 1 : 4



ALL HARDWARE IS STAINLESS STEEL