



## 24" DRUM FAN



MODEL: ILG8M24-70EC

115V 60Hz 0.22HP

24" continuous variable  
speed adjustment

**Owner's Manual**

**PLEASE READ AND  
SAVE THESE INSTRUCTIONS**

# TABLE OF CONTENTS

Important Instructions.....	3
Specifications and Wiring Diagram.....	5
Parts of the Fan .....	6
Installing Instructions.....	7-9
Operating Instructions.....	10-11
Maintenance and Cleaning.....	12
Troubleshooting.....	13

# IMPORTANT INSTRUCTIONS

**CAUTION:** Please read and save these instructions. Read carefully before attempting to assemble, install, operate or maintain the product described. Do not use the fan if any part is damaged or missing. Automatic reset safety device in motor. To reduce risk of injury disconnect power supply before servicing.

Protect yourself and others by observing all safety information. Failure to comply with instructions could result in personal injury and/or property damage!

Retain instructions for future reference.

**WARNING:** To reduce the risk of electric shock, do not expose the fan to water or rain. To reduce the risk of fire or electric shock, do not use this fan with any solid state speed control device. This appliance has a grounded plug. To reduce the risk of fire or electric shock, this plug is intended to fit in an outlet only one way. If the plug does not fit into the outlet, contact a qualified electrician. Do not attempt to bypass this safety feature.

## General Safety Information

**NOTE:** To comply with UL507, air circulator is not to be used in unattended areas.

1. Ensure that the power source conforms to the electrical requirements of the fan.
2. Where a two-prong wall receptacle is encountered, it must be replaced with a properly grounded three prong receptacle installed in accordance with the United States National Electrical Code (NEC) and all applicable local codes and ordinances. This work must be done by a qualified electrician, using copper wire only.
3. Where possible, avoid the use of extension cords. If they must be used, minimize the risk of overheating by ensuring that they are UL Listed and of the proper gauge and length. Never use a single extension cord to operate more than one fan.
4. Do not kink the cord or allow it to contact oil, grease, chemicals, hot surfaces, or sharp or abrasive objects.
5. This fan is to be operated **ONLY** with its OSHA compliant guards in place to prevent persons and/or objects from contacting the revolving propeller. Any other use voids warranty and may create unsafe conditions.
6. Fan is intended for general air circulation **ONLY**. It must **NOT** be used in potentially dangerous locations such as flammable, explosive, chemical-laden, or wet atmospheres. Do not use fan in or near a window, since rain may create an electrical hazard. Do not attach ductwork to the fan.

7. Fan motor is equipped with an automatically resetting control circuit that will disconnect power if the motor overheats. Always unplug fan before removing guard, as motor may restart unexpectedly.
8. Do not operate any fan with a damaged cord or plug. Discard fan or return to an authorized service facility for examination and/or repair.
9. Do not run cord under carpeting. Do not cover cord with throw rugs, runners, or similar coverings. Do not route cord under furniture or appliances. Arrange cord away from traffic area and where it will not be tripped over.
10. Disconnect the fan when moving it from one location to another.
11. Make sure the fan is on a stable, flat surface while it is in operation.
12. Disconnect the fan when removing the guards for cleaning.

**WARNING:** Use of a three-prong to two-prong adapter is not recommended. Improper connection may create the risk of electrocution. Use of such adapters is prohibited in Canada.

**WARNING:** Do not depend on any switch as the sole means of disconnecting power when installing or servicing the fan. Failure to do so may result in fatal electrical shock.

**WARNING:** Do not insert fingers or foreign objects into the fan. Do not block or tamper with the fan in any manner while it is in operation.

**WARNING:** Do not touch motor. May be hot enough to cause injury.

**WARNING:** Unplug prior to servicing unit.

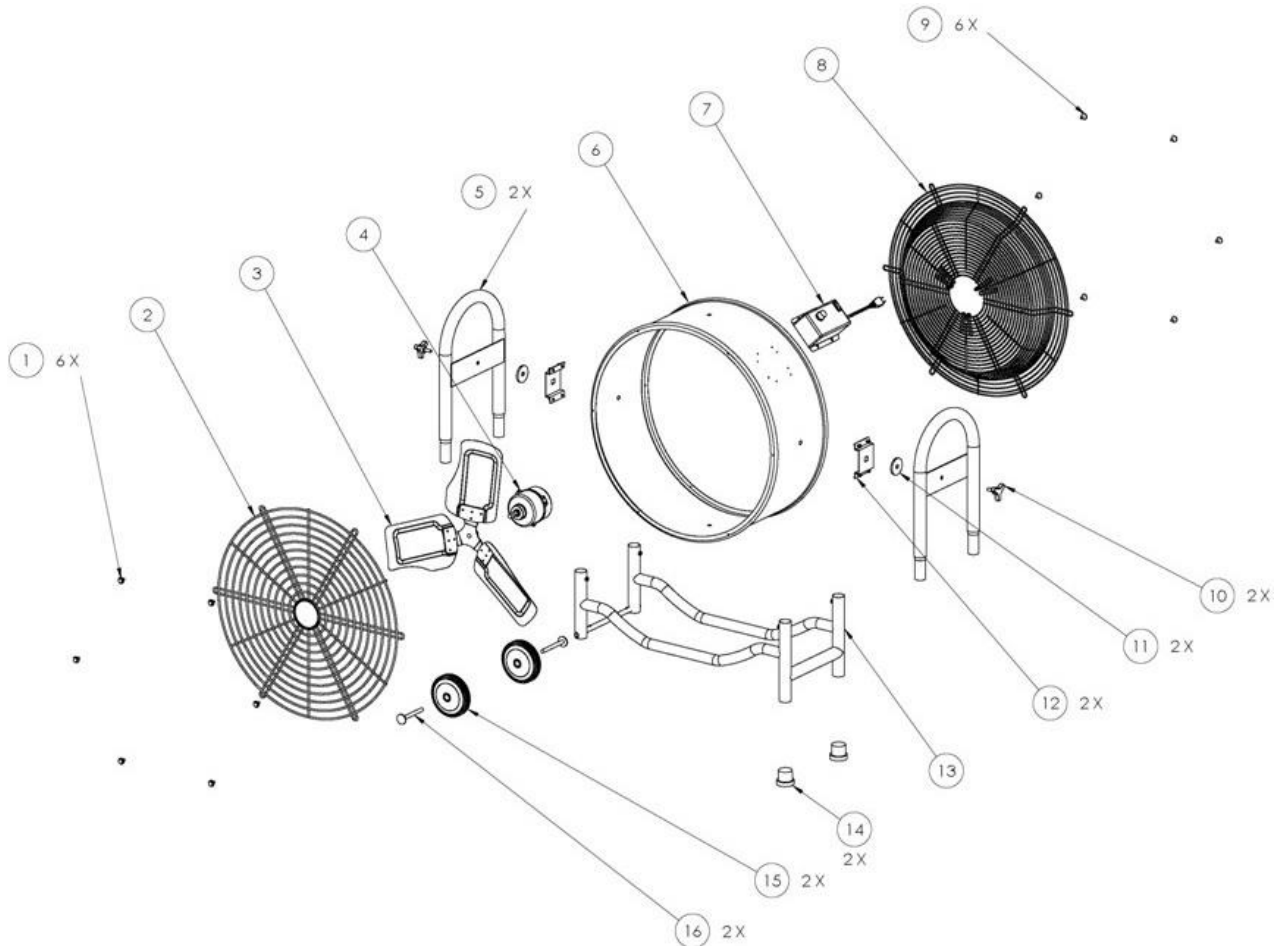
**WARNING:** To reduce the risk of fire or electric shock, do not use this fan with any speed control device.

**SAVE THESE INSTRUCTIONS**

# SPECIFICATION

Model: ILG8M24-70EC

115V 60Hz 0.22HP



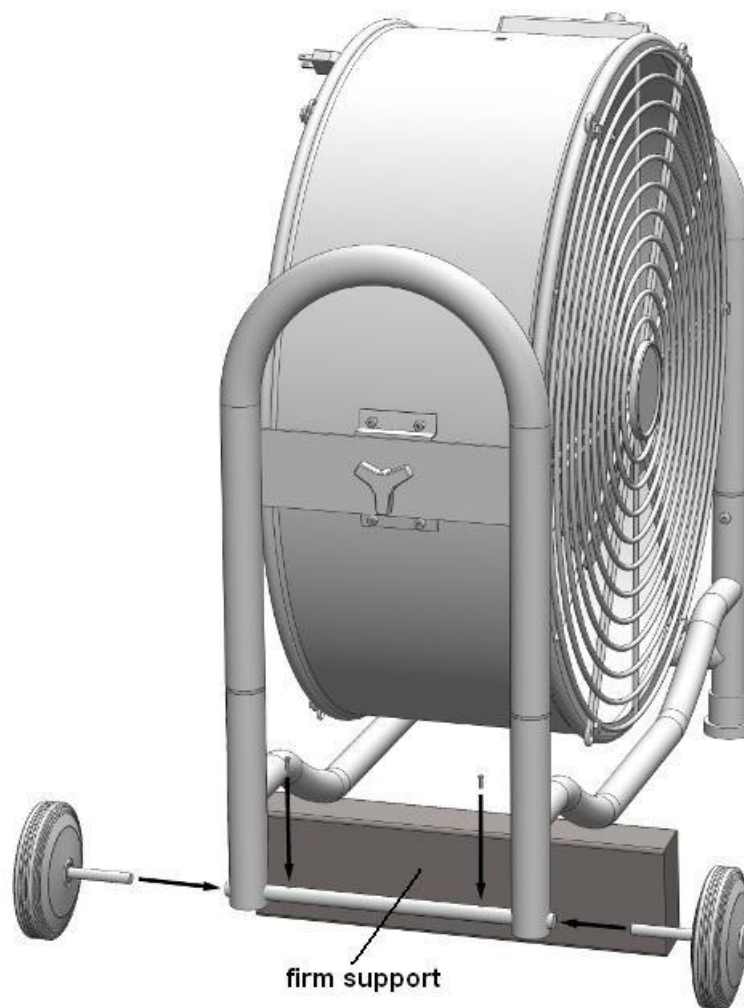
- |  |                  |
|--|------------------|
| 1. Front grill screws and washers            | 2. Front grill   |
| 3. Propeller                                 | 4. Motor         |
| 5. Side handle                               | 6. Drum          |
| 7. Controller, power switch and speed adjust | 8. Back grill    |
| 9. Back grill screws and washers             | 10. Tilt knob    |
| 11. Washer                                   | 12. Drum Bracket |
| 13. Base Rack                                | 14. Rubber feet  |
| 15. Wheels                                   | 16. Wheel shaft  |

# INSTALLATION INSTRUCTION

The drum fan has been fully assembled except the wheels.

## Wheel Assembly Instructions

1. Place the drum fan on a flat and level floor.
2. Lift and support the base rack for assemble of the wheels.
3. Remove the two screws and washers from each wheel axle assembly.
4. Insert the axle assembly into the frame tubing.
5. Align threaded holes of axle with holes in frame tubing and reinsert screws and washers. Tighten the screw.
6. Ensure wheels turn freely.



# OPERATION INSTRUCTION

## Speed Control:

1. This fan employs the latest technology of EC (electronic commutator) and electronic control.
2. Switch on the fan.
3. Speed adjustment by the adjustment knob. Speed is continuously variable from 200 (min) to 1200 (max) rpm.
4. Turn the knob in clockwise direction will speed up the fan and vice versa will slow down the fan until stop.
5. Adjust the fan speed to your desired rate. Turn the knob slowly as the fan requires time to speed up or slow down.

You can keep the desired speed when you switch off the fan. The next time you switch on the fan, as long as the knob is at the previous position, the fan will rotate at that speed.

## CAUTION:

Rotation will always have some natural resonance frequency. This fan has a wide spread of speed adjustment which may have encounter this resonance at one or two speeds.

At a speed when resonance occurs, the whole fan will vibrate somewhat vigorously and with shaking noise.

When you notice the fan is vibrating, this may be the resonance. Too much resonance will damage the fan. Please skip this speed and you will notice that the fan ceases to vibrate immediately.

Resonance is a natural physical phenomenon. Please skip the speed that will cause the resonance.

# MAINTENANCE AND CLEANING

**WARNING:** Parts replacement and troubleshooting to be performed only by qualified personnel.

**WARNING:** Do not depend on any switch as the sole means of disconnecting power when installing or servicing the fan. Failure to do so may result in fatal electrical shock.

**WARNING:** Unplug the fan from the wall outlet before servicing or cleaning.

**CAUTION:** There are no user-serviceable parts except regular cleaning as described in this user manual. All other servicing or maintenance should be performed by qualified service personnel.

To clean the fan, use a soft damp cloth. Wipe down with a dry cloth. Do not use cleaners that are harmful to paints or plastics.

**CAUTION:** Do not use gasoline, benzene, thinner, harsh cleaners, etc., which are dangerous and will damage the air circulator.

The propeller, guard, and motor should be cleaned periodically to prevent overheating, and/or operating in an imbalanced condition.

**CAUTION:** If cleaning requires the removal of a guard, remove only the front guard and re-install when finished in its originally installed position. Do not repair propeller if it becomes damaged. The propeller is accurately balanced at the factory and should be replaced if damaged.

Do not bend the propeller. The propeller is accurately balanced at the factory and should be replaced if damaged.

Do not repair propeller if it becomes damaged.

**IMPORTANT:** Ensure that propeller is replaced in correct direction as factory installed.

Motor is permanently lubricated.



# TROUBLE SHOOTING

If your fan fails to operate, please follow these Instructions:

1. Make sure the fan is plugged in and the electrical outlet is working properly.
2. Check for any obstruction. If you find an obstruction, turn the fan "OFF". Unplug the fan and carefully remove the obstruction.

Plug the fan in and turn it on again and see if it resumes normal.

**NOTE: IF YOU EXPERIENCE A PROBLEM WITH YOUR FAN, PLEASE DO NOT ATTEMPT TO OPEN OR REPAIR THE FAN YOURSELF. DOING SO COULD CAUSE DAMAGE OR PERSONAL INJURY. Always consult the manufacturer or a certified electrician for further action.**

## **Product Specifications**

**Model#:** ILG8M24-70EC

**Voltage:** 115V, 60Hz

**Current:** 3.4 amps;

**Power:** 265 Watts

iLIVING USA  
239 Harbor Way  
South San Francisco, CA 94080  
Tel: 800-317-1688  
Email: [service@ilivingusa.com](mailto:service@ilivingusa.com)