



Highline® Classic

The Complete Solution® Toilet

K-11499

Features

- Vitreous china.
- Comfort Height® elongated bowl.
- Class Five® flushing system.
- Includes left-hand polished chrome trip lever.
- 1.28 gpf (4.8 lpf).
- 2-1/8" (54 mm) glazed trapway.
- 12" (305 mm) rough-in.
- Less supply.
- Includes Brevia seat (K-4774).
- 11-3/8" (289 mm) x 8" (203 mm) water area.
- 29-1/2" (749 mm) x 19-5/8" (498 mm) x 30-3/8" (772 mm).
- Floor Mount / Floor Outlet.

Optional Accessories

- K-4731-C Commercial Heavy-duty Toilet Seat
- K-7637 Angle Supply with Stop (single)
- K-4108 Toilet Seat with Cleansing Functionality

Components

- Product includes:
- K-4436 Toilet Tank
 - K-4199 Comfort Height® Elongated Bowl
 - K-4774 Toilet Seat
- Additional included component/s: Tank cover, Trip lever, Wax ring, and Hardware Kit.



ADA **CSA B651** **OBC**

Codes/Standards

- ASME A112.19.2/CSA B45.1
- DOE - Energy Policy Act 1992
- EPA WaterSense®
- California Energy Commission (CEC)
- ADA
- ICC/ANSI A117.1
- CSA B651
- OBC

KOHLER® One-Year Limited Warranty

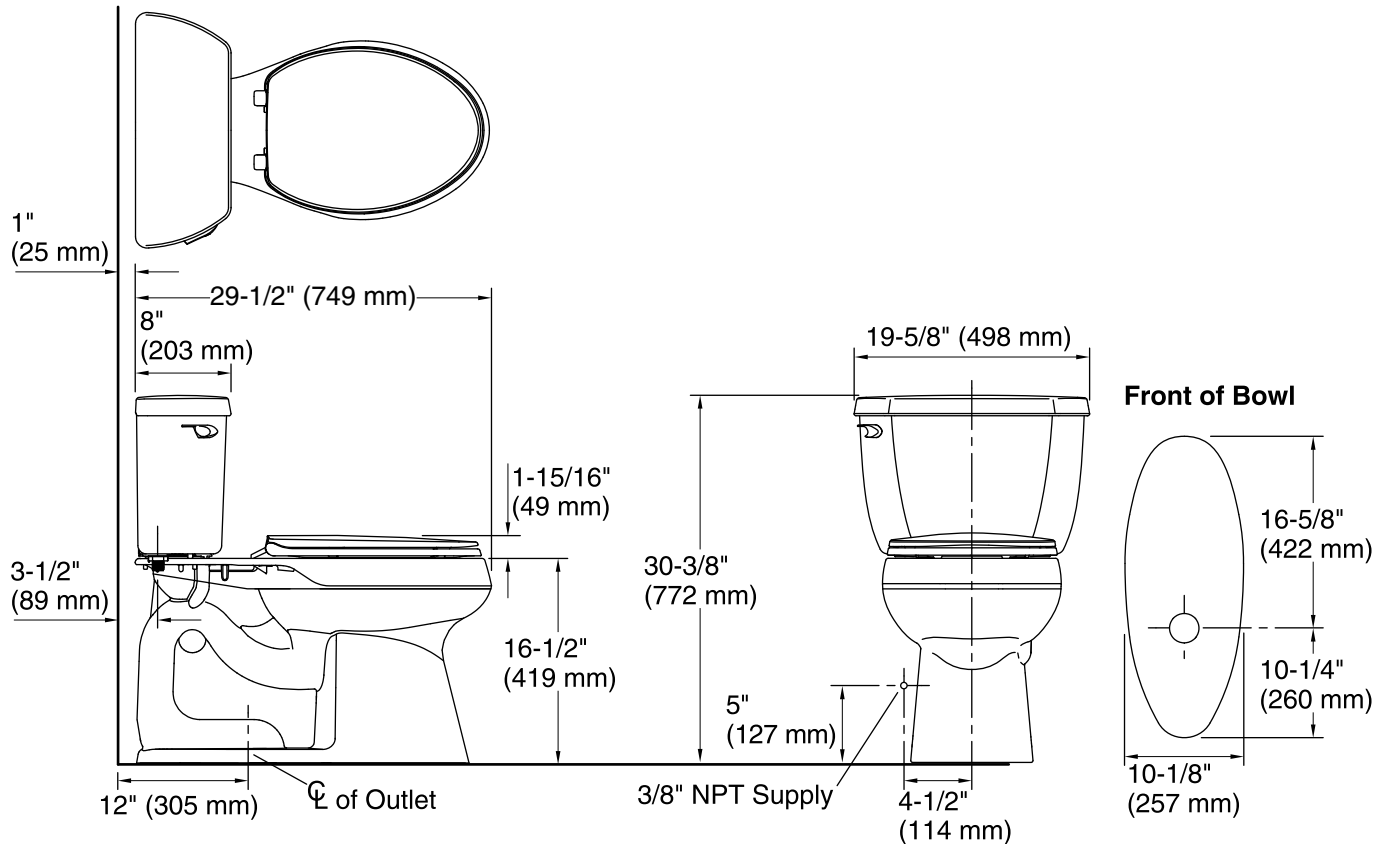
See website for detailed warranty information.

Available Color/Finishes

Color tiles intended for reference only.

Color Code Description

	0
	96



Technical Information

All product dimensions are nominal.

Toilet type:	Two-piece, Floor-mount
Waste Outlet:	Floor
Bowl shape:	Elongated front
Flush type:	Gravity siphon jet
Trap passageway:	2-1/8" (54 mm)
Water Consumption	
Full:	1.28 gpf (4.8 lpf)
Water surface size:	11-3/8" x 8" (289 mm x 203 mm)
Rim to water surface:	5-3/8" (137 mm)
Seat-mounting holes:	5-1/2" (140 mm)

Notes

Install this product according to the installation instructions.

For back-to-back installations, the toilet shall be connected to the vertical stack using one of the three following fittings: double fixture fitting, double combination wye and 1/8 bends, or double wye and 1/8 bends.

ADA, OBC, CSA B651 compliant when installed to the specific requirements of these regulations.

Plumbing Codes require elongated toilets and elongated, open-front toilet seats in public bathrooms.

Accessibility standards require controls to be located on the open side of the toilet.