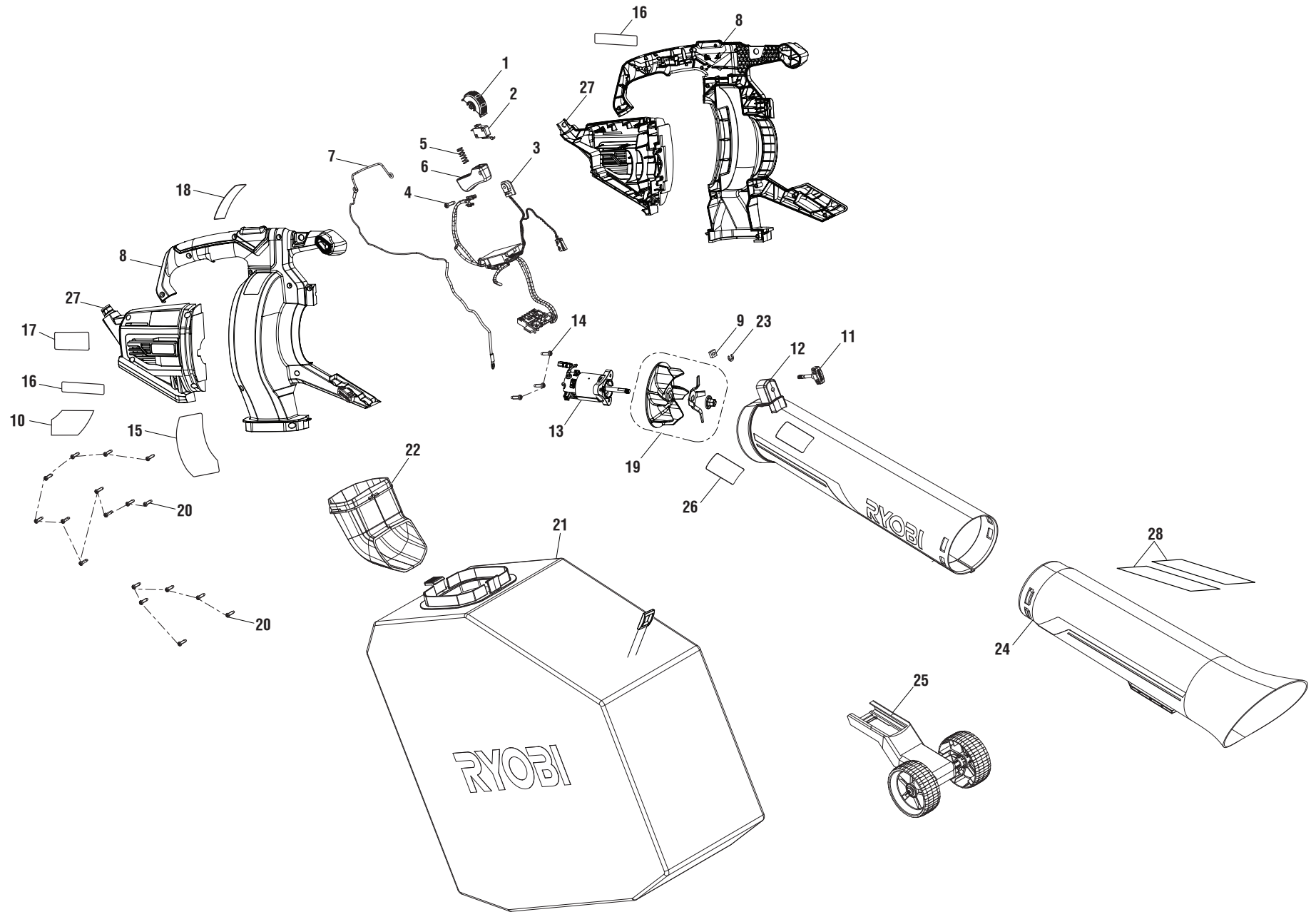


**RYOBI**  
**40 Volt Leaf Vac**  
**Mfg. No. 107835001**  
**Item No. RY40405**  
**Repair Sheet**

**TECHTRONIC INDUSTRIES POWER EQUIPMENT**

P.O. Box 1288, Anderson, SC 29622 USA  
1-800-860-4050 • [www.ryobitools.com](http://www.ryobitools.com)

RYOBI 40V LEAF VAC – MODEL NUMBER RY40405



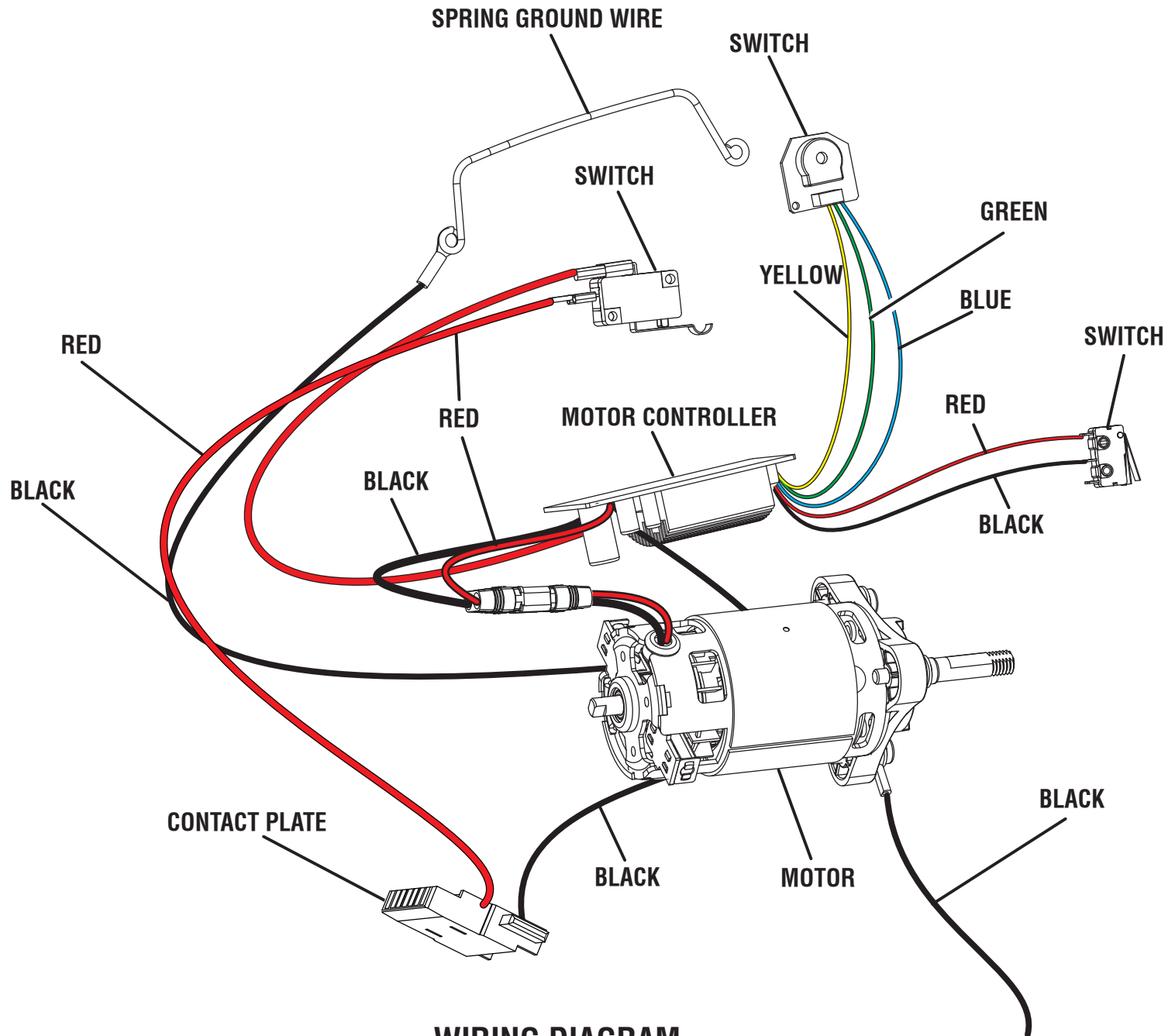
## RYOBI 40V LEAF VAC – MODEL NUMBER RY40405

The model number will be found on a label attached to the motor housing. Always mention the model number in all correspondence regarding your **VAC** or when ordering repair parts.

### PARTS LIST

KEY NO.	PART NUMBER	DESCRIPTION	QTY	KEY NO.	PART NUMBER	DESCRIPTION	QTY
1	205104001	Dial Lever Assembly .....	1	17	941851060	Data Label .....	1
2	760629001	Switch (Micro).....	1	18	940851436	Warning Icon Label.....	1
3	205105001	Motor Controller & Battery Holder Assembly ...	1	19	205111001	Blade Assembly.....	1
4	660203073	Screw (M3 x 6 mm, Pan Hd.).....	1	20	661817001	Screw (M4 x 14 mm, T15 Torx Pan Hd.).....	17
5	695017001	Compression Spring.....	1	21	205110001	Bag Assembly.....	1
6	536363001	Trigger.....	1	22	314009001	Leaf Chute .....	1
7	205106001	Hand Wire Assembly .....	1	23	658178001	Retaining Ring .....	1
8	205107001	Handle Housing Assembly (Inc. Key Nos. 10, 15 & 18) .....	1	24	205113001	Lower Tube Assembly (Inc. Key No. 28).....	1
9	T662805001	Square Nut (M5).....	1	25	314148001	Wheel Assembly .....	1
10	940657323	Caution Label .....	1	26	941851064	Start Label .....	1
11	533088002	Knob .....	1	27	205109001	Motor Housing Assembly (Inc. Key Nos. 16-17) .....	1
12	205108001	Upper Tube Assembly (Inc. Key No. 26).....	1	28	940705441	Vac Attack Label.....	2
13	205112001	Motor Assembly .....	1	<b>Not Shown:</b>			
14	662052001	Screw (M5 x 15.5 mm, T25 Torx Pan Hd.).....	3		995000561	Operator's Manual	
15	941851061	Warning Label (French & Spanish) .....	1		10-18-18		
16	941851059	Logo Label.....	2		(Rev:01)		

RYOBI 40V LEAF VAC – MODEL NUMBER RY40405



WIRING DIAGRAM