



TABLE OF CONTENTS

---

**Options**

Grid Options .....	2
Grille Patterns .....	3
Trim Options .....	4
Clear Opening Layout .....	5

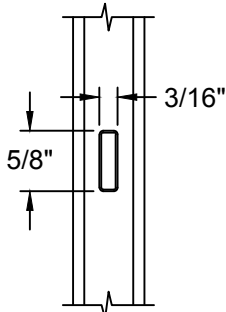
**Section Details**

Operator:	
Vertical Section .....	6
Horizontal Section .....	7
Twin - Horizontal Section .....	8
Fixed In-Sash:	
Vertical Section .....	9
Horizontal Section .....	10
Direct Set:	
Vertical Section .....	11
Horizontal Section .....	12
Flush Fin:	
Vertical Section .....	13
Horizontal Section .....	14
Transom:	
RS Casement - Vertical Section .....	15
Fixed Direct Set - Vertical Section .....	16
Bay:	
30° - Horizontal Section .....	17
45° - Horizontal Section .....	18
10° Bow:	
Vertical Section .....	19
3 Wide Horizontal Section .....	20
4 Wide Horizontal Section .....	21
5 Wide Horizontal Section .....	22

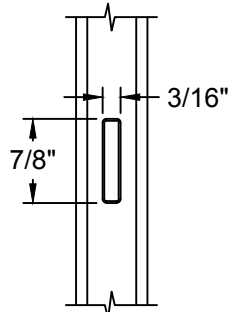


GRID OPTIONS

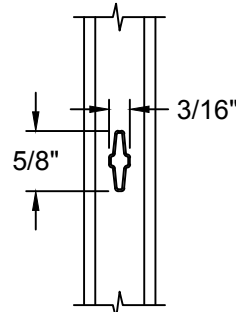
← Exterior / Interior →



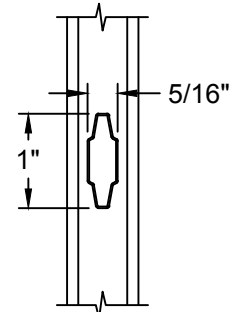
5/8" Flat GBG



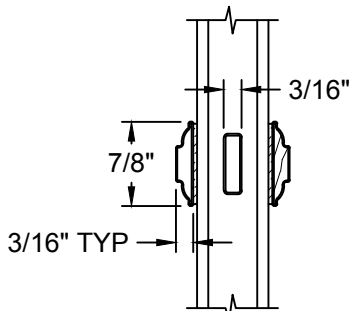
7/8" Flat GBG



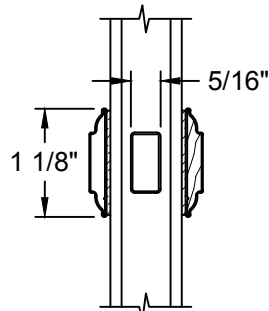
5/8" Contour GBG



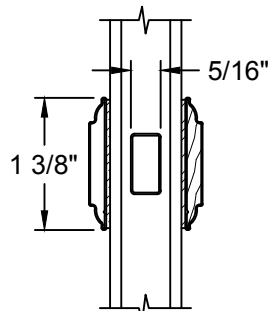
1" Contour GBG



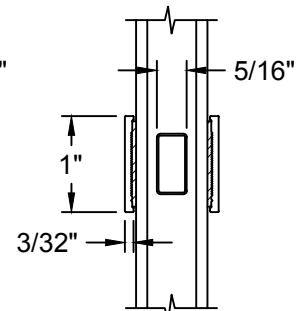
7/8" Contour SDL



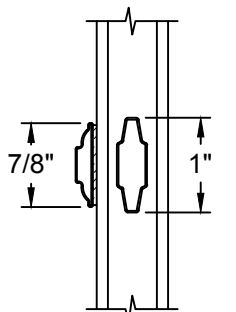
1 1/8" Contour SDL



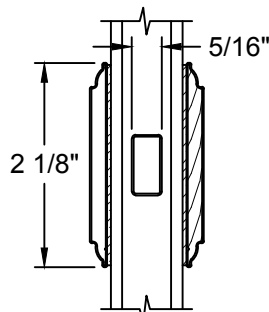
1 3/8" Contour SDL



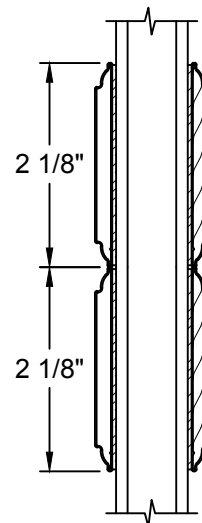
1" Flat SDL



7/8" Contour SDL  
1" Contour GBG



2 1/8" Variable SDL  
Non-Intersecting Only



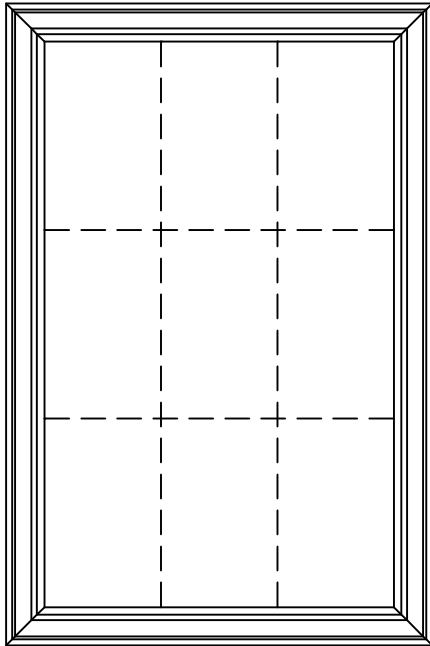
Dual 2 1/8" Variable SDL  
Non-Intersecting Only

Note: SDL tape thickness is .04"

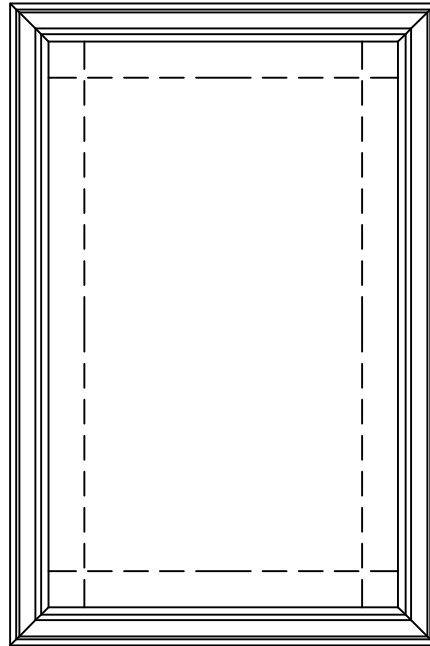


GRILLE PATTERNS

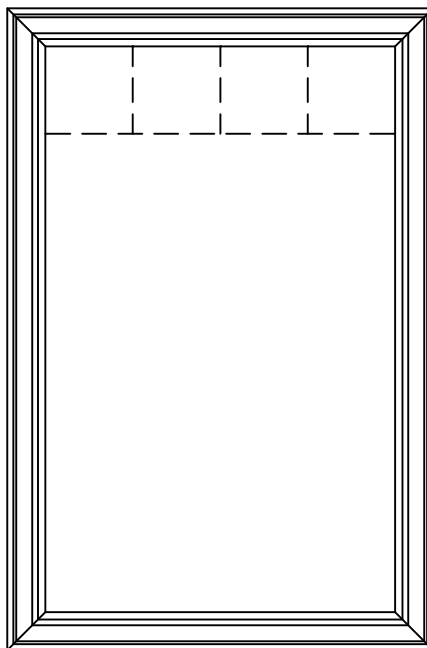
---



Colonial



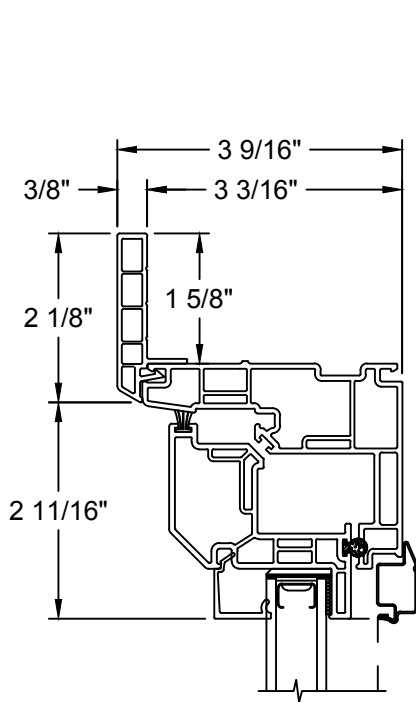
Prairie Glass



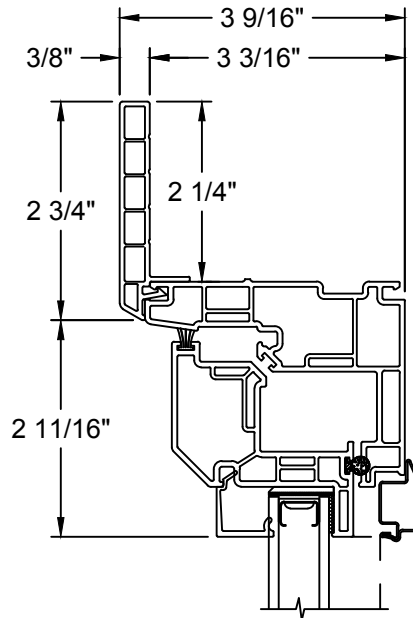
Colonial Top Down



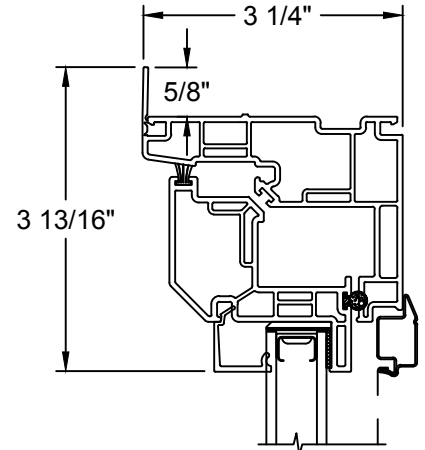
TRIM OPTIONS



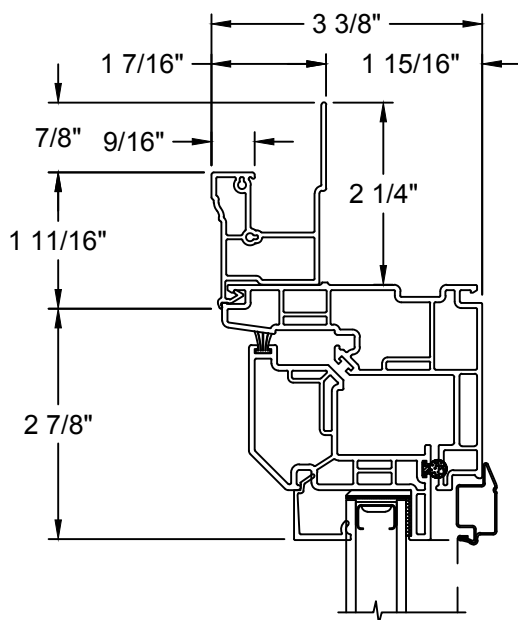
1 5/8" Flush Fin



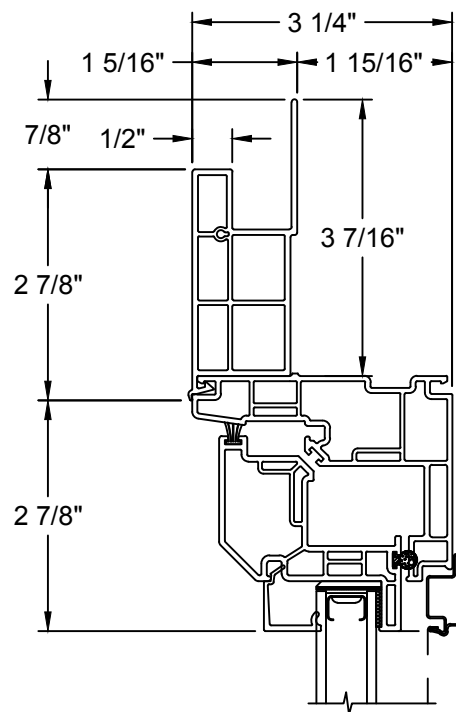
2 1/4" Flush Fin



Florida Flange



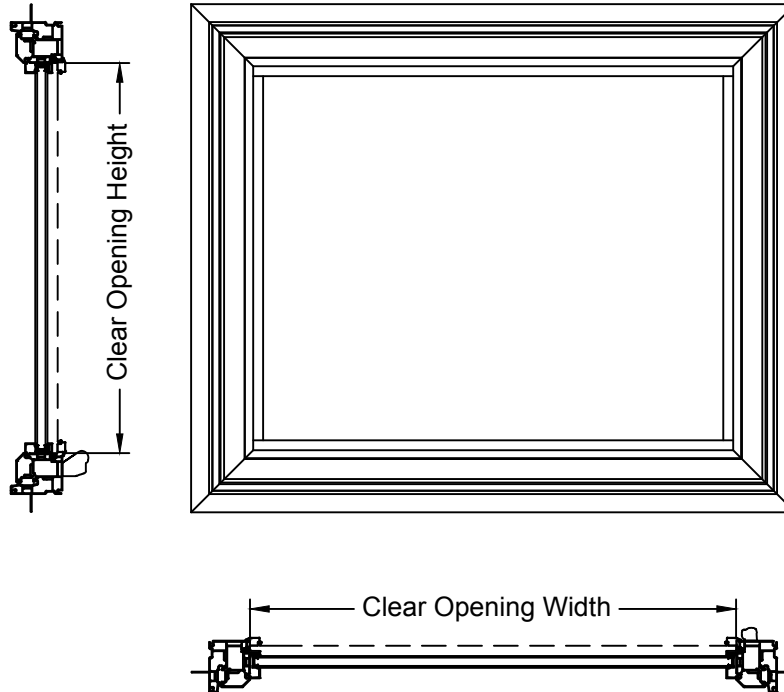
Brickmould



Flat Casing



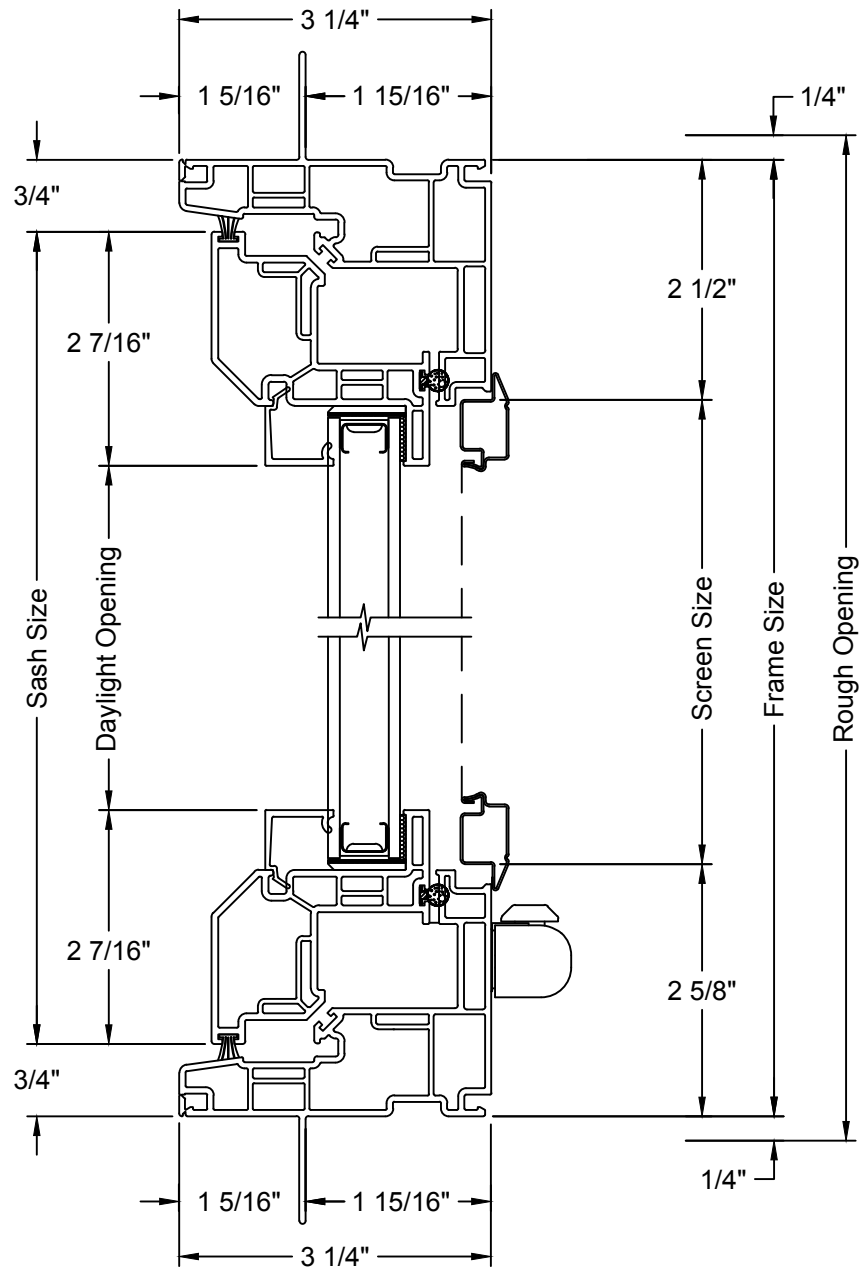
CLEAR OPENING LAYOUT



Clear Opening Formulas		
Window Type	Clear Opening Width	Clear Opening Height
Standard Casement	Frame Width - 11.612"	Frame Height - 5.126"
Casement w/ Egress Hinge	Frame Width - 7.227"	Frame Height - 5.126"

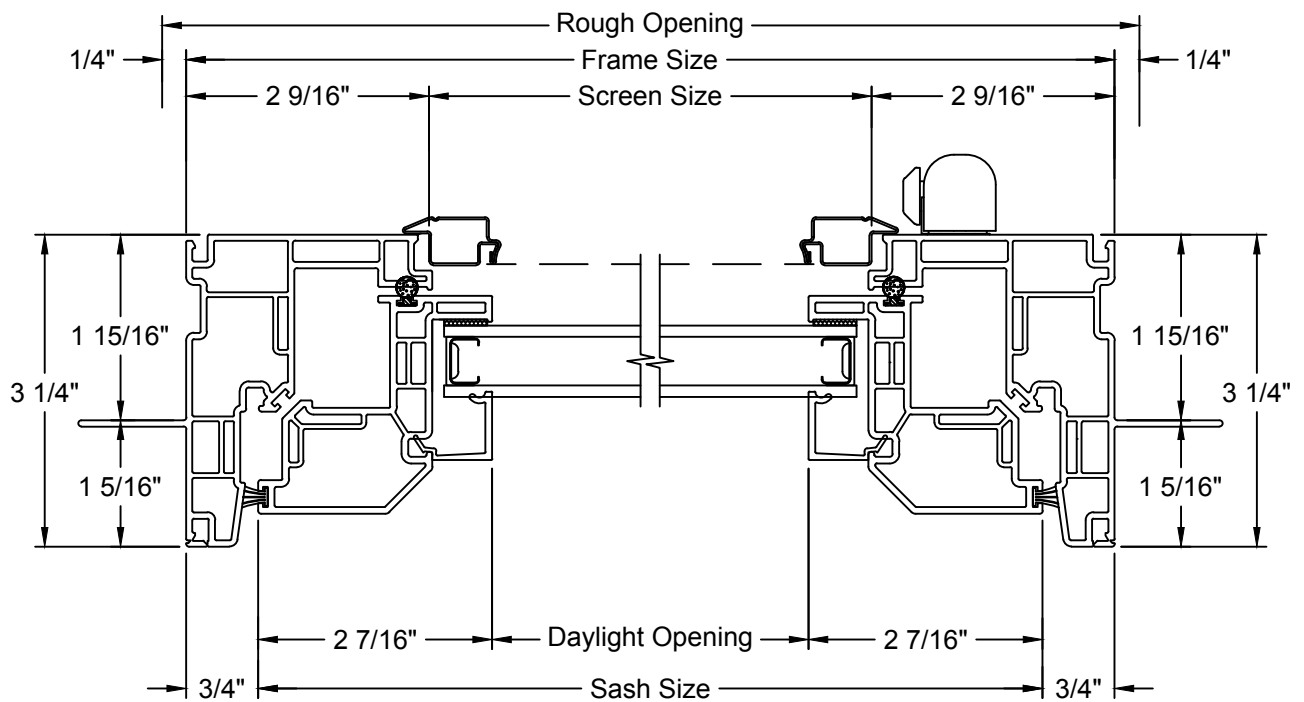


OPERATOR - VERTICAL SECTION



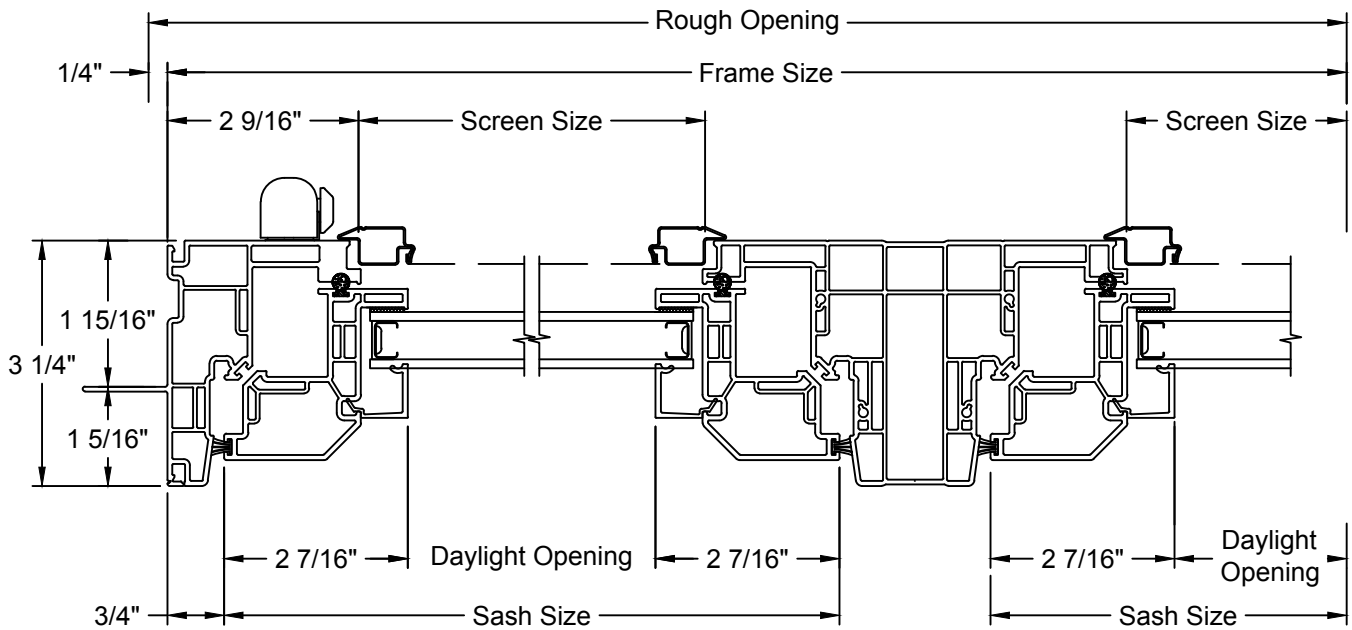


OPERATOR - HORIZONTAL SECTION





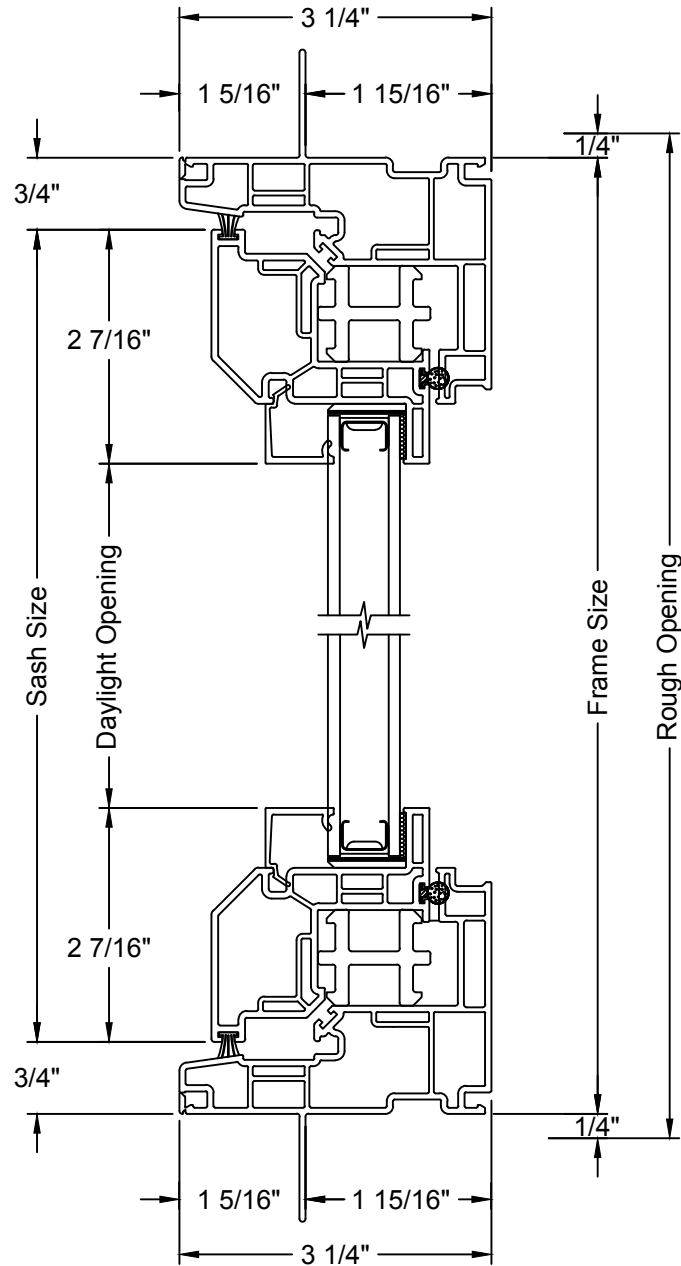
TWIN OPERATOR - HORIZONTAL SECTION





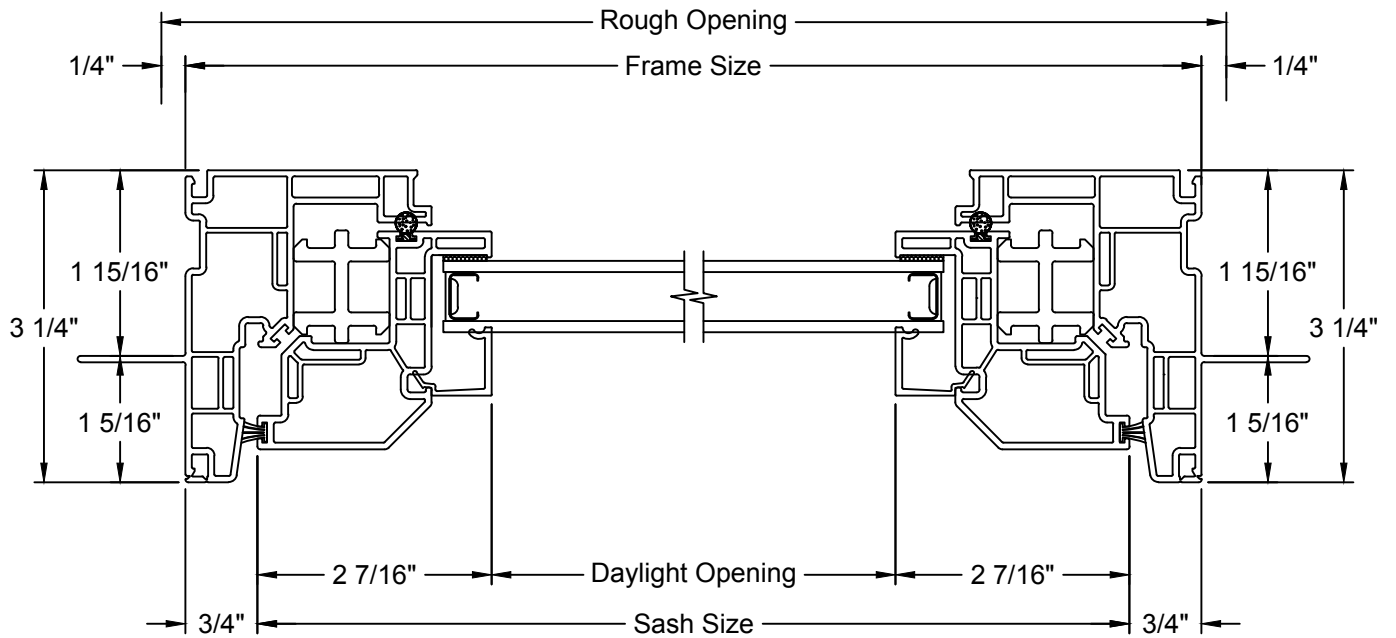


FIXED IN-SASH - VERTICAL SECTION



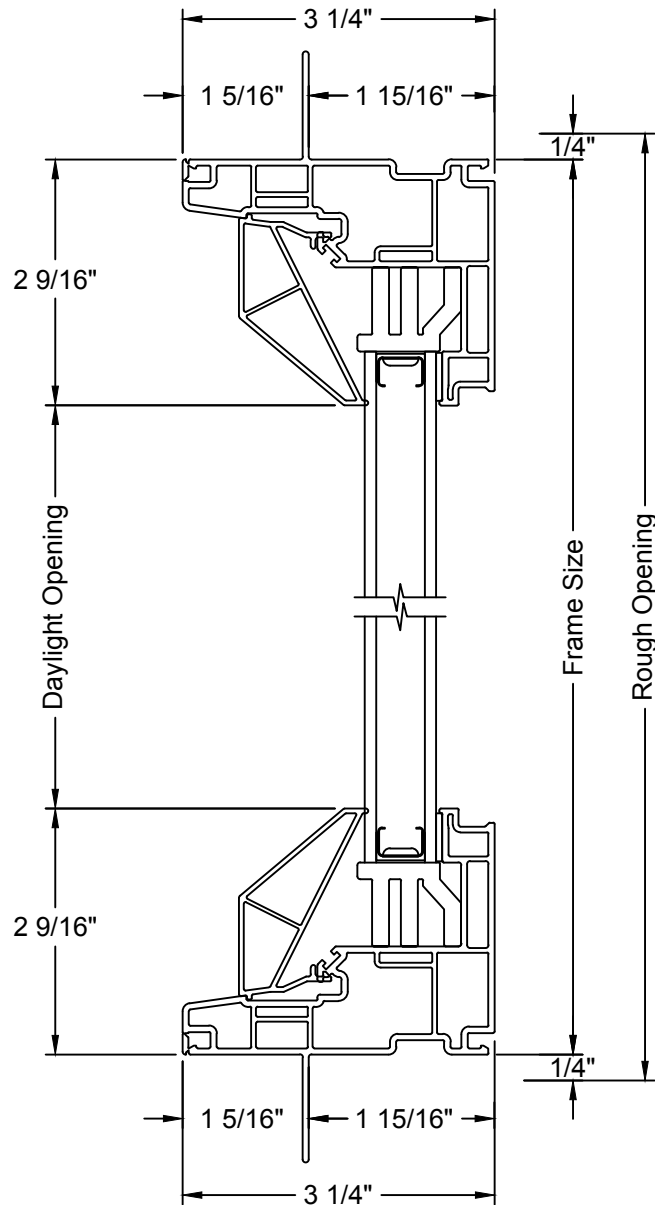


FIXED IN-SASH - HORIZONTAL SECTION



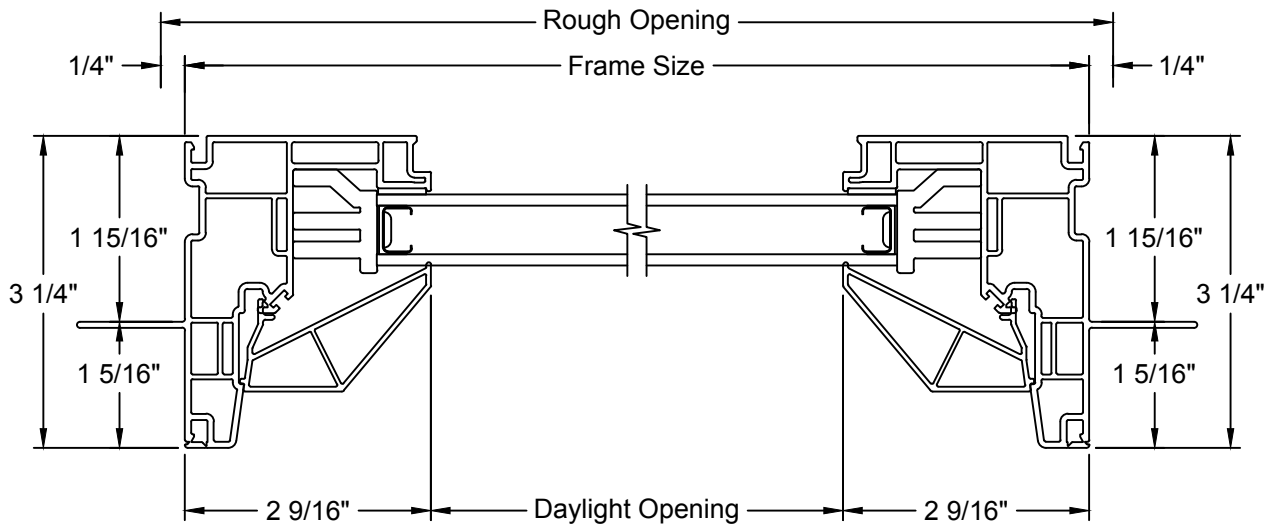


DIRECT SET - VERTICAL SECTION



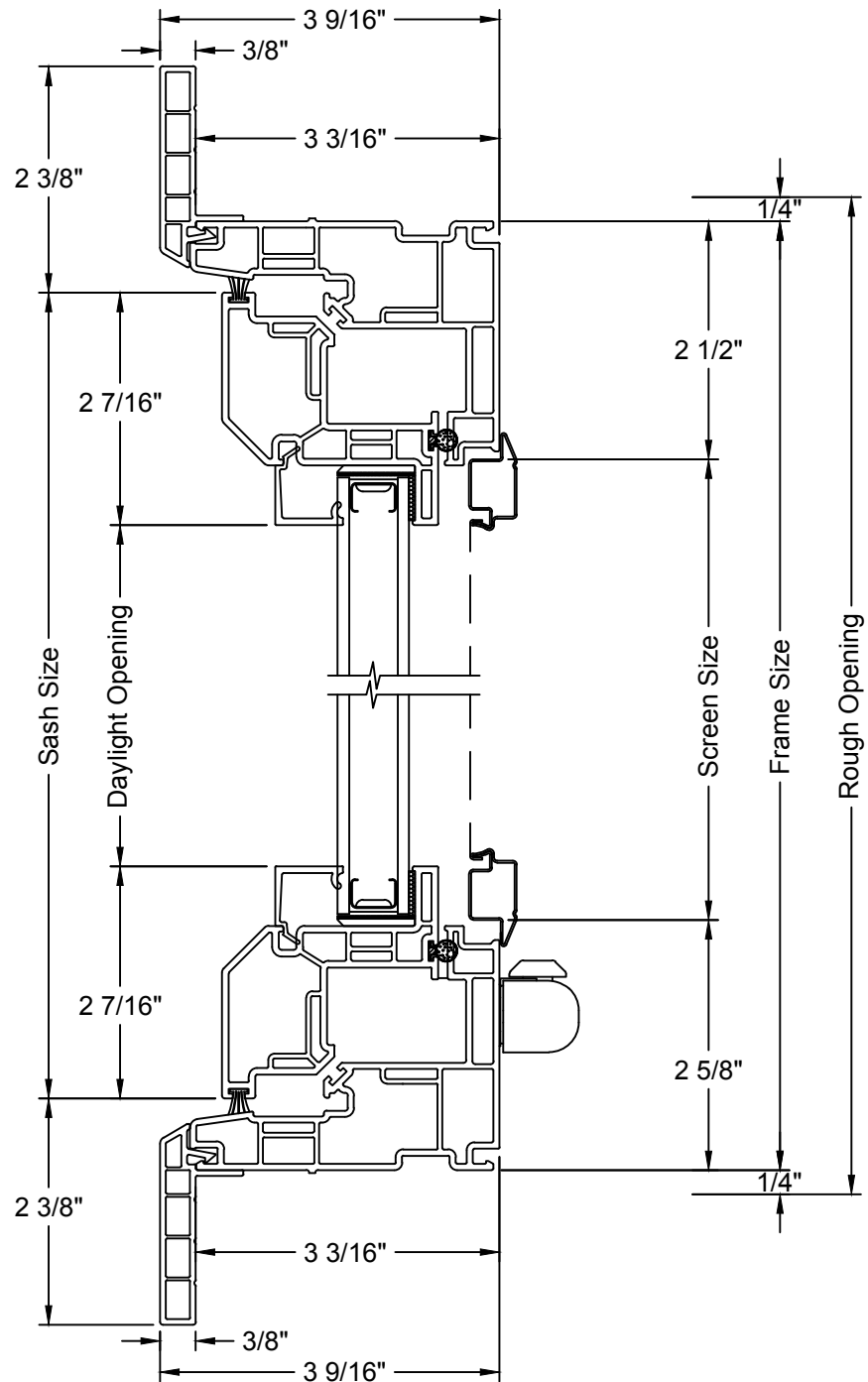


DIRECT SET - HORIZONTAL SECTION



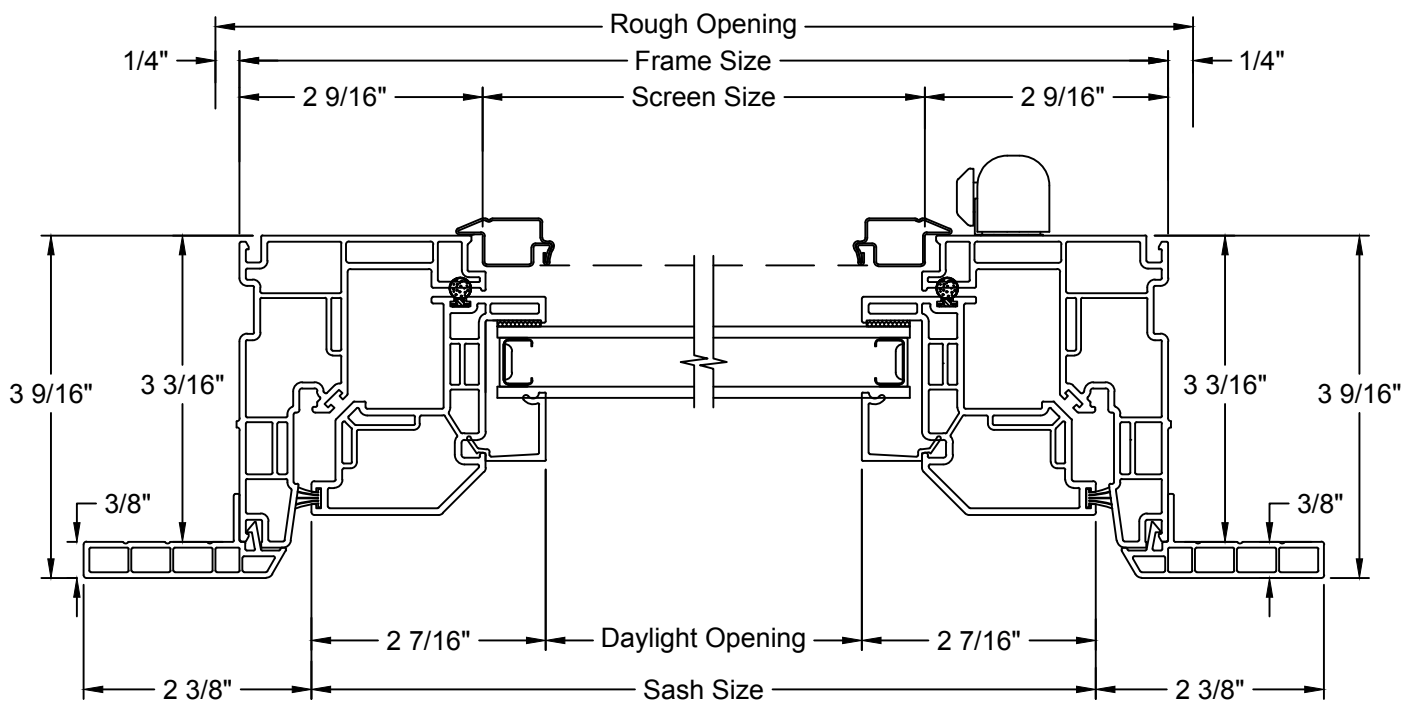


FLUSH FIN - VERTICAL SECTION





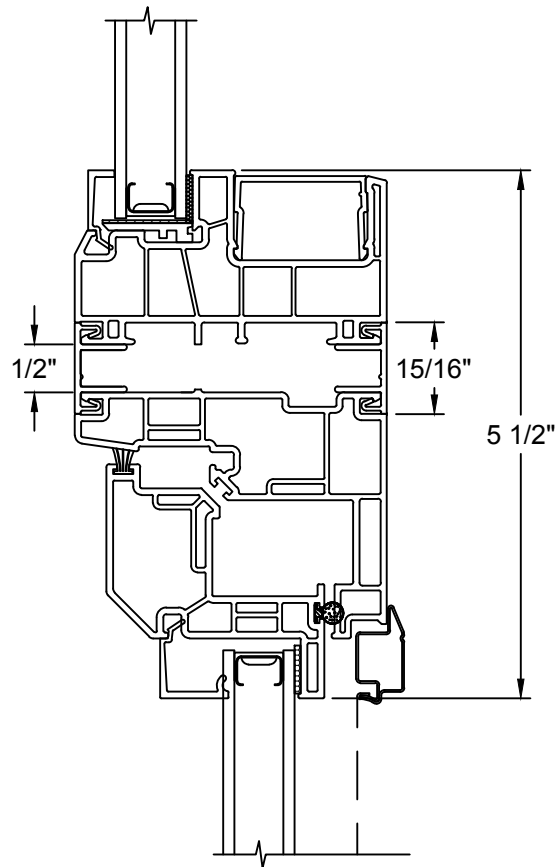
FLUSH FIN - HORIZONTAL SECTION





RS CASEMENT W/ TRANSOM - VERTICAL SECTION

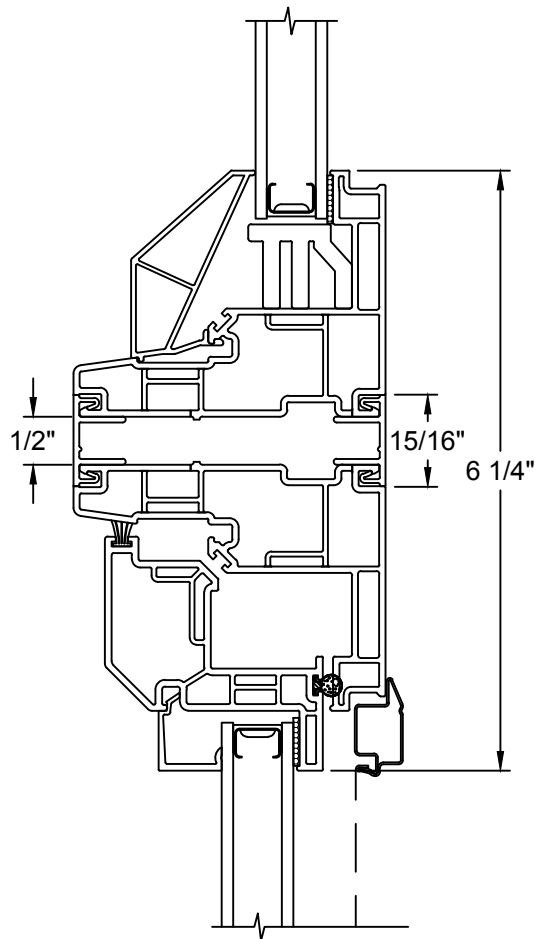
---





FIXED DIRECT SET TRANSOM - VERTICAL SECTION

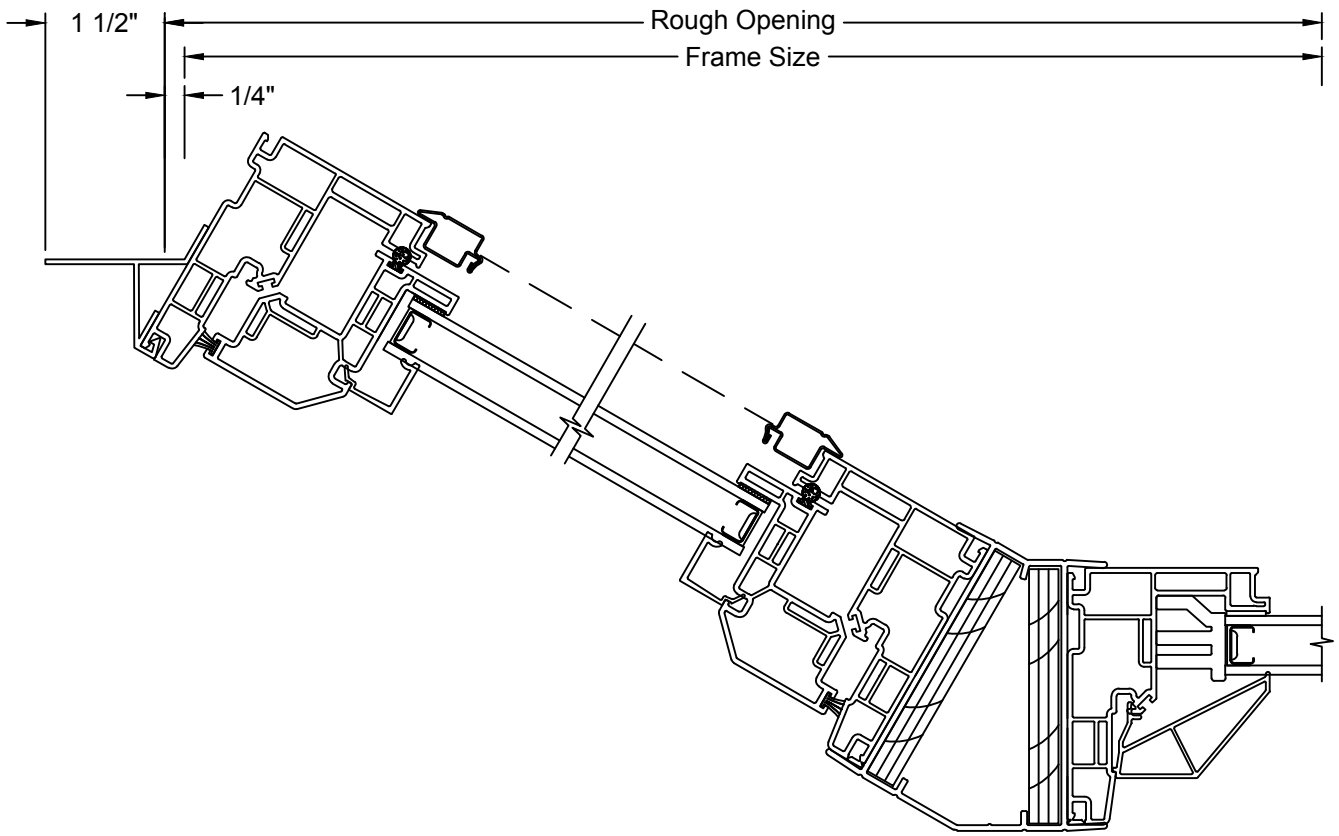
---





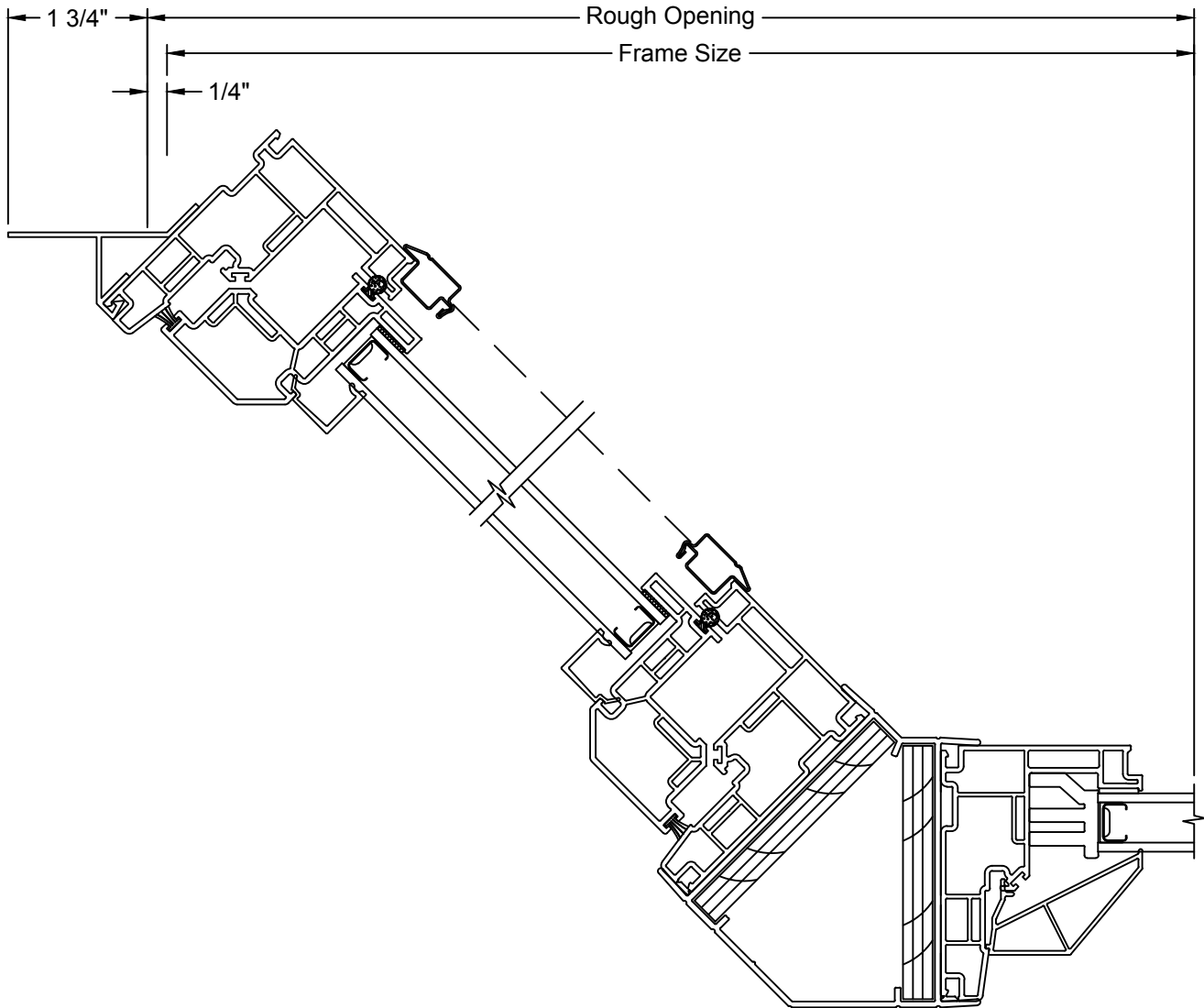


30° BAY - HORIZONTAL SECTION



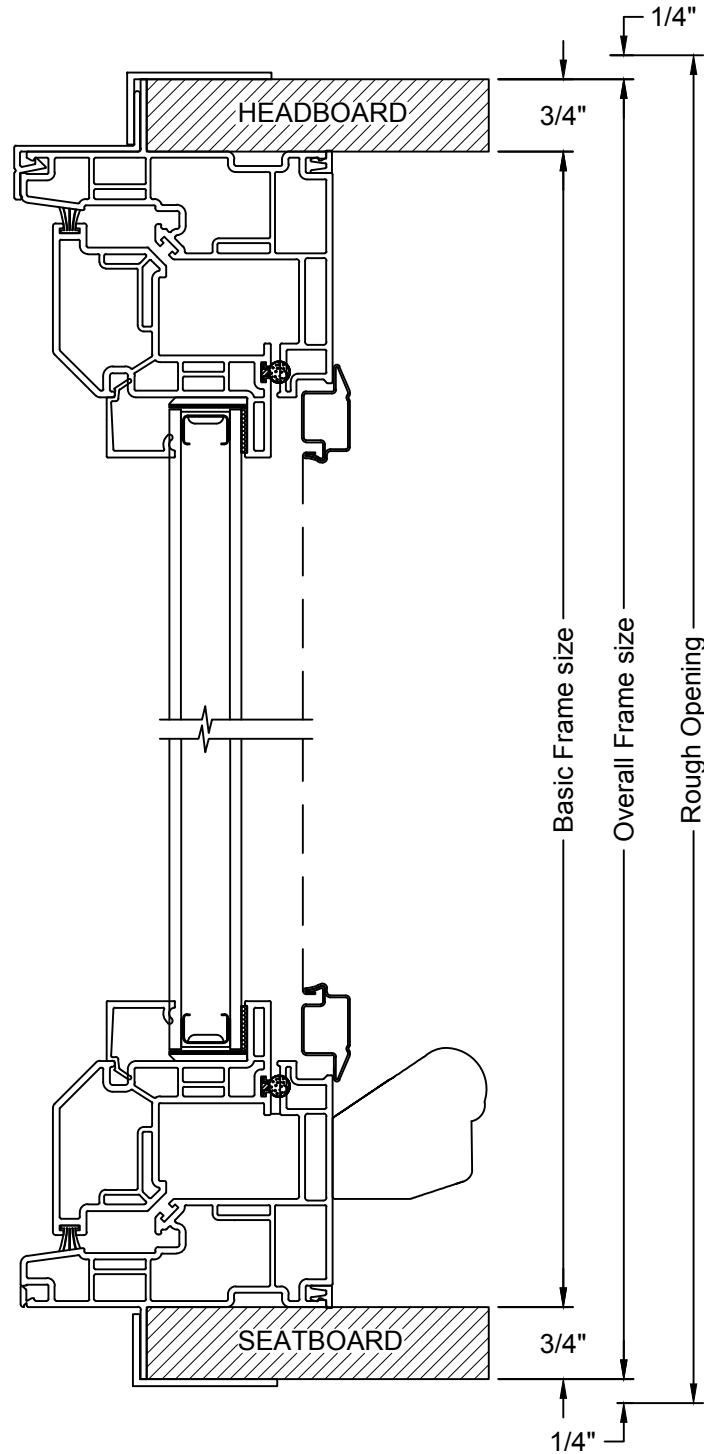


45° BAY - HORIZONTAL SECTION



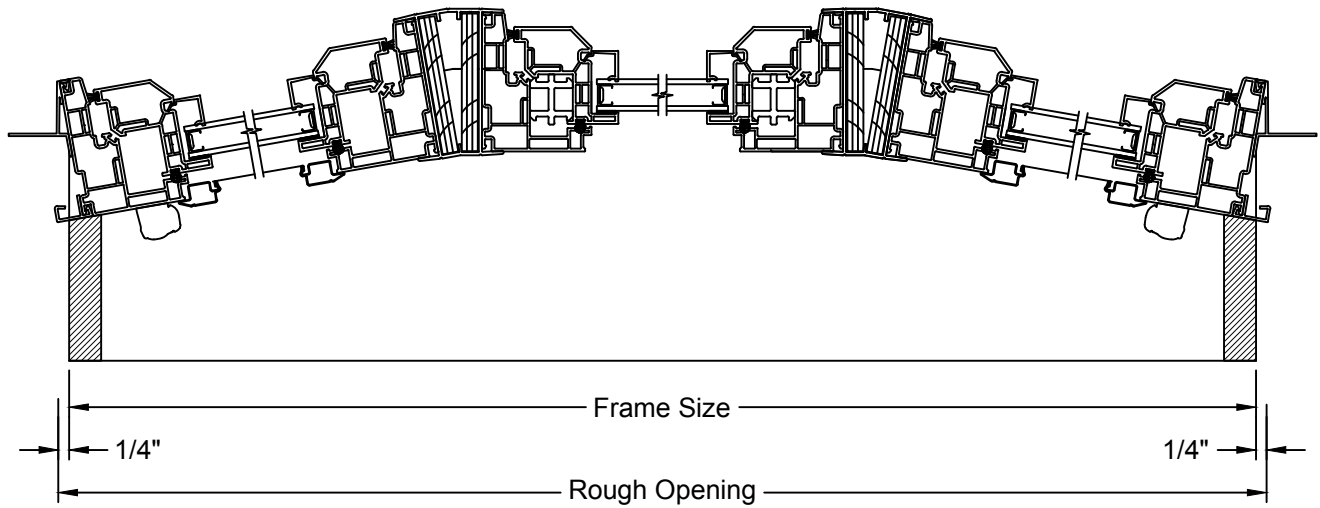


10° BOW - VERTICAL SECTION



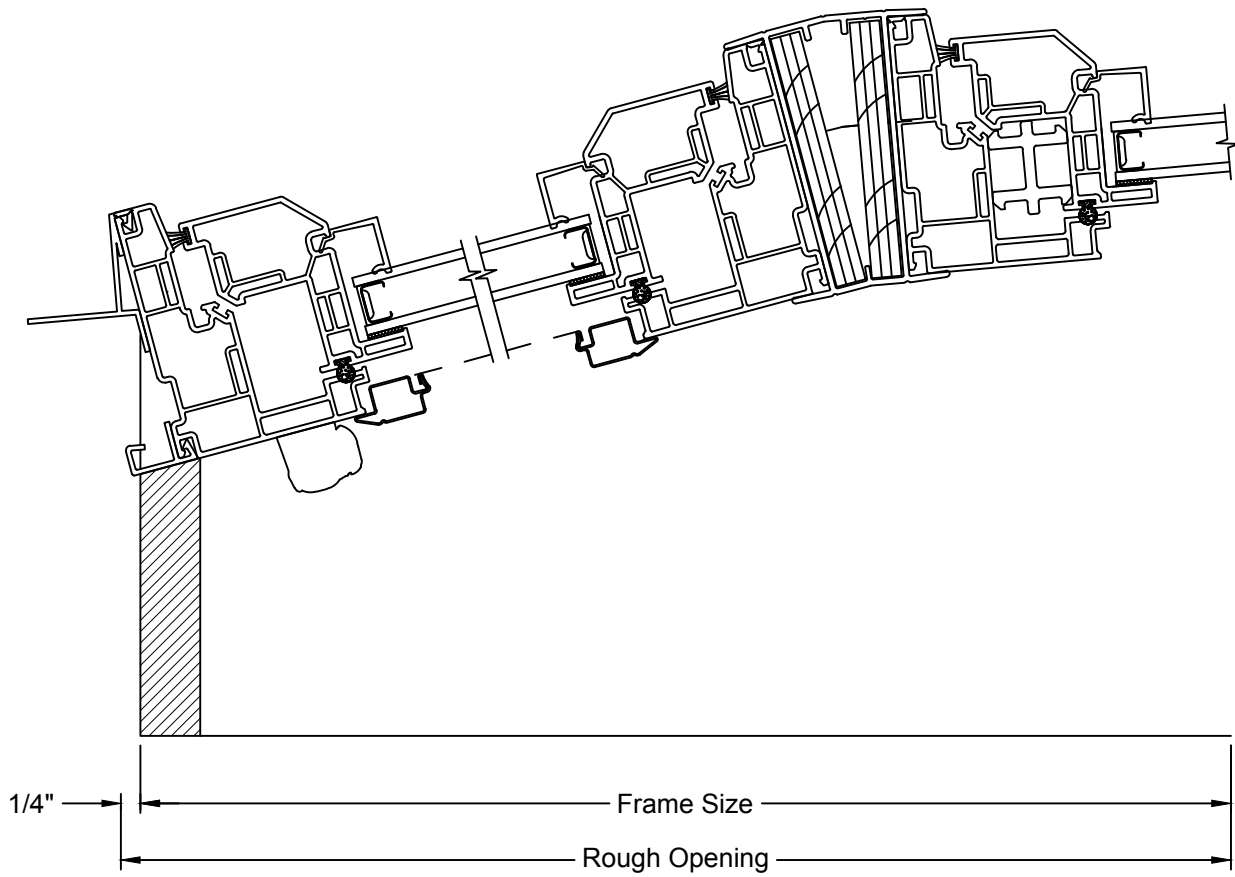


10° BOW 3 WIDE - HORIZONTAL SECTION





10° BOW 4 WIDE - HORIZONTAL SECTION





10° BOW 5 WIDE - HORIZONTAL SECTION

