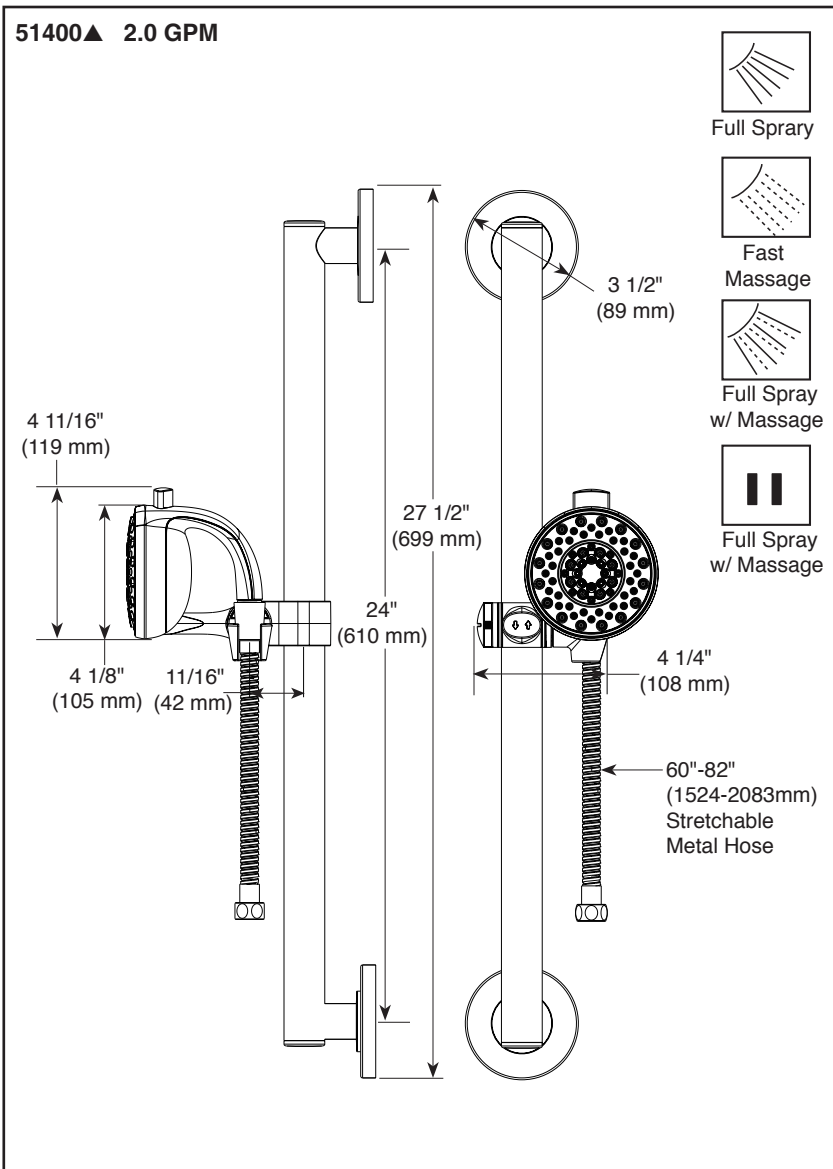


51400▲

Submitted Model No.: \_\_\_\_\_  
 Specific Features: \_\_\_\_\_



▲ Designate proper finish suffix

Delta reserves the right (1) to make changes in specifications and materials, and (2) to change or discontinue models, both without notice or obligation. Dimensions are for reference only. See current full-line price book or [www.deltafaucet.com](http://www.deltafaucet.com) for finish options and product availability.



## SLIDE BAR / GRAB BAR HAND HELD SHOWERS

- 4-Spray Settings Palm™ Handshower
- Touch-Clean® Nozzles
- Push Button Selection

**STANDARD SPECIFICATIONS:**

- Maximum flow rate 2.0 gpm @ 80 PSI, 7.6L/min @ 552kPa.
- 60"-82" Stretchable metal hose.
- Change spray modes with pushbutton.
- Dual check valves for backflow prevention.
- 24" Contemporary slide bar / grab bar.
- Hand held shower with four spray setting - not a positive shut-off.
- ADA compliant adjustable mount, hand shower and hose.
- ADA compliant grab bar when installed per accessibility guidelines of the act.

**WARRANTY**

- Lifetime limited warranty on parts (other than electronic parts and batteries) and finishes; or for commercial users, for 5 years from the date of purchase.
- 5 year limited warranty on electronic parts (other than batteries); or for commercial users, for 1 year from the date of purchase. No warranty is provided on batteries.



**COMPLIES WITH**

- ASME A112.18.1/CSA B125.1
- EPA WaterSense®

♿ Indicates compliance to ICC / ANSI A117.1



55 E. 111th Street, Indianapolis, Indiana 46280  
 350 South Edgeware Road, St. Thomas, Ontario Canada N5P 4L1  
 © 2015 Masco Corporation of Indiana