



Count on it.

Parts Catalog

22in Recycler[®] Lawn Mower

Model No. 20352—Serial No. 312000001 and Up



Ordering Replacement Parts

To order replacement parts, please supply the part number, the quantity, and the description of each part desired.

Understanding Reference Numbers

Each identified part in an illustration has a reference number. The reference number for a part also appears in the parts list, along with other information about the part.

This catalog uses two special reference number formats, one to indicate parts in a service assembly and another to indicate the quantity of a given part in an illustration.

Service Assembly Reference Numbers

Parts in service assemblies have reference numbers in the form a:b. The a represents the reference number of the entire service assembly and the b represents a sequential number unique to each part within the service assembly.

For example, a wheel assembly might be identified by reference number 6, the tire by 6:1, the valve by 6:2, and the wheel by 6:3. When you order the assembly identified by reference number 6, you receive all parts identified by reference numbers 6:1, 6:2, and 6:3. However, you may also order any part individually. Reference numbers of this type appear in illustration and in parts lists.

Reference Numbers Indicating Quantity

In an illustration, if a reference number indicates more than one part, the reference number has the form nX y. The n represents the quantity of the part, the X is the multiplication symbol, and the y represents the reference number.

For example, in an illustration, the reference number 2X 37 means that two of the parts identified by reference number 37 are indicated.

List of Abbreviations

AR: as required

ASM: assembly

BBC: blade brake control

BHTF: button head thread forming

CARR: carriage

CCW: counter clockwise

CW: clockwise

DEG: degrees

DPA: Dual Point Adjustment

ECM: electronic control module

EXT: external

FH: flat head

GA: gauge

HD: heavy-duty

HF: hex flange

HH: hex head

HHF: hex head flange

HHFTF: hex head flange thread forming

HJ: hex jam

HLH: hex lag head

HOC: height-of-cut

HSBH: hex socket button head

HSFH: hex socket flat head

HSH: hex socket head

HWH: hex washer head

HWTF: hex washer head thread forming

HYD: hydraulic

LH: left hand

LPG: Liquid Propane Gas

NI: nylon insert

NPTF: national pipe thread fine

PFH: phillips flat head

PPH: phillips pan head

PPHTF: phillips pan head thread forming

PRH: phillips round head

PTH: phillips truss head

PTO: power-take-off

RH: right hand

ROPS: roll-over protection system

RRB: rear roller brush

SFH: slotted fillister head

SHH: slotted hex head

SHWH: slotted hex washer head

SPH: slotted pan head

SQH: square head

SRH: slotted round head

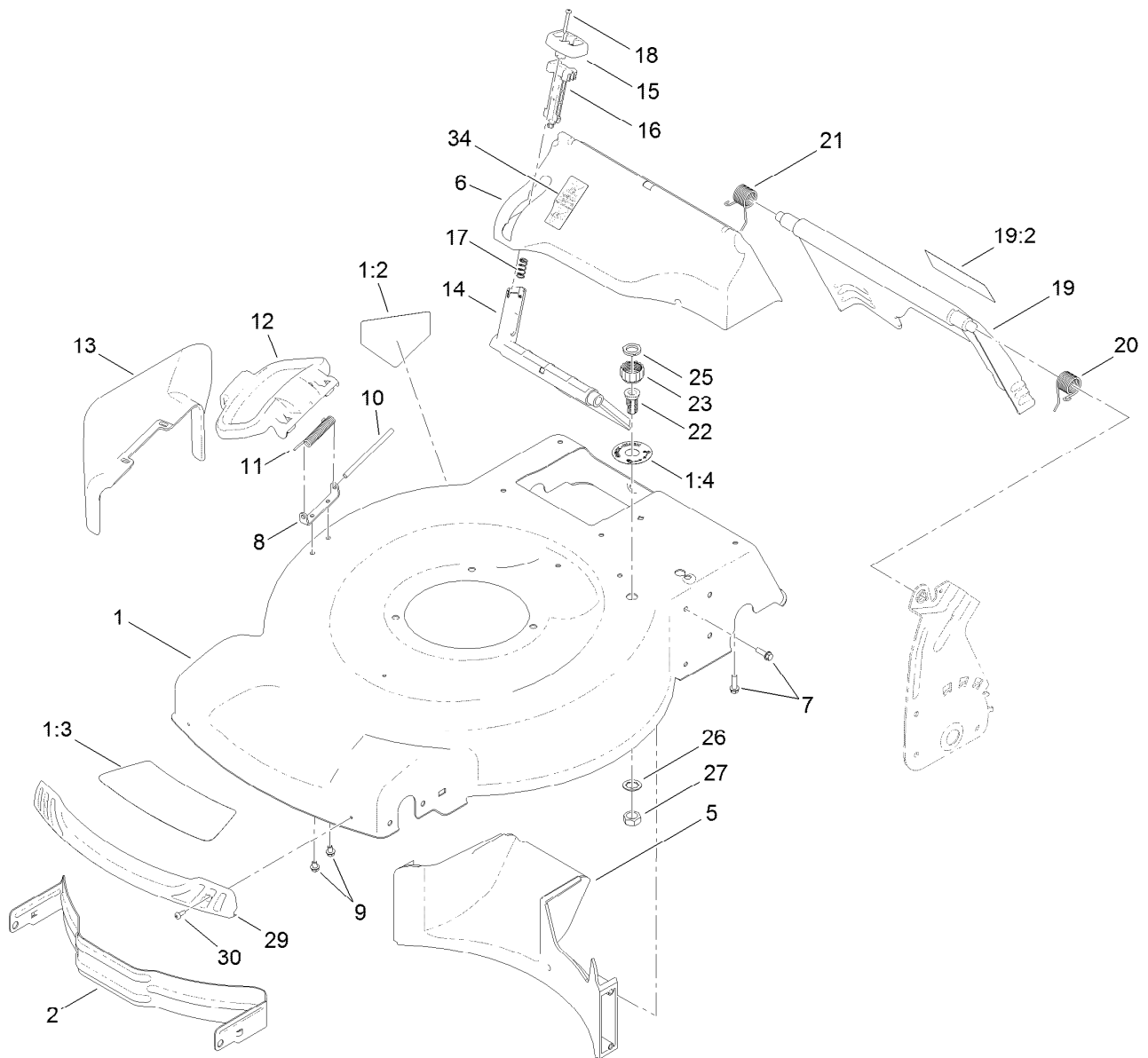
STD: standard

TAP: self tapping

TTH: torx truss head

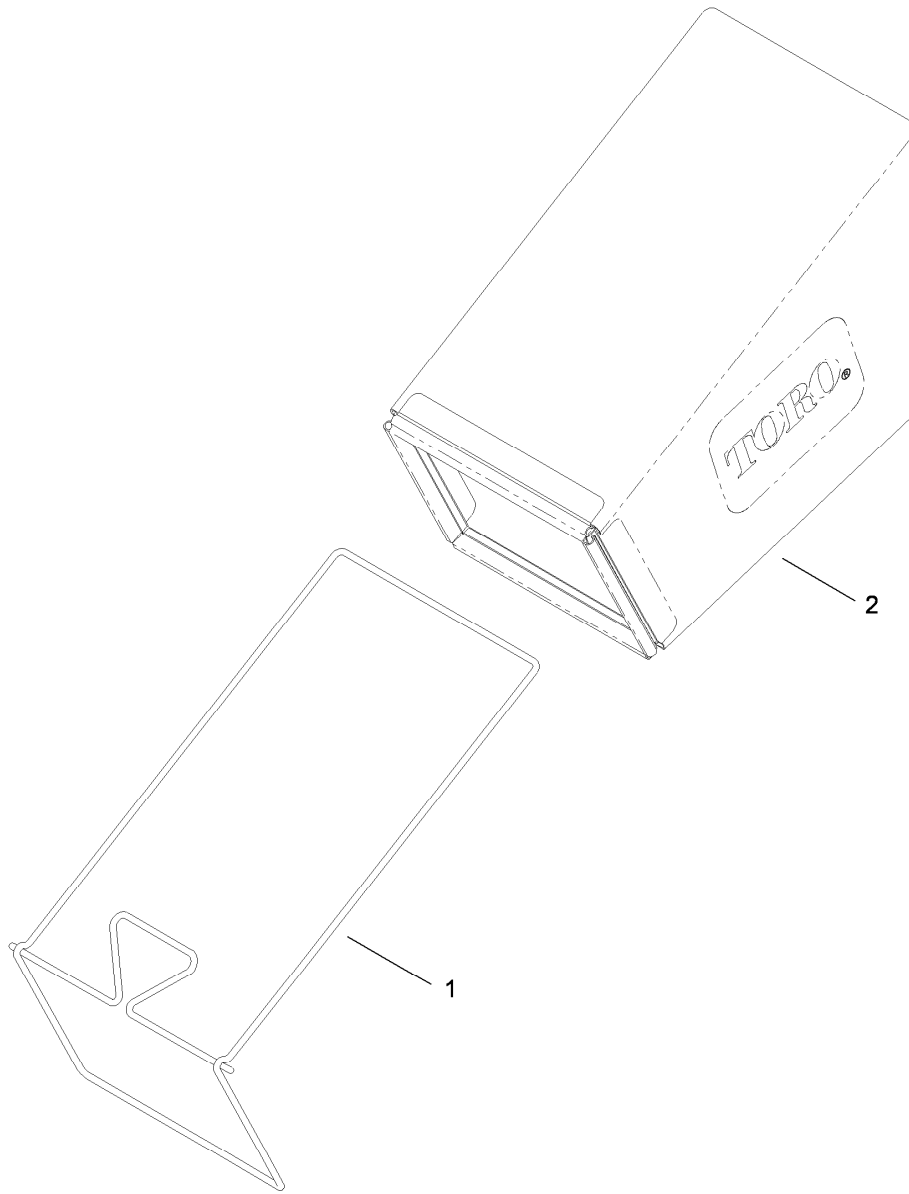
Contents

Deck, Side Chute and Rear Door Assembly	4
Rear Bag Assembly	5
Engine and Blade Assembly	6
Front Wheel and Height-of-Cut Assembly	7
Transmission and Rear Wheel Drive Assembly	8
Handle Assembly	9
Attachments and Accessories	10



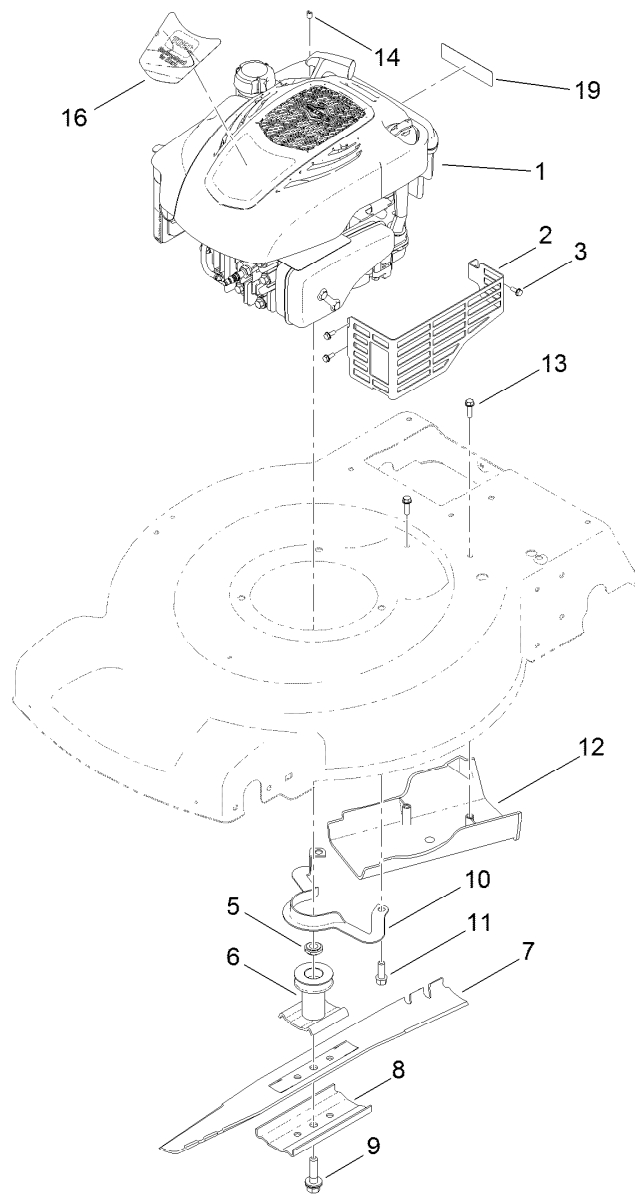
Deck, Side Chute and Rear Door Assembly

Ref.	Part Number	Qty.	Description	Ref.	Part Number	Qty.	Description
1	117-1084	1	Housing ASM	16	114-7959	1	Latch-Recycle
1:2	94-8072	1	Decal-Danger	17	117-1031	1	Spring-Compression
1:3	115-4676	1	Decal-Recycler	18	32104-120	2	Screw-PPH
1:4	112-8867	1	Decal-Port, Washout	19	121-5776	1	Rear Door ASM
2	114-7963-01	1	Baffle-Front	19:2	114-7982	1	Decal-Warning
5	114-7961	1	Baffle-Rear	20	115-2859	1	Spring-Torsion
6	115-4677	1	Chute-Recycle	21	114-7924	1	Spring-Torsion
7	46-8091	9	Screw-HWH	22	112-6400	1	Port-Washout
8	112-6416	1	Bracket-Cover	23	112-6401	1	Coupling-Hose, Washout Port
9	99-8445	2	Screw-HWH, Taptite	25	112-6438	1	Washer-Seal, Washout Port
10	99-5291	1	Rod-Cover	26	3254-5	1	Washer-Tooth, Internal
11	99-5293	1	Spring-Torsion	27	3218-6	1	Nut-Jam
12	115-8449	1	Deflector-Side	29	114-7987	1	Bumper
13	115-8447	1	Chute-Discharge, Side	30	105-6849	2	Screw-Thread Forming
14	114-7960	1	Deflector-Recycle	34	117-5928	1	Decal-Bag On Demand
15	114-7958	1	Knob-Recycle				



Rear Bag Assembly

<i>Ref.</i>	<i>Part Number</i>	<i>Qty.</i>	<i>Description</i>
1	114-2679-03	1	Frame-Bag
2	115-4673	1	Grass Bag ASM

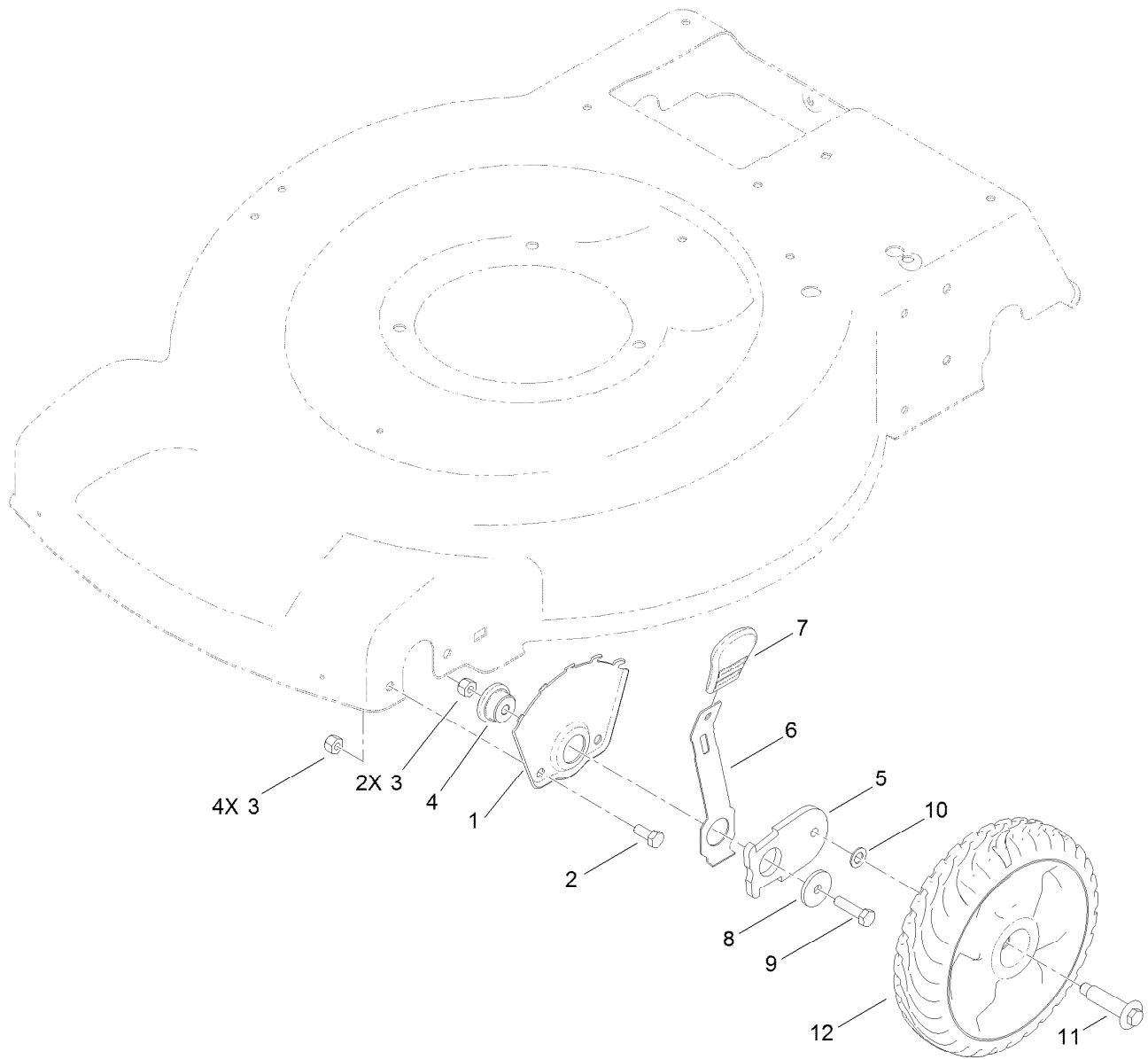


Engine and Blade Assembly

Ref.	Part Number	Qty.	Description
1		1	Engine-Briggs, 128M02-3120-F1 ●■
2	104-7577-03	1	Shield-Muffler
3	32144-1	3	Screw-Taptite
5	106-3999	1	Spacer-Driver
6	106-3987	1	Blade Driver ASM
7	108-9764-03	1	Blade-22 Inch
8	108-3766-03	1	Support-Blade
9	105-8579	1	Bolt-Blade
10	105-3030-03	1	Guide-Belt
11	95-1726	3	Screw-Taptite
12	114-7937	1	Cover-Belt
13	46-8091	2	Screw-HWH
14	2210-316	1	Stop-Rope
16	121-2371	1	Decal-Shroud
19	117-2718	1	Decal-Arrester, Spark

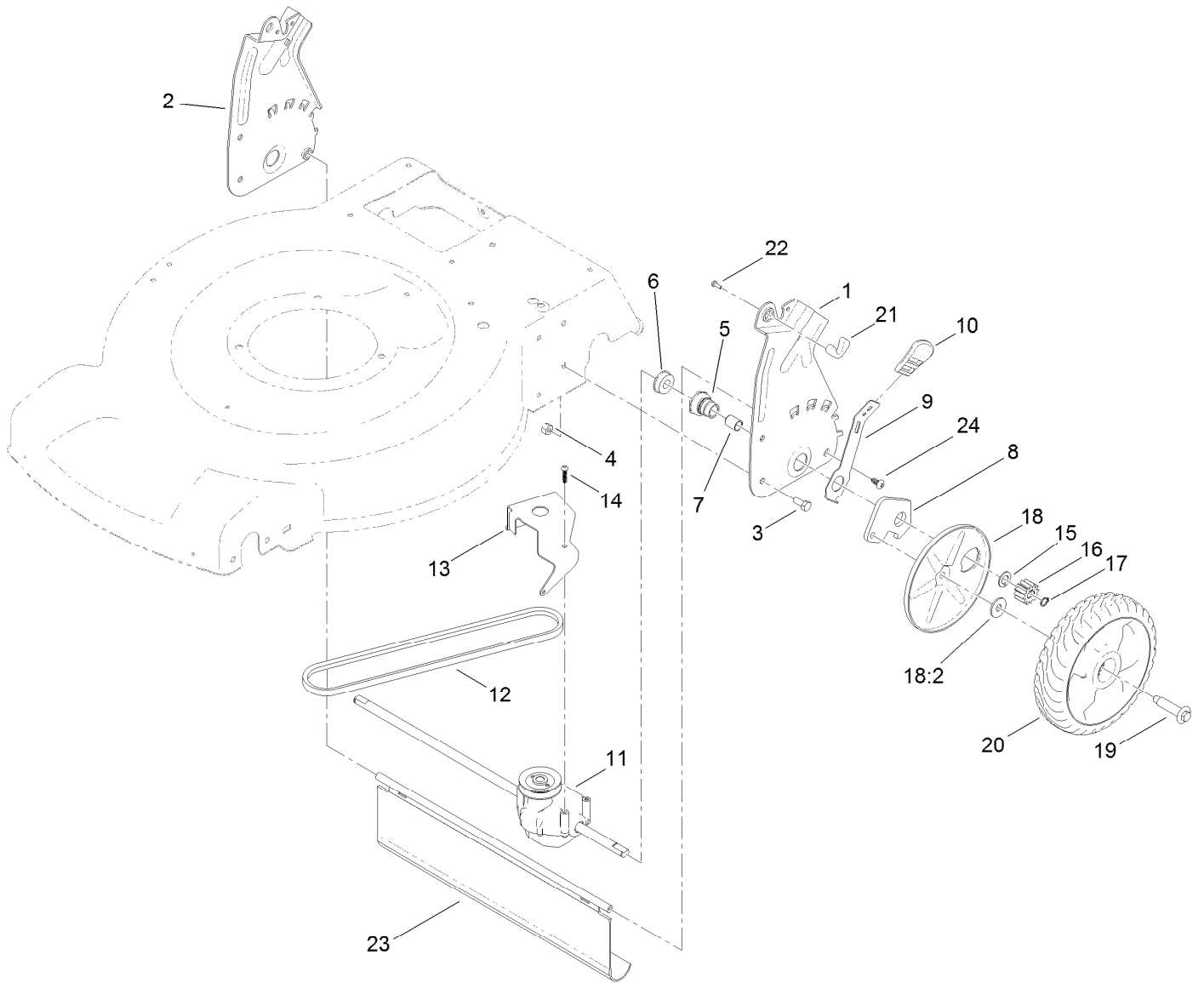
● Not serviced separately

■ Obtain parts from www.briggsandstratton.com



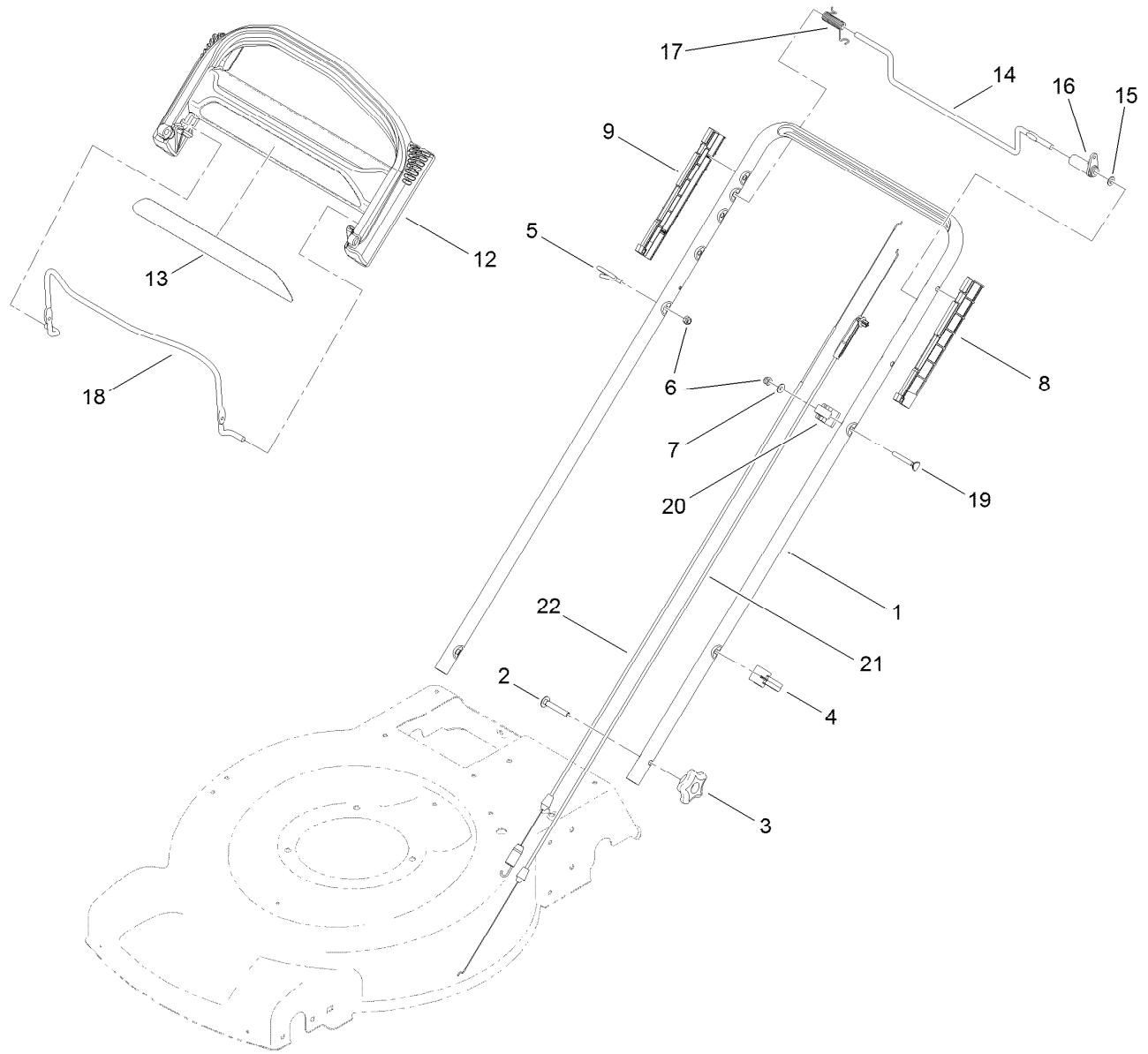
Front Wheel and Height-of-Cut Assembly

Ref.	Part Number	Qty.	Description
1	115-1956-03	2	Plate-HOC, Front
2	322-3	4	Screw-HH
3	3296-29	6	Nut-Lock, NI
4	105-1818	2	Bushing-Mount, HOC
5	105-1807	2	Arm-Pivot, Front
6	105-1809	2	Arm-Spring
7	110-0549	2	Knob-HOC
8	105-3048	2	Washer-Flat
9	322-6	2	Screw-HH
10	40-1940	2	Washer
11	614650	2	Bolt-Shoulder
12	115-2894	2	8 Inch Wheel ASM



Transmission and Rear Wheel Drive Assembly

<i>Ref.</i>	<i>Part Number</i>	<i>Qty.</i>	<i>Description</i>	<i>Ref.</i>	<i>Part Number</i>	<i>Qty.</i>	<i>Description</i>
1	114-7955-03	1	Plate-Rear, LH (HOC)	14	108-7476	3	Screw-Plastite
2	114-7956-03	1	Plate-Rear, RH (HOC)	15	110-7191	2	Washer-Thrust
3	322-3	4	Screw-HH	16	115-4668	2	Gear-Pinion, 12T
4	3296-29	4	Nut-Lock, NI	17	32151-61	2	Ring-Retaining
5	108-9779	2	Retainer-Bushing, HOC	18	110-1792	2	Wheel Cover ASM
6	104-8699	2	Bearing-Ball	18:2	614426	1	Washer-Stepped
7	108-9782	2	Bushing-Sleeve	19	614650	2	Bolt-Shoulder
8	108-9781	2	Arm-Pivot, Rear	20	115-4695	2	8 Inch Wheel Gear ASM
9	108-9780	2	Arm-Spring	21	115-8406	2	Anchor-Bag
10	110-0549	2	Knob-HOC	22	105-9437	2	Screw-PPH
11	115-4652	1	Transmission	23	115-2893	1	Shield-Trailing
12	115-4669	1	Belt-V	24	117-1092	2	Screw-PTH
13	114-7977-03	1	Bracket-Transmission				



Handle Assembly

<i>Ref.</i>	<i>Part Number</i>	<i>Qty.</i>	<i>Description</i>	<i>Ref.</i>	<i>Part Number</i>	<i>Qty.</i>	<i>Description</i>
1	119-3810-05	1	Handle	13	117-1019	1	Decal
2	3230-6	2	Screw-CARR	14	99-1588	1	Bar-Control, Traction
3	117-5976	2	Knob-Handle, Locking	15	3256-23	1	Washer-Flat
4	114-7988	1	Guide-Cable	16	99-1589	1	Lever-Traction
5	86-9671	1	Guide-Rope	17	104-8690	1	Spring-Torsion
6	3296-73	2	Nut-Lock, NI	18	104-8679-03	1	Bail-Brake
7	3256-1	1	Washer-Flat	19	95-4453	1	Screw
8	105-6842	1	Guide-LH	20	99-5239	1	Anchor-Cable
9	105-6841	1	Guide-RH	21	115-8437	1	Cable-Brake
12	104-8678	1	Handle-Control	22	115-8435	1	Cable-Traction

Attachments and Accessories

For 20352 22in Recycler Lawn Mower

Product Name	Model/Part
Traction Assist Handle Kit.....	108-8120
Loose Parts Kit	117-4124
Replacement Bag	59310
Replacement Frame and Bag Kit.....	59312
22in Blade Kit.....	59534

Notes:



Count on it.