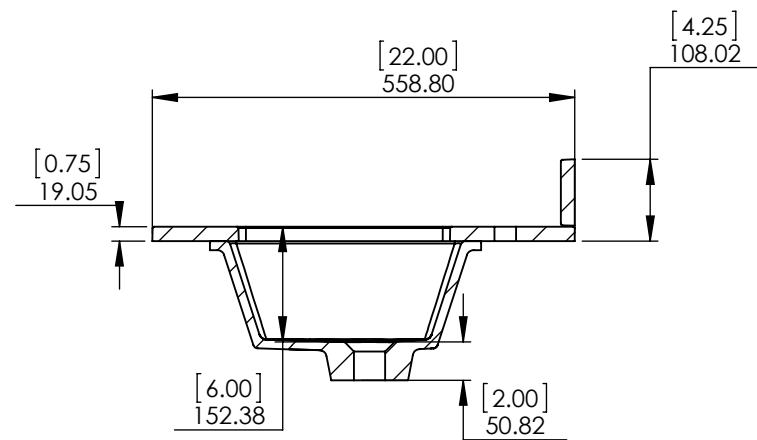
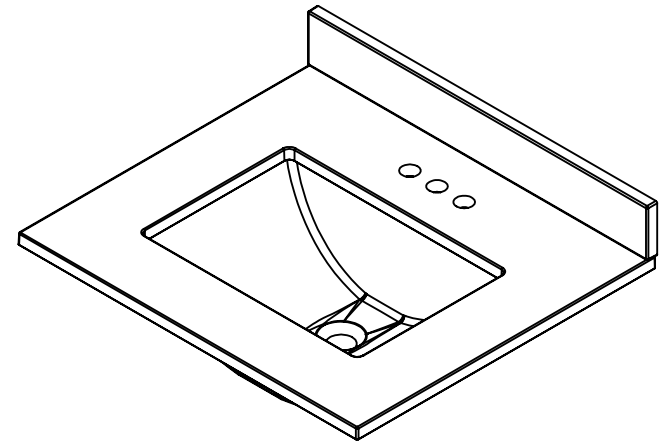
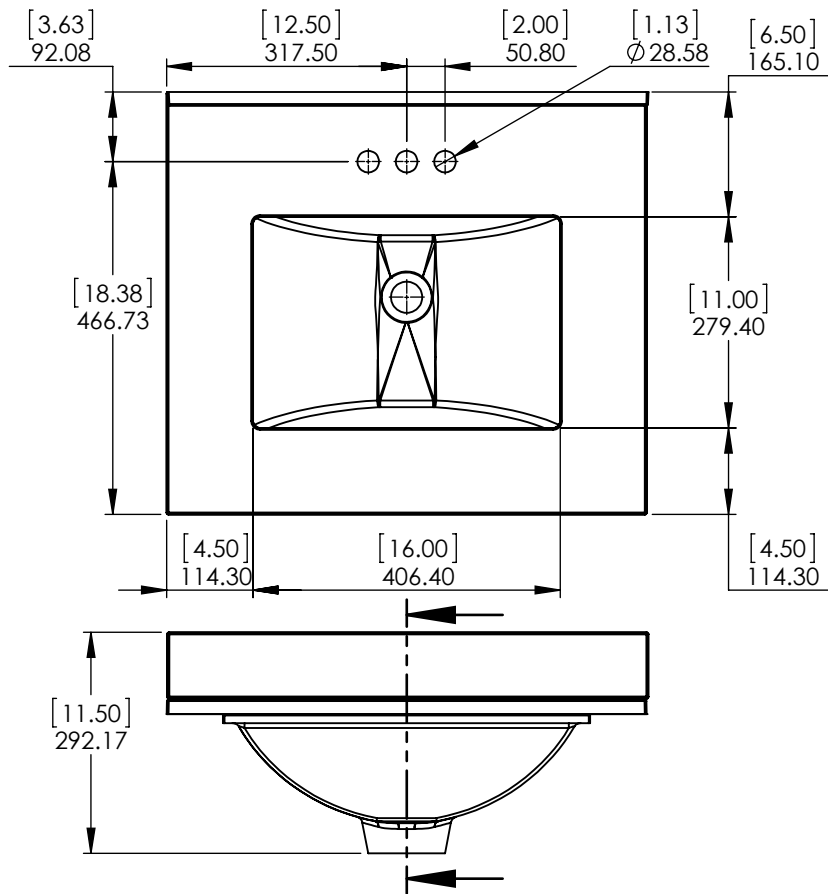


ID	Description	Technology	Status
SE2522R-WM	Home Decorators 25 in. Stone Effects Vanity Top in Winter Mist with White Basin	Stone Effect	Approved for production
SE2522R-CA	Home Decorators 25 in. Stone Effects Vanity Top in Capri with White Basin	Stone Effect	Approved for production
SE2522R-LR	Vtop Rect 25x22in SE Lunar	Stone Effect	Approved for production
SE2522R-RS	Vtop Rect 25x22in SE River Stone	Stone Effect	Approved for production

Rev #	Approved by	Change
0	R. Rubio	Released
1	R. Rubio	New Models Added
2	E. Delgado	New Models Added



NOTE: MAX. WARPAGE TOLERANCE 1/8"

PROPRIETARY AND CONFIDENTIAL

THE INFORMATION CONTAINED IN THIS DRAWING IS THE SOLE PROPERTY OF WOODCRAFTERS. ANY REPRODUCTION IN PART OR AS A WHOLE WITHOUT THE WRITTEN PERMISSION OF WOODCRAFTERS IS PROHIBITED.

UNLESS OTHERWISE SPECIFIED

DIMENSIONS ARE IN MM. AND (INCHES)

TOLERANCES ARE +0.125 [3.175] -0.125 [-3.175]

SCALE:1:10

	NAME	DATE
DRAWN	R. Rubio	12/30/19
CHECKED	R. Rubio	12/30/19
ENG APPR.	E. Delgado	12/30/19
MFG APPR.	A. Casiano	12/30/19



SIZE	DWG. NO.	SHEET 1 OF 2	REV. 1
A	Vtop Rect 25x22 Stone Effect		

ID	Description	Technology	Status
SE25R-CO	Vtop SE Rect 25x22 Cold Fusion 4 in	Stone Effect	Approved for production
SE25R-DN	Vtop SE Rect 25x22 Dune 4 in	Stone Effect	Approved for production
SE25R-MG	Vtop SE Rect 25x22 Mineral Gray 4 in	Stone Effect	Approved for production
SE25R-PR	Vtop SE Rect 25x22 Pulsar 4 in	Stone Effect	Approved for production
SE25R-RU	Vtop SE Rect 25x22 Rustic Gold 4 in	Stone Effect	Approved for production

Rev #	Approved by	Change
0	R. Rubio	Released
1	R. Rubio	New Models Added
2	E. Delgado	New Models Added

NOTE: MAX. WARPAGE TOLERANCE 1/8"

PROPRIETARY AND CONFIDENTIAL
 THE INFORMATION CONTAINED IN THIS DRAWING IS THE SOLE PROPERTY OF WOODCRAFTERS. ANY REPRODUCTION IN PART OR AS A WHOLE WITHOUT THE WRITTEN PERMISSION OF WOODCRAFTERS IS PROHIBITED.

UNLESS OTHERWISE SPECIFIED
 DIMENSIONS ARE IN MM. AND [INCHES]
 TOLERANCES ARE
 + 0.125 [3.175] - 0.125 [-3.175]
 SCALE:1:10

	NAME	DATE
DRAWN	R. Rubio	12/30/19
CHECKED	R. Rubio	12/30/19
ENG APPR.	E. Delgado	12/30/19
MFG APPR.	A. Casiano	12/30/19

		SIZE	DWG. NO.	SHEET 2 OF 2
		A	Vtop Rect 25x22 Stone Effect	REV: 1