

# EVERBILT

TM

Item # 1004 118 361 1004 118 355  
1004 118 379 1004 118 371  
1004 118 395 1004 118 292  
Model # HDPS25W HDPS25V  
HDPS33W HDPS33V  
HDPS50W HDPS50V

## USE AND CARE GUIDE

### SUBMERSIBLE SUMP PUMP

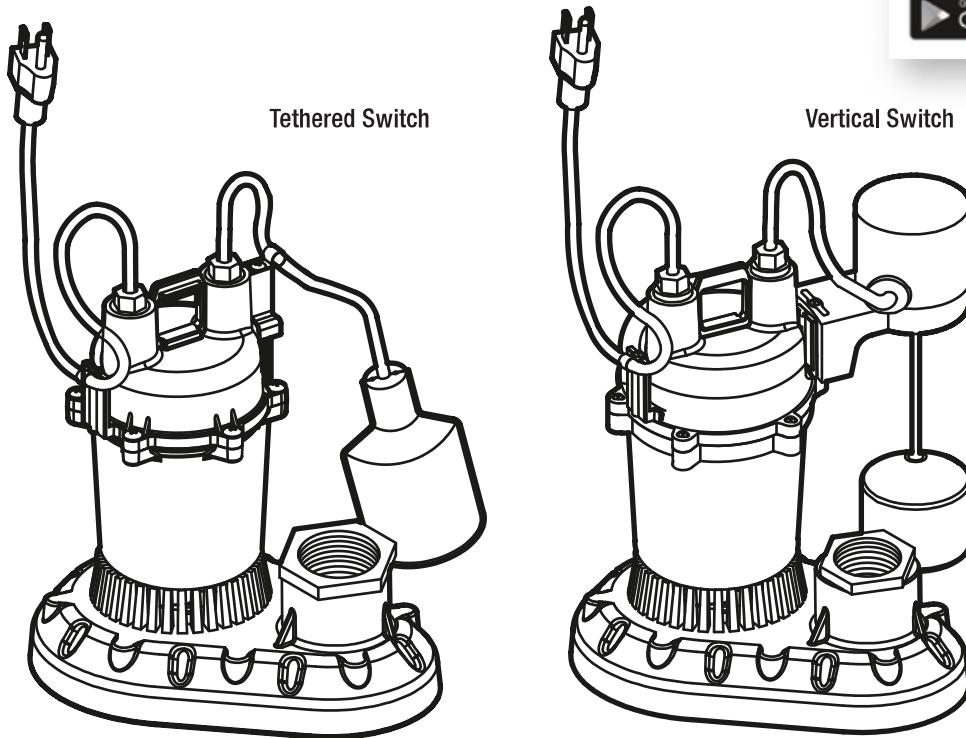
**EASY  
STEP-BY-STEP  
3D INSTRUCTIONS**

Download the Free  
Interactive App

**BILT.**

Download on the  
App Store

GET IT ON  
Google Play



Questions, problems, missing parts? Before returning to the store,  
call Everbilt Customer Service  
8 a.m. - 7 p.m., EST, Monday - Friday, 9 a.m. - 6 p.m., EST, Saturday

**1-844-883-1872**

**HOMEDEPOT.COM**

#### THANK YOU

*We appreciate the trust and confidence you have placed in Everbilt through the purchase of this sump pump. We strive to continually create quality products designed to enhance your home. Visit us online to see our full line of products available for your home improvement needs. Thank you for choosing Everbilt!*

# Table of Contents

Table of Contents ..... 2  
 Safety Information ..... 2  
 Warranty ..... 3  
 Pre-Installation..... 4

Installation ..... 7  
 Operation..... 8  
 Care and Cleaning ..... 10  
 Troubleshooting ..... 10

## Safety Information

- Do not splice the electrical power cord.
- Do not allow the electrical cord to become submerged.
- Do not use extension cords. They are a fire hazard and can reduce voltage sufficiently to prevent pumping and/or damage the motor.
- Do not handle or service the pump while it is connected to a power supply.
- DO NOT remove the grounding prong from the plug or modify the plug to protect against electrical shock. The power cord is a three-wire conductor and includes a 3-prong grounded plug. Plug the pump into a 3-wire, grounded, grounding type receptacle. Connect the pump according to electrical codes that apply.



**DANGER:** Do not pump flammable or explosive liquids such as oil, gasoline, kerosene, ethanol, etc. Do not use in the presence of flammable or explosive vapors. Using this pump with or near flammable liquids can cause an explosion or fire, resulting in property damage, serious personal injury, and/or death.



**DANGER:** ALWAYS disconnect the power to the pump before servicing.



**DANGER:** Do not touch the motor housing during operation. The motor is designed to operate at high temperatures. Do not disassemble the motor housing.



**DANGER:** Do not handle the pump or pump motor with wet hands or when standing on a wet or damp surface, or in water before disconnecting the power.



**WARNING:** Release all pressure and drain all water from the system before servicing any component.



**WARNING:** Secure the discharge line before starting the pump. An unsecured discharge line will whip, possibly causing personal injury, and/or property damage.



**WARNING:** Extension cords may not deliver sufficient voltage to the pump motor. Extension cords present a life threatening safety hazard if the insulation becomes damaged or the connection ends fall into water. The use of an extension cord to power this pump is not permitted.



**WARNING:** Wear safety goggles at all times when working with pumps.



**WARNING:** This unit is designed only for use on 115 volts (single phase), 60 Hz, and is equipped with an approved 3-conductor cord and 3-prong grounded plug. Do not remove the ground pin under any circumstances. The 3-prong plug must be directly inserted into a properly installed and grounded 3-prong, grounding-type receptacle. Do not use this pump with a 2-prong wall outlet. Replace the 2-prong outlet with a properly grounded 3-prong receptacle (a GFCI outlet) installed in accordance with the National Electrical Code and local codes and ordinances. All wiring should be performed by a qualified electrician.



**WARNING:** Protect the electrical cord from sharp objects, hot surfaces, oil, and chemicals. Avoid kinking the cord. Do not use damaged or worn cords.



**WARNING:** Failure to comply with the instruction and designed operation of this unit may void the warranty. ATTEMPTING TO USE A DAMAGED PUMP can result in property damage, serious personal injury, and/or death.



**WARNING:** Ensure that the electrical circuit to the pump is protected by a 15 Amp fuse or circuit breaker.



**CAUTION:** Do not lift the pump by the power cord.



**CAUTION:** Know the pump and its applications, limitations, and potential hazards.

## Safety Information (continued)



**CAUTION:** Secure the pump to a solid base. This will aid in keeping the pump in a vertical orientation. This is critical in keeping the pump operating at maximum efficiency. It will also help prevent the pump from clogging resulting in premature failure.



**CAUTION:** Periodically inspect the pump and system components to ensure the pump suction screen is free of mud, sand, and debris. Disconnect the pump from the power supply before inspecting.



**CAUTION:** Follow all local electrical and safety codes, along with the National Electrical Code (NEC). In addition, all Occupational Safety and Health Administration (OSHA) guidelines must be followed.



**IMPORTANT:** Ensure the electrical power source is adequate for the requirements of the pump.



**IMPORTANT:** This pump is made of high-strength, corrosion-resistant materials. It will provide trouble-free service for a long time when properly installed, maintained, and used. However, inadequate electrical power to the pump, dirt, or debris may cause the pump to fail. Please carefully read the manual and follow the instructions regarding common pump problems and remedies.



**IMPORTANT:** The motor of this pump has a thermal protector that will trip if the motor becomes too hot. The protector will reset itself once the motor cools down and an acceptable temperature has been reached. The pump may start unexpectedly if it is plugged in.

## Warranty

The manufacturer warrants the products to be free from defects in materials and workmanship for a period of one year from date of purchase. This warranty applies only to the original consumer purchaser and only to products used in normal use and service. If within one year this product is found upon examination by the manufacturer to be defective in materials or workmanship, the manufacturer's only obligation, and your exclusive remedy, is the repair or replacement of the product at the manufacturer's discretion, provided that the product has not been damaged through misuse, abuse, accident, modifications, alterations, neglect or mishandling. Your original receipt of purchase is required to determine warranty eligibility.

The purchaser must pay all labor and shipping charges necessary to replace the product covered by this warranty.

This Limited Warranty does not cover products which have been damaged as a result of an accident, misuse, abuse, negligence, alteration, improper installation or maintenance, or failure to operate in accordance with the instructions supplied with the products, or operational failures caused by corrosion, rust, or other foreign materials in the system.

Requests for service under this warranty shall be made by returning the defective product to the manufacturer as soon as possible after the discovery of any alleged defect. The manufacturer will subsequently take corrective action as promptly as reasonably possible.

The manufacturer does not warrant and especially disclaims any warranty, whether express or implied, of fitness for a particular purpose, other than the warranty contained herein. This is the exclusive remedy and any liability for any and all indirect or consequential damages or expenses whatsoever is excluded.

Some states do not allow the exclusion or limitation of incidental or consequential damages or limitations on how long an implied warranty lasts, so the above limitations or exclusions may not apply to you. This warranty gives you specific legal rights and you may also have other rights which vary from state to state.

Contact the Customer Service Team at 1-844-883-1872 or visit [www.HomeDepot.com](http://www.HomeDepot.com).

# Pre-Installation

## PLANNING INSTALLATION

This submersible sump pump is designed for home sump applications. Use this pump only for pumping water. This unit is not designed as a waterfall or fountain pump, or for applications involving salt water or brine. Use with waterfalls, fountains, salt water or brine will void warranty. Do not use where water recirculates. This pump is not designed for use as a swimming pool drainer.

## INSTALLATION REQUIREMENTS



**NOTICE:** Install the pump on a hard, level surface (cement, asphalt, etc.). Never place the pump directly on earth, clay, or gravel surfaces.

- Use a rigid plastic pipe for the discharge. Do not use ordinary pipe joint compound. Pipe joint compound can attack plastics.



**CAUTION:** Risk of flooding. Can cause personal injury and/or property damage. If a flexible discharge hose is used, make sure the pump is secured in the sump to prevent movement. Failure to secure the pump may allow pump movement, switch interference and prevent the pump from starting or stopping.

- To reduce motor noise and vibrations, a short length of rubber hose (1-7/8 in. (47.6 mm) I.D., e.g. radiator hose) can be connected into the discharge line near the pump using suitable clamps.
- If the check valve is not equipped with an air bleed hole to prevent air locking the pump, drill a 1/8 in. (3.2 mm) hole in the discharge pipe just above where the discharge pipe screws into the pump discharge. Be sure the hole is below the waterline and the check valve to prevent air locks.
- If the pump discharge line is exposed to outside subfreezing atmosphere, a portion of line exposed must be installed so any water remaining in the pipe will drain to the outfall by gravity. Failure to do this can cause water trapped in the discharge to freeze which could result in damage to the pump.
- The shaft seal depends on water for lubrication. Do not operate the pump unless it is submerged in water as the seal may be damaged if allowed to run dry.
- Do not change the preset tether switch length.

## ELECTRICAL REQUIREMENTS

- For automatic operation, plug the pump into a GFCI wall outlet. Connect the pump to an individual branch circuit with no other outlets or equipment in the circuit.
- Size fuses or circuit breakers according to this chart:

HP	Voltage	Individual Branch Circuit Required (Amps)
1/2	115	15

## PERFORMANCE CHART

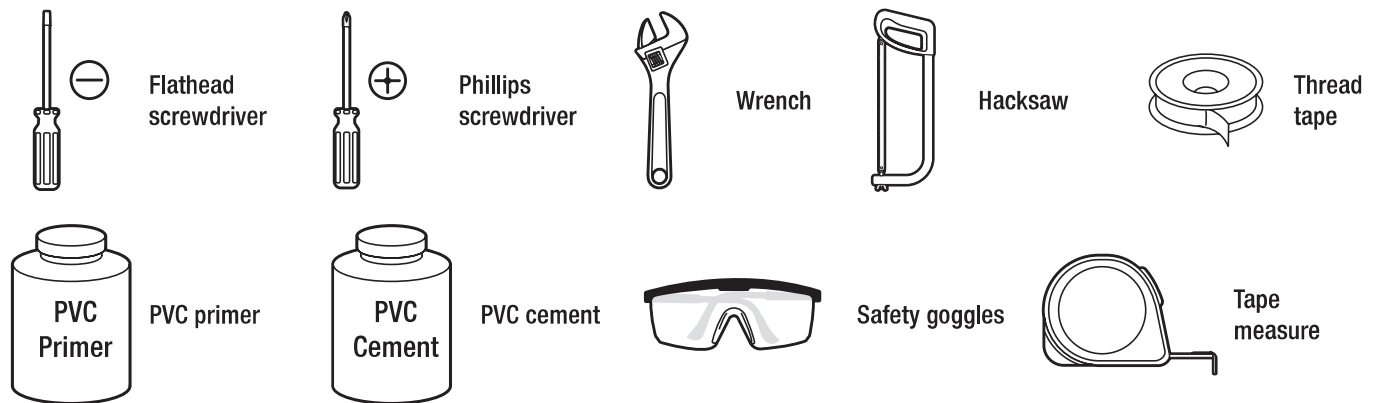
SKU	HP	Amp	GPM of Water @ Total Feet of Lift					Max. Lift
			0 ft.	5 ft.	10 ft.	15 ft.	20 ft.	
1004 118 355 1004 118 361	1/4	6.0	40	37	33	28	--	20 ft.
1004 118 371 1004 118 379	1/3	6.0	43	40	36	32	13	23 ft.
1004 118 292 1004 118 395	1/2	6.0	47	43	40	35	18	25 ft.

# Pre-Installation (continued)

## SPECIFICATIONS

<b>Power supply</b>	115 V, 60 Hz, 15 Amp circuit	
<b>Liquid temperature range</b>	32° – 95°F (0° – 35°C)	
<b>Discharge size</b>	1-1/2 in. FNPT or 1-1/4 in. FNPT (with adaptor)	
<b>Sump basin</b>	Min. 14 in. (356 mm) diameter, 18 in. (457 mm) depth for tethered switch Min. 10 in. (254 mm) diameter, 14 in. (356 mm) depth for vertical switch	
<b>Water level on/off</b>	1004 118 361 1004 118 379 1004 118 395	ON: 13.8 - 15.7 in (350 - 400 mm), OFF: 5.9 - 7.0 in (150 - 200 mm)
	1004 118 355 1004 118 371 1004 118 292	ON: 6.3 - 6.7 in (160 - 170 mm), OFF: 2.3 - 3.15 in (60 - 80 mm)

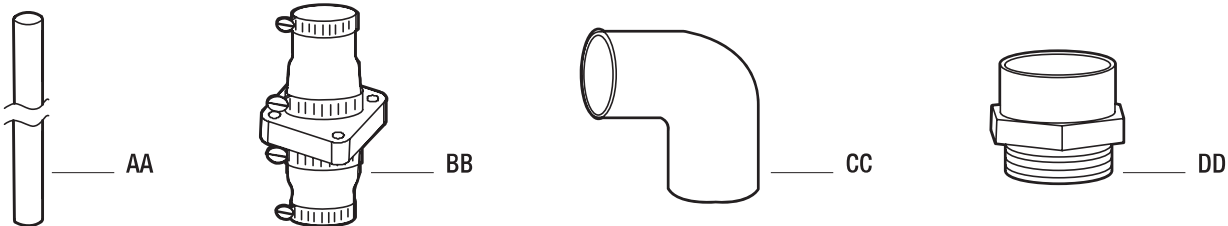
## TOOLS REQUIRED



## MATERIALS REQUIRED (NOT INCLUDED)



**NOTE:** Hardware not shown to actual size.

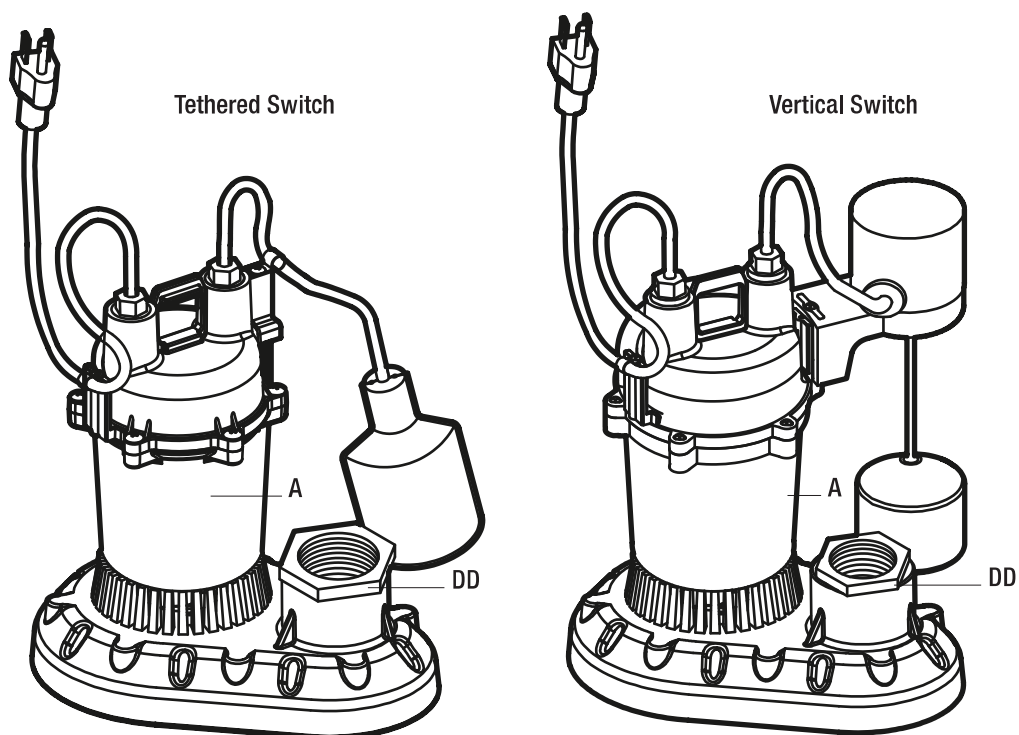


Part	Description	Quantity
AA	1 -1/4 in. or 1-1/2 in. discharge pipe	1
BB	1 -1/4 in. or 1-1/2 in. check valve	1

Part	Description	Quantity
CC	1 -1/4 in. or 1-1/2 in. 90° elbow	1
DD	Pipe adapter	1

## Pre-Installation (continued)

### PACKAGE CONTENTS

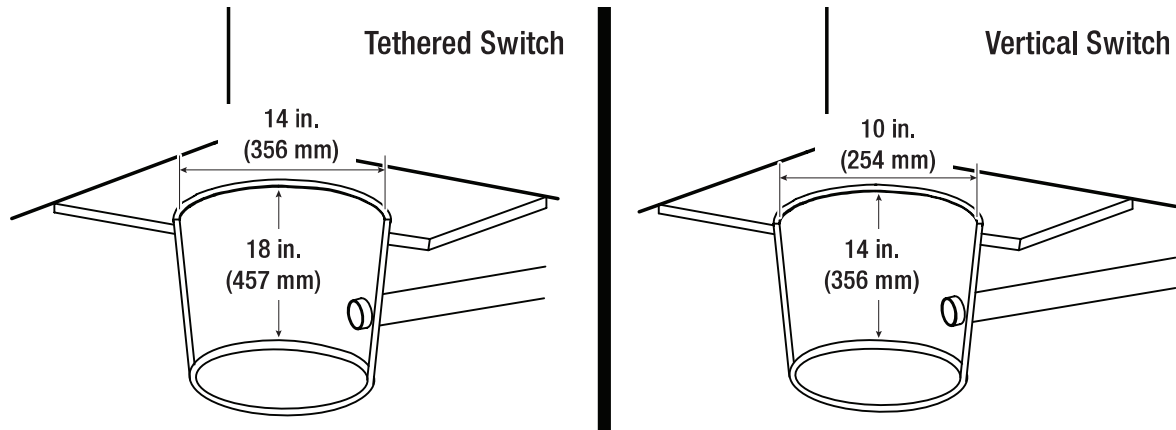


Part	Description
A	Pump
DD	Adapter (1-1/2 in. MNPT X 1-1/4 in. FNPT)

# Installation

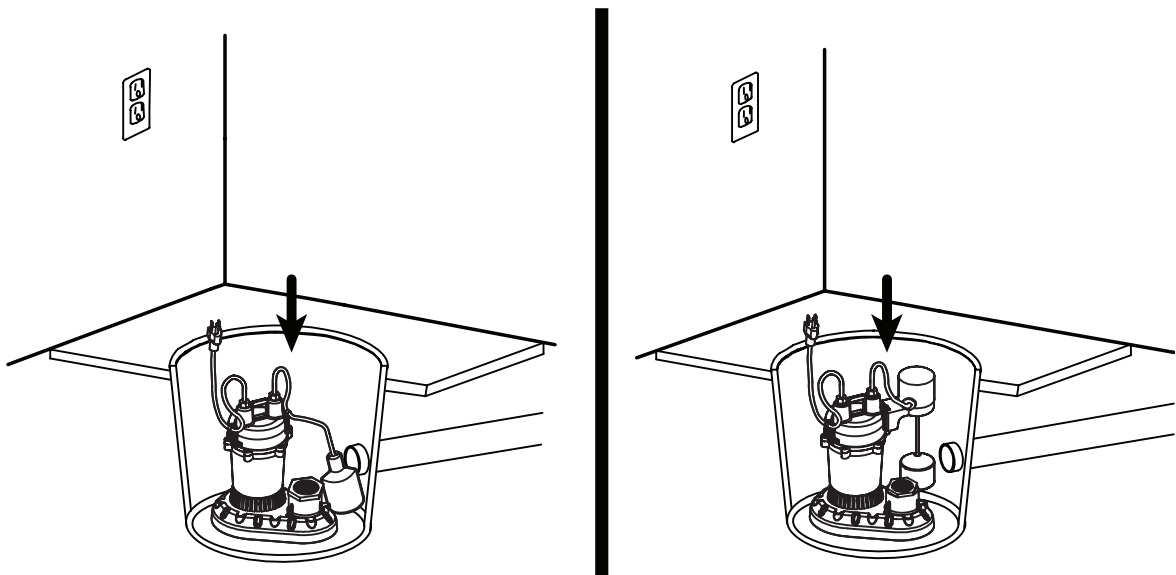
## 1 Preparing a pump basin

- The sump pump must be installed in a sump basin with a minimum diameter of 10 in. (254 mm) for vertical switch models and 14 in. (356 mm) for tethered float switch models.
- The sump basin must have a minimum depth of 14 in. (356 mm) for vertical switch models and 18 in. (457 mm) for tethered float switch models.
- The sump basin can be constructed of tile, concrete, steel, or plastic. Check local codes for approved materials and for proper installation.



## 2 Placing the pump in a basin

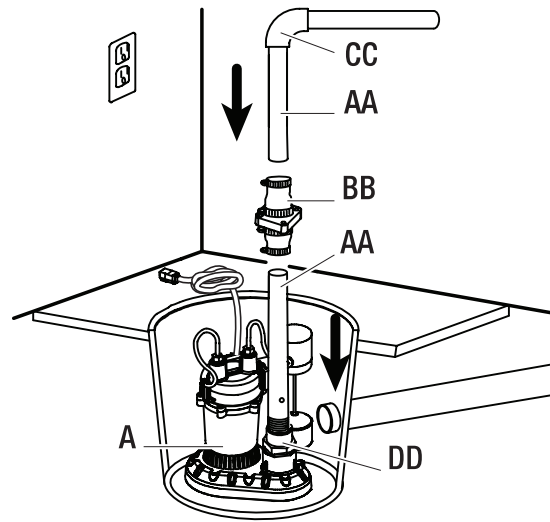
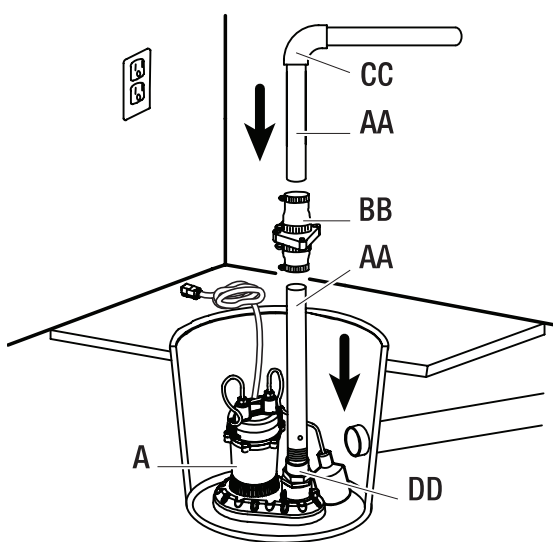
- Place the pump on a hard surface inside the sump basin. Do not install the pump on clay, earth, or sand surfaces.
- Clear the sump basin of debris which could clog the pump. Keep the inlet screen clear.



## Installation (continued)

### 3 Installing the discharge plumbing

- Attach a pipe adapter (DD) to the discharge pipe (AA). Wrap the threads with PTFE pipe thread sealant tape.
- Screw the discharge pipe (AA) onto the pump (A) hand-tight, plus 1-1/2 turns.
- Install an in-line check valve (BB) or an in-pump check valve.



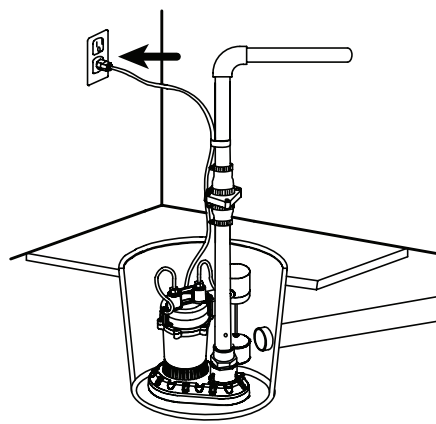
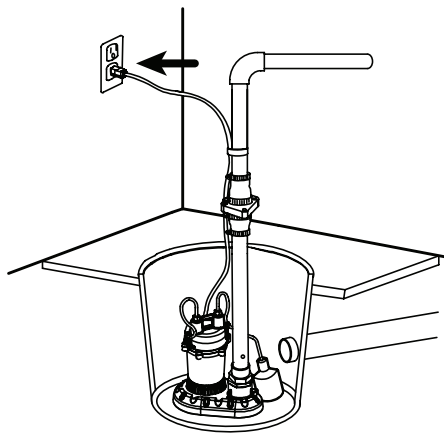
## Operation

### 1 Connecting power

- Plug the power cord into a 115 V GFCI power outlet.



**WARNING:** Do not handle this pump or plug in or unplug this pump with wet hands or while standing in water, unless you are certain all power has been turned off to the pump. Remember, the pump should be connected only to a properly grounded, GFCI outlet.





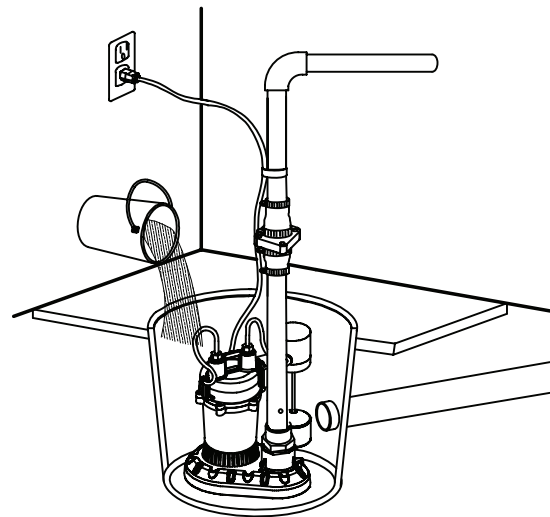
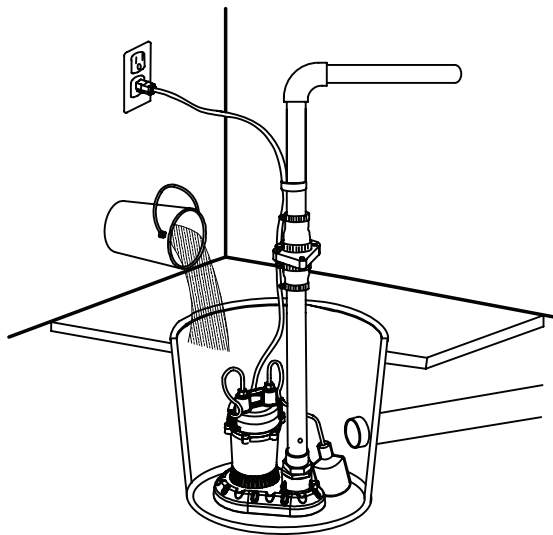
## Operation (continued)

### 2 Operating the pump

- After connecting power to the pump, test the pump by filling the sump basin with water and observing pump operation through one complete cycle.
- The motor is equipped with an automatically-resetting thermal overload protector. If the motor gets too hot, the overload protector will shut off the pump before it is damaged. When the motor has cooled sufficiently, the overload protector will reset, and the motor will restart.
- The pump will not remove all water. If operating a pump manually, and suddenly no water comes out of the discharge hose, shut off the unit immediately. The water level is probably very low and the unit has broken prime.



**NOTICE:** If the overload protector stops the pump repeatedly, disconnect the power from the pump and check to find the problem. Low voltage, a long extension cord, clogged impeller, screen blocked by debris, or water that is too hot can cause motor overheating.

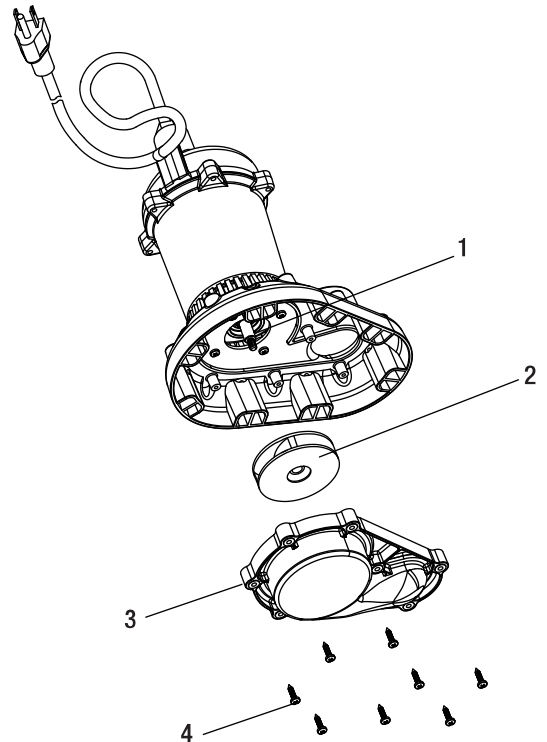


## Care and Cleaning



**WARNING:** Before removing the pump from the basin for service, always disconnect electrical power to the pump and control switch. Do not lift the pump by the power cord.

- Unscrew the bolts (4) and remove the volute (3).
- If necessary use a flathead screwdriver to hold the shaft (1), then turn the impeller (2) counterclockwise to release the impeller (2).
- Remove debris from around the shaft (1) and the impeller (2). (Impeller is shown removed for clarity. Do not remove impeller.)
- Reassemble the pump.



## Troubleshooting

Problem	Probable Cause	Solution
The pump fails to operate.	There is no power.	<ul style="list-style-type: none"> <li>□ Reset the GFCI switch</li> <li>□ Reset the circuit breaker</li> <li>□ Make sure the pump is plugged in</li> <li>□ Clean the plug prongs</li> </ul>
	The impeller is blocked.	Remove the debris around the impeller.
	The float switch failed.	Replace the float switch.
	The motor failed.	Replace the pump.
The pump operates, but pumps little or no water.	The screen is blocked.	Clean the screen.
	Debris is caught in the impeller or discharge.	Remove the debris.
	The impeller is broken.	Replace the impeller.
The pump starts and stops too often.	There is a backflow of water from the piping or the check valve is leaking.	Install or replace the check valve.
	The float switch is stuck.	Clean float switch.
	The float switch failed.	Replace the float switch.
The pump will not shut off.	The float switch is tangled.	Reposition the pump and make sure the switch moves freely.
	The float switch failed.	Replace the float switch.



Questions, problems, missing parts? Before returning to the store,  
call Everbilt Customer Service  
8 a.m. - 7 p.m., EST, Monday-Friday, 9 a.m. - 6 p.m., EST, Saturday

**1-844-883-1872**

**HOMEDEPOT.COM**

Retain this manual for future use.

# EVERBILT

TM

Artículo n.º 1004 118 361 1004 118 355  
1004 118 379 1004 118 371  
1004 118 395 1004 118 292  
Modelo n.º HDPS25W HDPS25V  
HDPS33W HDPS33V  
HDPS50W HDPS50V

## GUÍA DE USO Y CUIDADO

PASO POR PASO FÁCIL  
INSTRUCCIONES  
INTERACTIVAS EN 3D

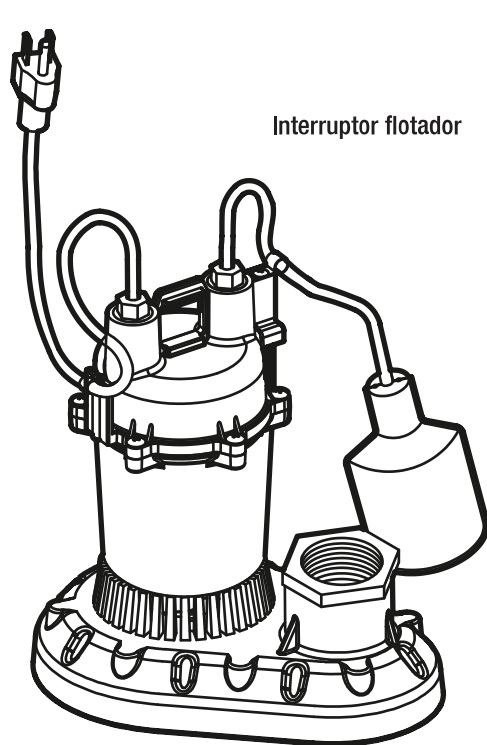
Descargue el app gratis

### BOMBA DE SUMIDERO SUMERGIBLE

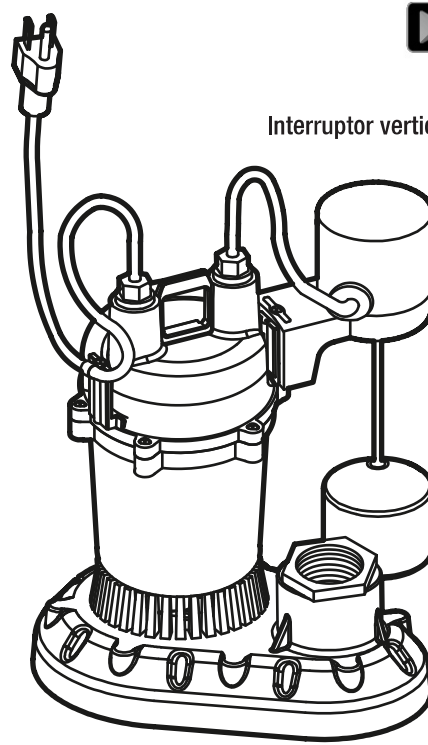
**BILT.**

Download on the  
App Store

GET IT ON  
Google Play



Interruptor flotador



Interruptor vertical

¿Tiene preguntas o problemas, o le faltan piezas? Antes de devolver a la tienda,  
llame a Atención al Cliente de Everbilt

Lunes a viernes de 8:00 a.m. a 7:00 p.m., EST y los sábados de 9:00 a.m. a 6:00 p.m., EST

1-844-883-1872

HOMEDEPOT.COM

**GRACIAS**

*Agradecemos la confianza que ha puesto en Everbilt con la compra de esta bomba de sumidero. Nos esforzamos continuamente para crear productos de calidad diseñados para mejorar su hogar. Visítenos en línea para ver nuestra línea completa de productos disponibles para sus necesidades de mejoramiento del hogar. ¡Gracias por elegir a Everbilt!*

# Índice

Índice .....	2
Información de seguridad .....	2
Garantía .....	3
Antes de la instalación .....	4

Instalación .....	7
Funcionamiento .....	8
Cuidado y limpieza .....	10
Resolución de problemas .....	10

## Información de seguridad

- No empalme el cable de alimentación.
- No permita que el cable eléctrico quede sumergido.
- No use cables de extensión. Estos representan un peligro de incendio y pueden reducir el voltaje lo suficiente para detener el bombeo o dañar el motor.
- No manipule ni le dé mantenimiento a la bomba mientras está conectada al suministro eléctrico.
- NO quite la clavija de conexión a tierra del enchufe ni modifique al enchufe para estar protegido de descargas eléctricas. El cable de alimentación es un conductor de tres cables que incluye un enchufe de 3 clavijas con conexión a tierra. Conecte la bomba a un tomacorriente de 3 clavijas con conexión a tierra. Conecte la bomba de acuerdo a las normas eléctricas correspondientes.



**PELIGRO:** No bombee líquidos inflamables o explosivos como aceite, gasolina, queroseno, etanol, etc. No la use cerca de vapores inflamables o explosivos. Usar esta bomba con o cerca de líquidos inflamables puede provocar una explosión o incendio, lo que resultaría en daños a la propiedad, lesiones graves o la muerte.



**PELIGRO:** SIEMPRE desconecte la alimentación de la bomba antes de darle mantenimiento.



**PELIGRO:** No toque la carcasa del motor mientras esté funcionando. El motor está diseñado para funcionar a temperaturas altas. No desarme la carcasa del motor.



**PELIGRO:** No manipule la bomba o el motor de la bomba con las manos húmedas o si está parado sobre una superficie mojada o húmeda, o en agua antes de desconectar la electricidad.



**ADVERTENCIA:** Libere toda la presión y drene toda el agua del sistema antes de dar mantenimiento a cualquier componente.



**ADVERTENCIA:** Fije la línea de descarga antes de arrancar la bomba. Una línea de descarga que no esté fija se moverá como un látigo, lo cual puede causar lesiones personales o daños a la propiedad.



**ADVERTENCIA:** Los cables de extensión podrían no proporcionar suficiente voltaje al motor de la bomba. Los cables de extensión presentan peligros de seguridad que ponen en riesgo la vida en caso de que el aislamiento se dañe o el extremo de la conexión caiga al agua. No se permite el uso de cables de extensión para alimentar esta bomba.



**ADVERTENCIA:** Use anteojos de seguridad en todo momento cuando trabaje con bombas.



**ADVERTENCIA:** Esta unidad está diseñada solo para su uso en líneas de 115 voltios (monofásicas), 60 Hz, y está equipada con un cable de 3 conductores y un enchufe de 3 clavijas con conexión a tierra, ambos aprobados. No quite la clavija de conexión a tierra bajo ninguna circunstancia. El enchufe de 3 clavijas debe insertarse directamente en un tomacorriente de 3 clavijas con conexión a tierra instalado correctamente. No use esta bomba con un tomacorriente de 2 clavijas. Cambie el tomacorriente de 2 clavijas por uno de 3 con conexión a tierra (un tomacorriente GFCI) instalado de acuerdo con el Código Eléctrico nacional y los códigos y ordenanzas locales. Un electricista certificado debe realizar todo el cableado.



**ADVERTENCIA:** Proteja el cable eléctrico de objetos filosos, superficies calientes, aceite y sustancias químicas. Evite retorcer el cable. No use cables dañados o desgastados.



**ADVERTENCIA:** No cumplir con las instrucciones y el uso designado para esta unidad puede anular la garantía. INTENTAR USAR UNA BOMBA DAÑADA puede provocar daños a la propiedad, lesiones graves o la muerte.



**ADVERTENCIA:** Asegúrese de que el circuito eléctrico de la bomba esté protegido por un fusible o disyuntor eléctrico de 15 A.



**PRECAUCIÓN:** No levante la bomba tirando del cable de alimentación.



**PRECAUCIÓN:** Conozca la bomba, sus usos, limitaciones y peligros posibles.

## Información de seguridad (continuación)



**PRECAUCIÓN:** Fije la bomba a una base sólida. Esto ayudará a mantener la bomba en posición vertical. Esto es esencial para mantener la bomba funcionando con la eficiencia máxima. También ayudará a evitar que la bomba se obstruya y cause una avería prematura.



**PRECAUCIÓN:** Inspeccione periódicamente los componentes del sistema y la bomba para garantizar que el filtro de succión de la bomba esté libre de barro, arena y desechos. Desconecte la bomba del suministro eléctrico antes de inspeccionarla.



**PRECAUCIÓN:** Cumpla con todas las normas eléctricas y de seguridad locales, así como con el Código Nacional Eléctrico (NEC, por sus siglas en inglés). Además, se deben seguir todas las pautas de la Administración de Seguridad y Salud Ocupacional (OSHA, por sus siglas en inglés).



**IMPORTANTE:** Asegúrese de que la fuente de alimentación eléctrica sea la adecuada para los requisitos de la bomba.



**IMPORTANTE:** Esta bomba está hecha de materiales de alta dureza y resistentes a la corrosión. Funcionará sin problemas por mucho tiempo si se instala, mantiene y utiliza correctamente. Sin embargo, un suministro eléctrico inadecuado, la suciedad y los desechos pueden hacer que la bomba se averíe. Lea detenidamente el manual y siga las instrucciones relacionadas con los problemas comunes de la bomba y sus soluciones.



**IMPORTANTE:** El motor de esta bomba tiene un protector térmico que se activará si el motor se calienta demasiado. El protector se reiniciará por sí solo cuando el motor se enfría lo suficiente y alcanza una temperatura aceptable. La bomba puede arrancar inesperadamente si está conectada.

## Garantía

El fabricante garantiza los productos contra los defectos en el material y la mano de obra durante un periodo de un año a partir de la fecha de compra. Esta garantía aplica solo al consumidor que hace la compra original y solo a productos que se usan para servicio y uso normales. Si en el plazo de un año el fabricante encuentra defectos en este producto, la única obligación del fabricante, y su exclusivo remedio, es la reparación o reemplazo del producto, a criterio del fabricante, suponiendo que el producto no haya sido dañado debido al uso inadecuado, abuso, accidente, modificaciones, alteraciones, negligencia o manejo inadecuado. Se requiere el recibo de compra original para determinar la elegibilidad de la garantía.

El comprador debe pagar por todos los costos de mano de obra y envío necesarios para reemplazar el producto cubierto por esta garantía.

Esta garantía limitada no aplica a productos con daños resultado de un accidente, uso indebido, abuso, negligencia, alteración, instalación o mantenimiento inapropiado, no operar los productos de acuerdo a las instrucciones incluidas, o fallas de funcionamiento causadas por corrosión, óxido u otros materiales extraños en el sistema.

Las solicitudes de servicio bajo esta garantía se realizarán retornando el producto defectuoso al fabricante lo antes posible una vez descubierto el supuesto defecto. El fabricante tomará acciones correctivas tan pronto como sea razonablemente posible.

El fabricante no garantiza la idoneidad para cualquier propósito en particular y en especial renuncia a cualquier garantía expresa o implícita sobre ella, aparte de la garantía contenida en el presente documento. Este es su exclusivo remedio y se excluye cualquier responsabilidad por daños o gastos indirectos o consecuentes.

Algunos estados no permiten la exclusión o limitación de los daños incidentales o resultantes, ni las limitaciones en la duración de las garantías implícitas, de manera que las limitaciones o excepciones mencionadas quizás no se apliquen en su caso. Esta garantía le brinda derechos legales específicos y quizás usted tenga otros derechos que varían según el estado.

Comuníquese con el equipo de Atención al Cliente al 1-844-883-1872 o visite [www.HomeDepot.com](http://www.HomeDepot.com).

## Antes de la instalación

### PLANIFICACIÓN DE LA INSTALACIÓN

Esta bomba de sumidero sumergible está diseñada para aplicaciones de sumideros domésticos. Use esta bomba solo para bombear agua. La unidad no está diseñada como bomba para cascadas o fuentes, ni para aplicaciones que involucren agua salada o agua de mar. El uso con cascadas, fuentes, agua salada o agua de mar anulará la garantía. No usar donde haya recirculación de agua. Esta bomba no está diseñada para su uso como drenaje para piscina.

### REQUISITOS DE INSTALACIÓN



**AVISO:** Instale la bomba sobre una superficie dura y nivelada (cemento, asfalto, etc.). Nunca coloque la bomba directamente sobre la tierra, arcilla o grava.

- Use una tubería de plástico rígida para la descarga. No utilice pasta ordinaria para uniones de tuberías. La pasta para uniones de tuberías puede atacar los plásticos.



**PRECAUCIÓN:** Riesgo de inundación. Puede causar lesiones personales o daños a la propiedad. Si se utiliza una manguera de descarga flexible, asegúrese de que la bomba esté fija al sumidero para evitar el movimiento. No fijar la bomba puede causar que se mueva, interferir con el interruptor y evitar que la bomba arranque o se detenga.

- Para reducir los ruidos y vibraciones del motor, se puede conectar una manguera de goma de poca longitud (1-7/8 pulgada (47.6 mm) de diámetro interno, por ejemplo, manguera de radiador) a la línea de descarga cerca de la bomba mediante abrazaderas adecuadas.
- Si la válvula de retención no está equipada con un orificio de drenaje de aire para evitar que el aire bloquee la bomba, taladre un orificio de 1/8 pulgada (3.2 mm) en la tubería de descarga justo encima de donde la tubería de descarga se enrosca a la descarga de la bomba. Asegúrese de que el orificio esté por debajo de la línea de agua y la válvula de retención para evitar bloqueos por aire.
- Si la línea de descarga de la bomba está expuesta a exteriores con temperaturas bajo cero, una parte de la línea se debe instalar de manera que si queda algo de agua en la tubería esta drenará por caída libre. No hacer esto puede hacer que el agua atrapada en la descarga se congele y dañe la bomba.
- El sello del eje depende del agua para lubricarse. No utilice la bomba a menos que esté sumergida en agua ya que el sello puede dañarse si funciona en seco.
- No cambie la longitud del interruptor flotador.

### REQUISITOS ELÉCTRICOS

- Para el funcionamiento automático, enchufe la bomba a un tomacorriente GFCl. Conecte la bomba a un circuito independiente sin otros tomacorrientes o equipos en el circuito.
- Tamaño de fusibles o disyuntores según esta tabla:

CV	Voltaje	Requiere un circuito derivado independiente (A)
1/2	115	15

### TABLA DE DESEMPEÑO

SKU	CV	Amperaje	LPM de agua a pies de elevación total					Elevación máx.
			0 pies	5 pies	10 pies	15 pies	20 pies	
1004 118 355 1004 118 361	1/4	6.0	151	140	124	105	--	20 pies
1004 118 371 1004 118 379	1/3	6.0	162	151	136	121	49	23 pies
1004 118 292 1004 118 395	1/2	6.0	177	162	151	132	68	25 pies

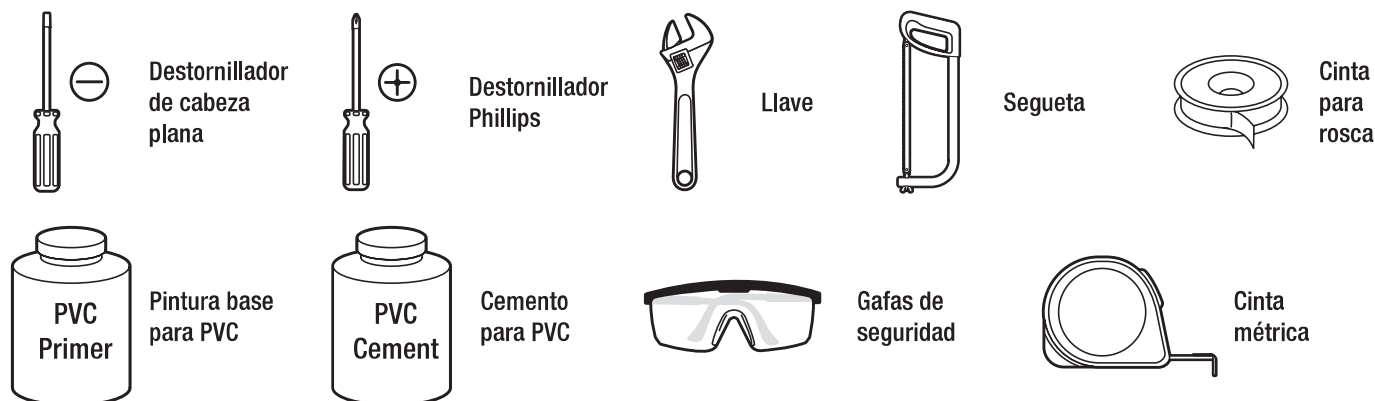


# Antes de la instalación (continuación)

## ESPECIFICACIONES

Alimentación	Circuito de 115 V, 60 Hz, 15 A	
Rango de temperatura del líquido	32° – 95 °F (0° – 35 °C)	
Tamaño de descarga	1-1/2 pulg. FNPT o 1-1/4 pulg. FNPT (con adaptador)	
Estanque sumidero	Mín. 14 pulg. (356 mm) de diámetro, 18 pulg. (457 mm) de ancho para el interruptor flotador Mín. 10 pulg. (254 mm) de diámetro, 14 pulg. (356 mm) de profundidad para el interruptor vertical	
Nivel de agua encendido / apagado	1004 118 361 1004 118 379 1004 118 395	ENCENDIDO: 13.8 - 15.7 pulg. (350 - 400 mm), APAGADO: 5.9 - 7.0 pulg. (150 - 200 mm)
	1004 118 355 1004 118 371 1004 118 292	ENCENDIDO: 6.3 - 6.7 pulg. (160 - 170 mm), APAGADO: 2.3 - 3.15 pulg. (60 - 80 mm)

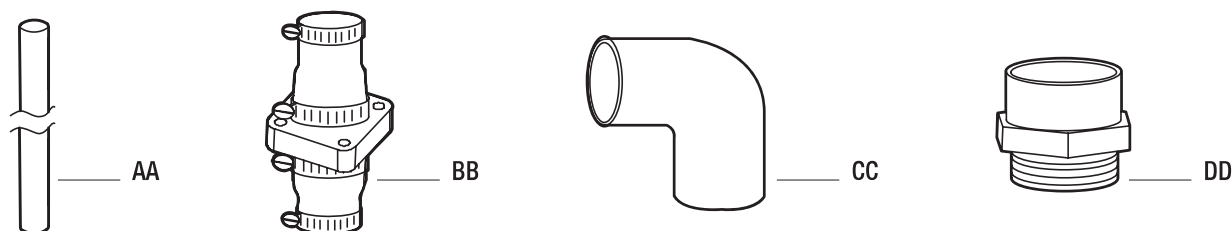
## HERRAMIENTAS REQUERIDAS



## MATERIALES REQUERIDOS (NO INCLUIDOS)



**NOTA:** El herraje no se muestra en su tamaño real.



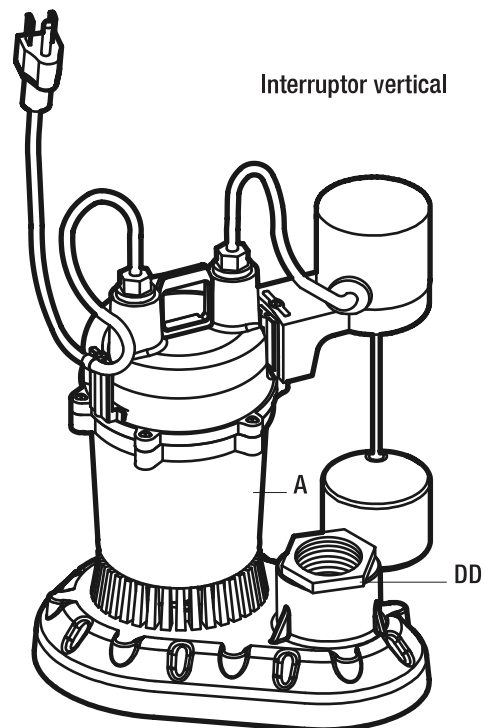
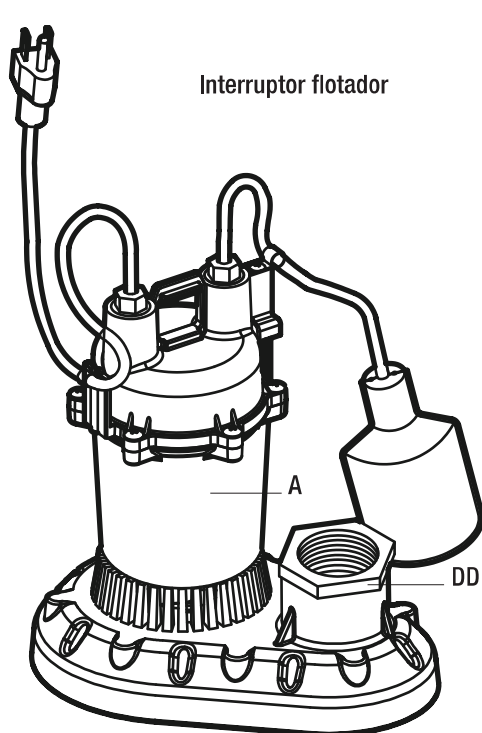
Pieza	Descripción	Cantidad
AA	Tubería de descarga de 1-1/4 pulgada o 1-1/2 pulgada	1
BB	Válvula de control de 1-1/4 pulgada o 1-1/2 pulgada	1

Pieza	Descripción	Cantidad
CC	Codo de 90° de 1-1/4 pulgada o 1-1/2 pulgada	1
DD	Adaptador de tubería	1



## Antes de la instalación (continuación)

### CONTENIDO DEL PAQUETE

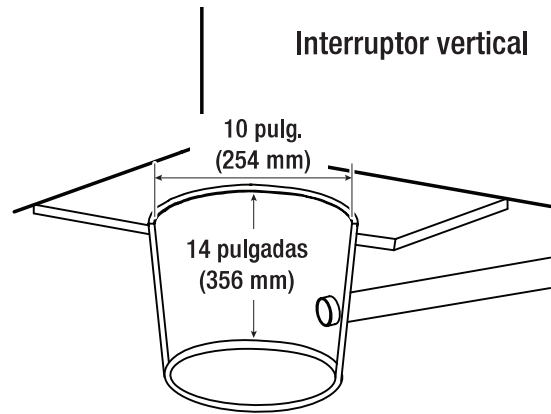
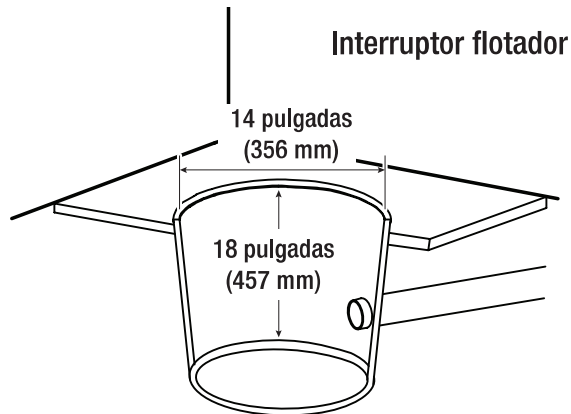


Pieza	Descripción
A	Bomba
DD	Adaptador (1-1/2 pulgada NPT macho X 1-1/4 pulgada NPT hembra)

# Instalación

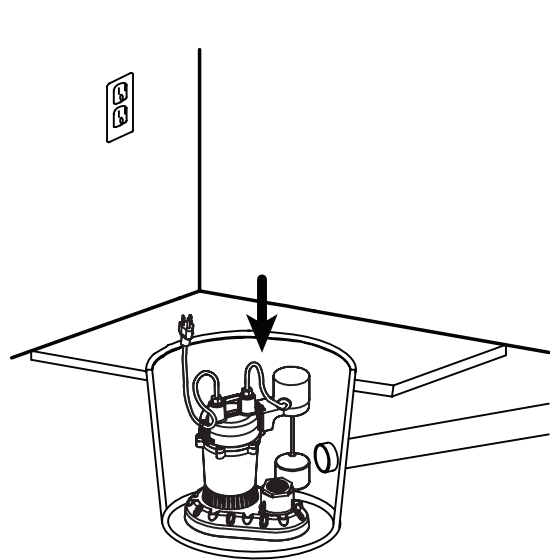
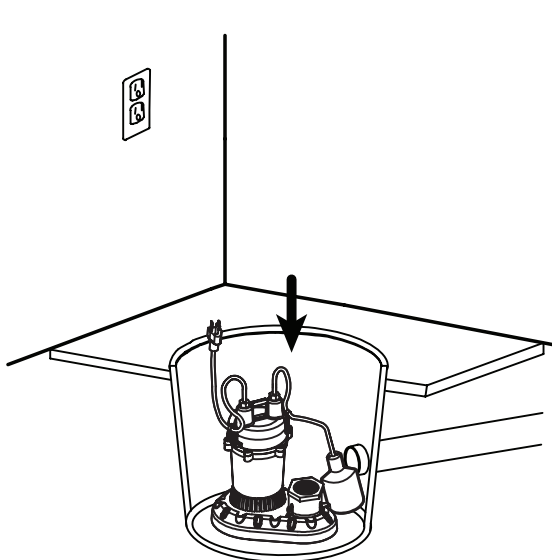
## 1 Preparación del sumidero de la bomba

- El sumidero de la bomba se debe instalar en un estanque sumidero con un diámetro mínimo de 10 pulgadas (254 mm) para modelos con interruptor vertical y 14 pulgadas (356 mm) para modelos con interruptor flotador.
- El estanque sumidero debe tener una profundidad mínima de 14 pulgadas (356 mm) para modelos con interruptor vertical y 18 pulgadas (457 mm) para modelos con interruptor flotador.
- El estanque sumidero se puede construir con baldosas, concreto, acero o plástico. Verifique las normas locales para conocer los materiales aprobados y la instalación correcta.



## 2 Colocación de la bomba en un estanque

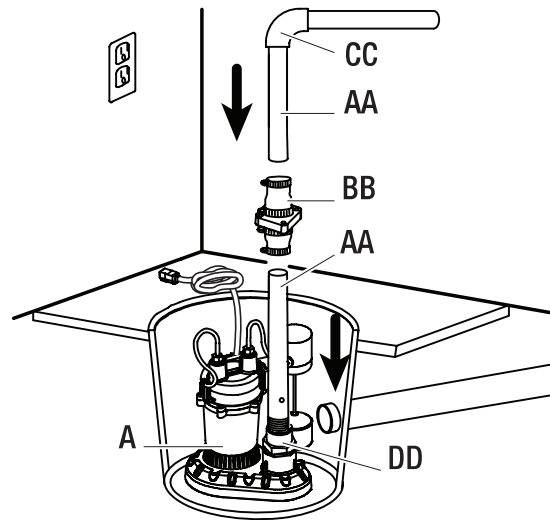
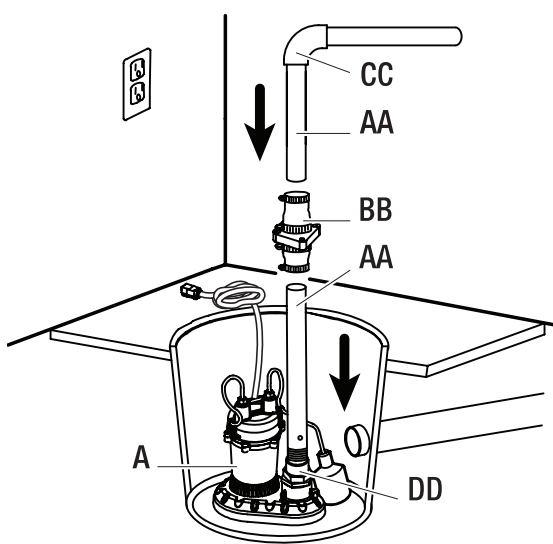
- Coloque la bomba sobre una superficie dura dentro del estanque sumidero. No instale la bomba en superficies de arcilla, tierra o arena.
- Quite los desechos del estanque sumidero que puedan atascar la bomba. Mantenga el filtro de entrada limpio.



## Instalación (continuación)

### 3 Instalación de la tubería de descarga

- Fije un adaptador de tubería (DD) a la tubería de descarga (AA). Coloque cinta selladora de rosca de tubería PTFE en las roscas.
- Enrosque la tubería de descarga (AA) a la bomba (A) de manera que quede apretada a mano, más 1-1/2 vueltas.
- Instale una válvula de retención (BB) en la línea o en la bomba.



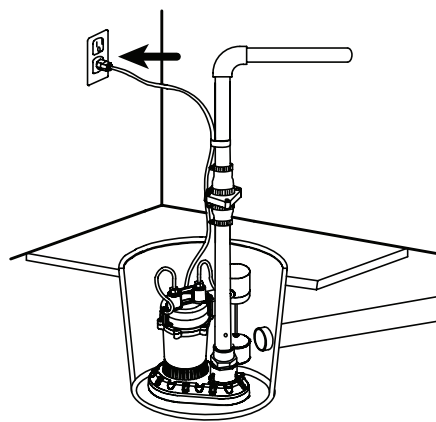
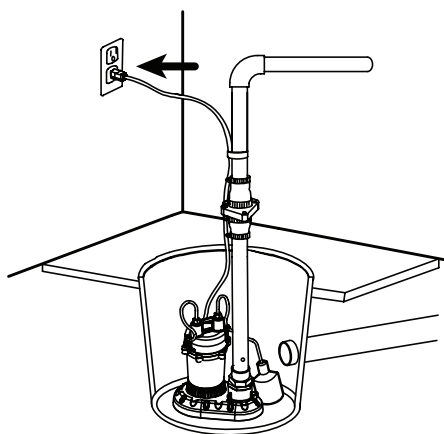
## Funcionamiento

### 1 Conexión de la alimentación

- Enchufe el cable de alimentación a un tomacorriente GFCI de 115 V.



**ADVERTENCIA:** No manipule esta bomba ni la enchufe o desenchufe con las manos húmedas, o si está parado en agua, a menos que esté seguro de que se ha desconectado la alimentación de la bomba. Recuerde, la bomba solo se debe conectar a un tomacorriente GFCI bien conectado a tierra.



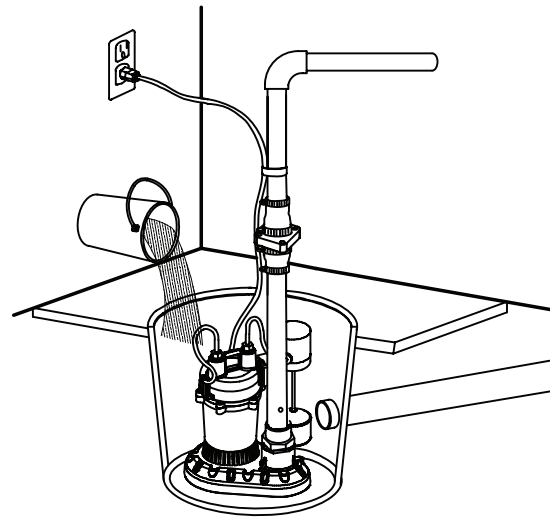
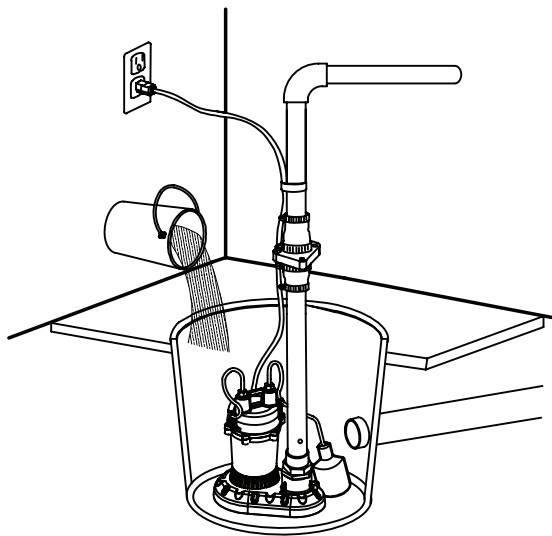
## Funcionamiento (continuación)

### 2 Funcionamiento de la bomba

- ❑ Después de conectar la alimentación a la bomba, pruébela llenando el estanque sumidero con agua y observando su funcionamiento por un ciclo completo.
- ❑ El motor posee un protector de sobrecarga térmica con reinicio automático. Si el motor se calienta demasiado, el protector por sobrecarga apagará la bomba antes de que se dañe. Cuando el motor se haya enfriado lo suficiente, el protector por sobrecarga se reiniciará, y el motor volverá a encenderse.
- ❑ La bomba no extraerá toda el agua. Si opera una bomba manualmente, y de repente deja de salir agua por la manguera de descarga, apague la unidad de inmediato. Es probable que el nivel de agua sea muy bajo y la unidad haya perdido el cebado.



**AVISO:** Si el protector por sobrecarga detiene la bomba repetidas veces, desconecte la alimentación de la bomba y realice una verificación para encontrar el problema. Las posibles causas de que el motor se sobrecaliente son la baja tensión, un cable de extensión largo, un propulsor atascado, que el filtro esté obstruido con desechos o que el agua esté muy caliente.

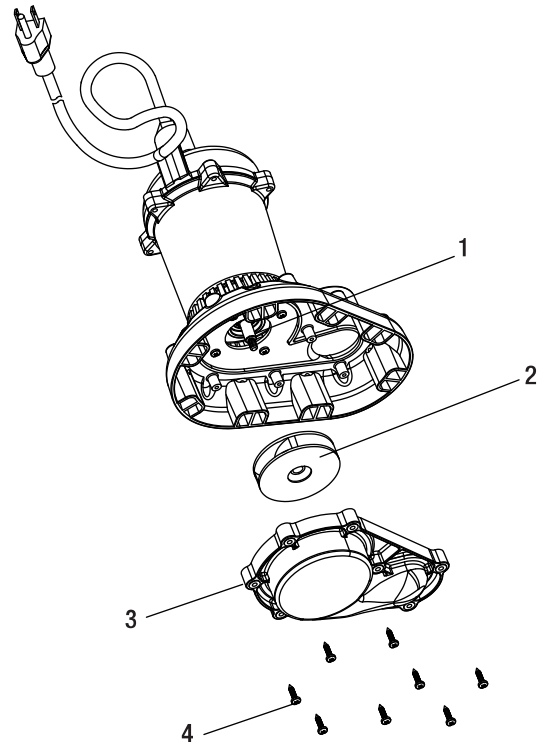


## Cuidado y limpieza



**ADVERTENCIA:** Antes de extraer la bomba del estanque para realizarle servicio, desconecte siempre la alimentación eléctrica a la bomba y al interruptor de control. No levante la bomba tirando del cable de alimentación.

- Desatornille los pernos (4) y quite la voluta (3).
- De ser necesario use un destornillador de cabeza plana para sostener el eje (1); luego gire el propulsor (2) en sentido antihorario para liberarlo.
- Quite los desechos de alrededor del eje (1) y del propulsor (2). El propulsor se muestra afuera para brindar claridad al proceso. No extraiga el propulsor.
- Vuelva a ensamblar la bomba.



## Resolución de problemas

Problema	Causa probable	Solución
La bomba no funciona.	No hay alimentación.	<ul style="list-style-type: none"> <li>□ Reinicie el interruptor GFCI</li> <li>□ Reinicie el disyuntor</li> <li>□ Asegúrese de que la bomba esté enchufada</li> <li>□ Limpie las clavijas del enchufe</li> </ul>
	El propulsor está bloqueado.	Quite los desechos de alrededor del propulsor.
	El interruptor flotador está averiado.	Reemplace el interruptor flotador.
	El motor está averiado.	Reemplace la bomba.
La bomba funciona, pero bombea poca agua o nada.	El filtro está bloqueado.	Limpie el filtro.
	Hay desechos en el propulsor o la descarga.	Quite los desechos.
	El propulsor está roto.	Reemplace el propulsor.
La bomba arranca y se detiene muy seguido.	Hay un reflujó de agua de la tubería o la válvula de retención tiene pérdidas.	Instale o reemplace la válvula de retención.
	El interruptor flotador está trabado.	Limpie el interruptor flotador.
	El interruptor flotador está averiado.	Reemplace el interruptor flotador.
La bomba no se apaga.	El interruptor flotador está enredado.	Vuelva a colocar la bomba y asegúrese de que el interruptor se mueva libremente.
	El interruptor flotador está averiado.	Reemplace el interruptor flotador.



**¿Tiene preguntas o problemas, o le faltan piezas? Antes de devolver a la tienda,  
llame a Atención al Cliente de Everbilt  
Lunes a viernes de 8:00 a.m. a 7:00 p.m., EST, y los sábados de 9:00 a.m. a 6:00 p.m., EST**

**1-844-883-1872**

**HOMEDEPOT.COM**

**Guarde este manual para su uso futuro.**