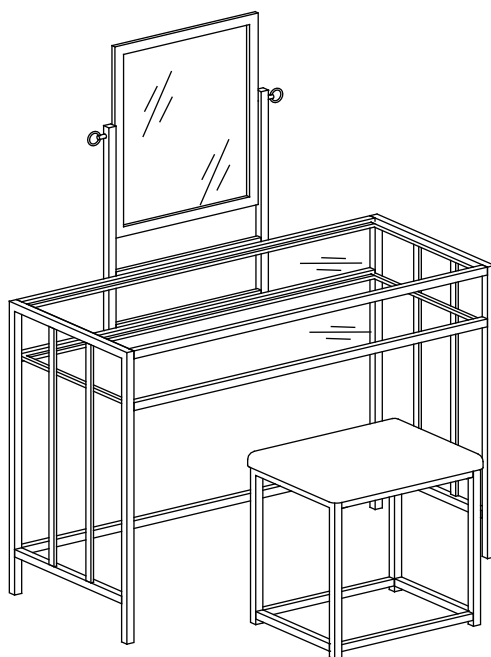


HOME
DECORATORS
COLLECTION

Item # 1004076431
Model # VS8006

USE AND CARE GUIDE

VANITY SET IN GOLD METAL WITH FABRIC



Questions, problems, missing parts? Before returning to the store,
call Home Decorators Collection Customer Service
8 a.m. – 7 p.m., EST, Monday – Friday, 9 a.m. – 6 p.m., EST, Saturday

1-800-998-7021

HOMEDEPOT.COM/HOMEDECORATORS

THANK YOU

We appreciate the trust and confidence you have placed in Home Decorators Collection through the purchase of this Vanity set in gold metal with fabric. We strive to continually create quality products designed to enhance your home. Visit us online to see our full line of products available for your home improvement needs. Thank you for choosing Home Decorators Collection!

Table of Contents

Table of Contents.....	2	Assembly – 1	5
Safety Information.....	2	Assembly – 2	6
Warranty.....	2	Assembly – 3	7
What is Covered	2	Assembly – 4	8
What is Not Covered	2	Maintenance	9
Pre-assembly	3	Care and Cleaning.....	9
Planning Assembly	3		
Tools required	3		
Hardware Included.....	3		
Package Contents	4		

Safety Information

DANGER

1. To avoid danger of suffocation , keep the small parts/bolts and glass /mirror away from babies and children.
2. Make sure all bolts are tightly fastened before the product is used.
3. Please read the assembly instructions carefully prior to assembling the product.

WARNING

1. Should this products become damaged, and/or components are broken or missing, DO NOT USE.
2. To avoid damage, assemble the product on a non-abrasive surface such as carpet.
3. Please make sure you have all parts before beginning assembly.
4. Do not throw away any packaging material until assembly is completed

CAUTION

1. Adult assembly required. Assembly may require two people.
2. Please wait until all steps are completed before tightening bolt.
3. Use the long end of the allen wrench to fasten allen bolts loosely and quickly.
4. Use the short end of the allen wrench for final tightening.
5. Do not tighten bolts completely until all bolts are completely lined up and inserted into holes /nuts
6. PLEASE NOTE: For your safety ,to prevent the danger of this unit tipping over, it is important that the wall anchors are properly attached.
7. This unit is intended for use only with the products and/or maximum weights indicated.(top and shelf maximum weight:50lbs
Use with other products and/or products heavier than the maximum weights indicated may result in instability or cause possible injury.
8. Phillips-head screwdriver is not included.

Warranty

3 YEAR WARRANTY

WHAT IS COVERED

THD warrants its product to be free from defects in material and workmanship and agrees to remedy any such defect. This warranty covers 3 years from the date of original purchase. This warranty is valid only upon presentation of proof of purchase.

WHAT IS NOT COVERED

It remains the customer's responsibility for freight and packaging charges to and from the customer service center. Labor and material charges to remove or replace parts under this warranty are not covered. This warranty does not cover: Furniture used for commercial purposes, failures caused by improper installation or abusive use, Freeze damage, acts of god, rust, purchased parts or return freight and packaging charges .

Contact the Customer Service Team at 1-800-998-7021 or visit www.HomeDepot.com/HomeDecorators.

Pre-assembly

PLANNING ASSEMBLY

Ensure all parts and components are present before beginning assembly.
Assemble on soft, smooth surface to prevent damage to product finish.
Do not over tighten screws and bolts to avoid stripping.



NOTE: DO NOT use power tools

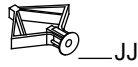
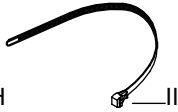
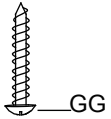
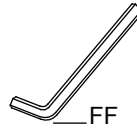
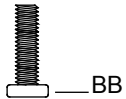


Phillips
screwdriver

HARDWARE INCLUDED



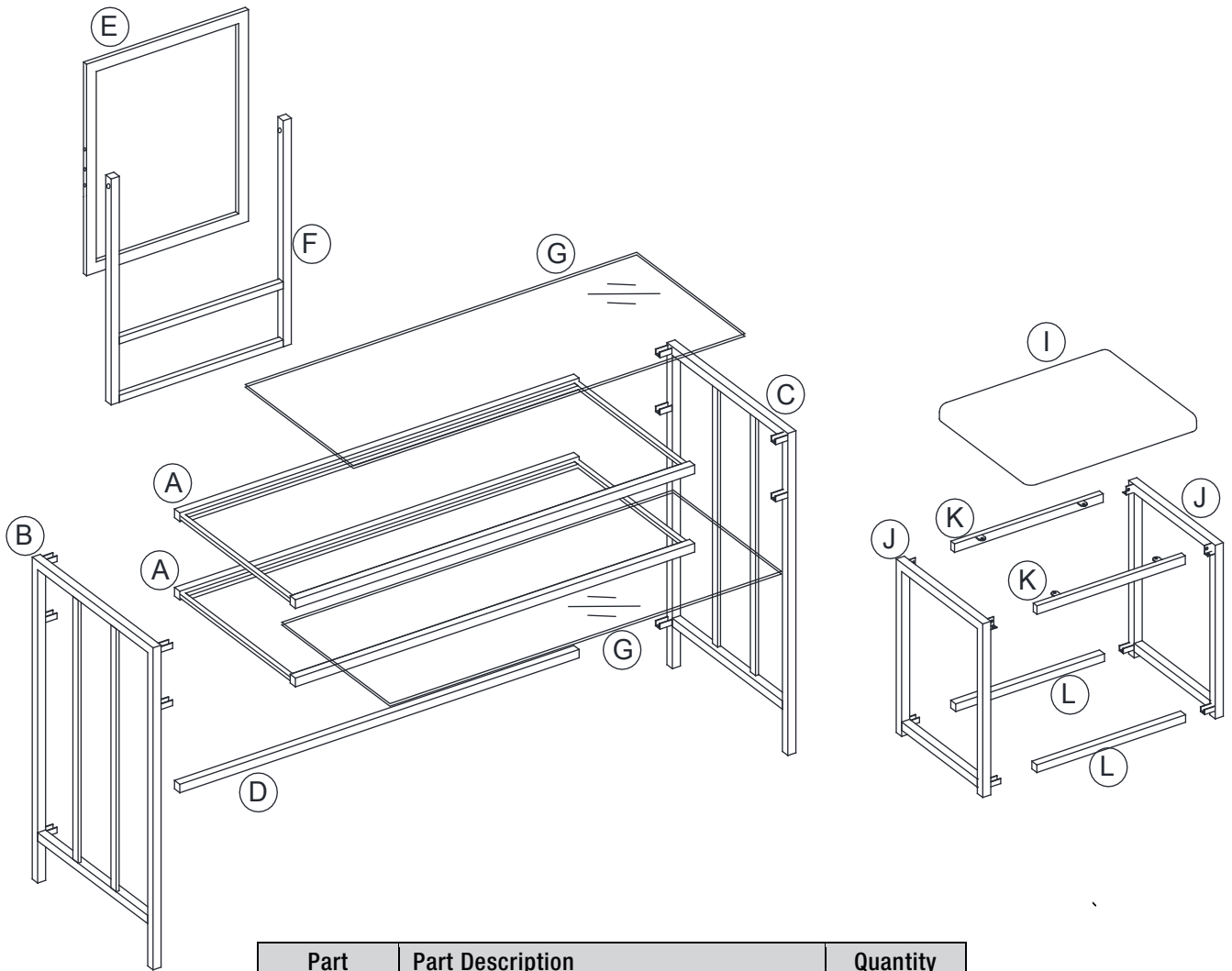
NOTE: Hardware not shown to actual size.



Part	Hardware list	Quantity
AA	Bolt 1/4x12mm	22
BB	Bolt 1/4x35mm	4
CC	Screw 20mm	4
DD	Flat Washer	2
EE	Glass Pad	12
FF	Allen Key	1
GG	Wall Screw	2
HH	Metal Plate	2
II	Strap	2
JJ	Wall Anchor	2
KK	Bolt	2

Pre-assembly (continued)

PACKAGE CONTENTS



Part	Part Description	Quantity
A	Shelf Frame	2
B	Side Frame(Left)	1
C	Side Frame(Right)	1
D	Rear Stretcher	1
E	Mirror	1
F	Support Frame	1
G	Glass shelf	2
I	Seat	1
J	Seat Side Frame	2
K	Seat Stretcher	2
L	Seat Bottom Stretcher	2

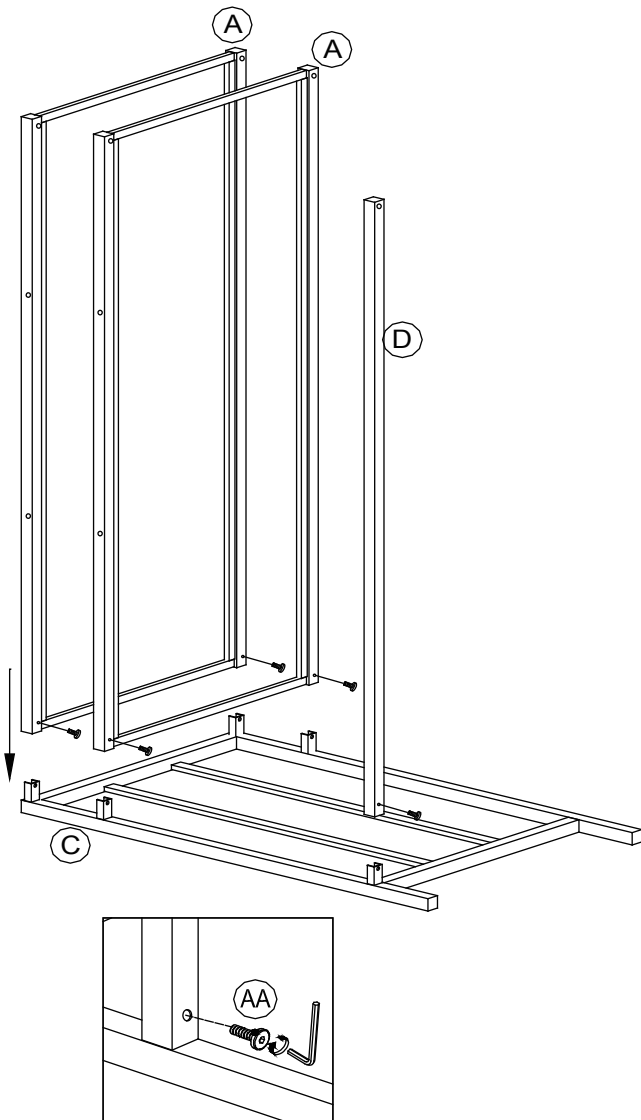
Assembly

1 Attaching the glass shelf and Rear stretcher

- Attach the glass shelf (A) and rear stretcher (D) to the left side frame (C) with short bolt (AA) and tighten with allen wrench (FF) after all bolts are completely lined up and inserted into the holes

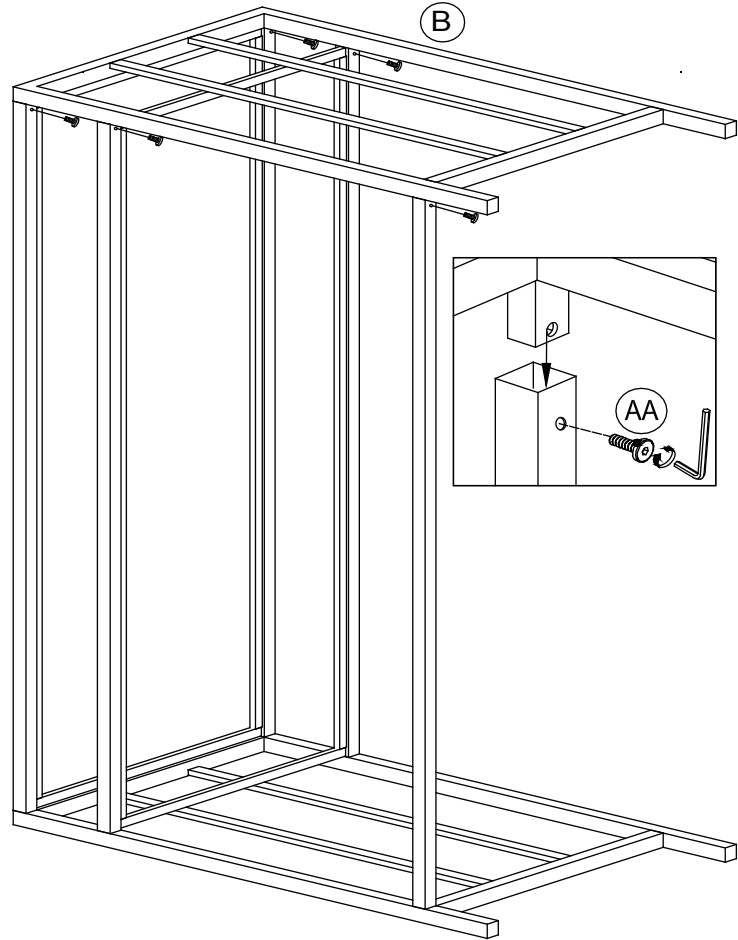


CAUTION: Note the two glass shelf with holes on same position (back side)



2 Attaching Right Side frame

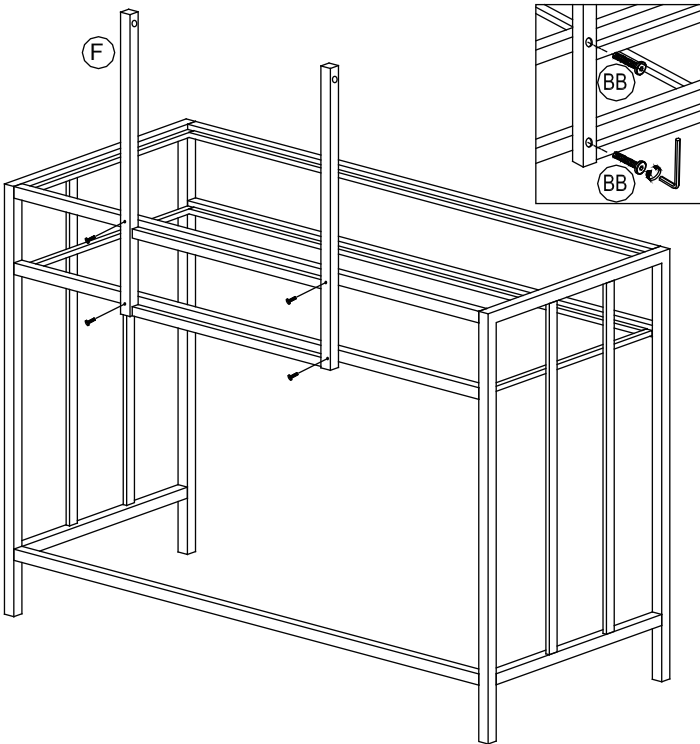
- Attach the right side frame (B) to the glass shelf and rear stretcher with short bolt (AA) and tighten with allen wrench (FF) After all bolts are completely lined up and inserted into the holes.



Assembly

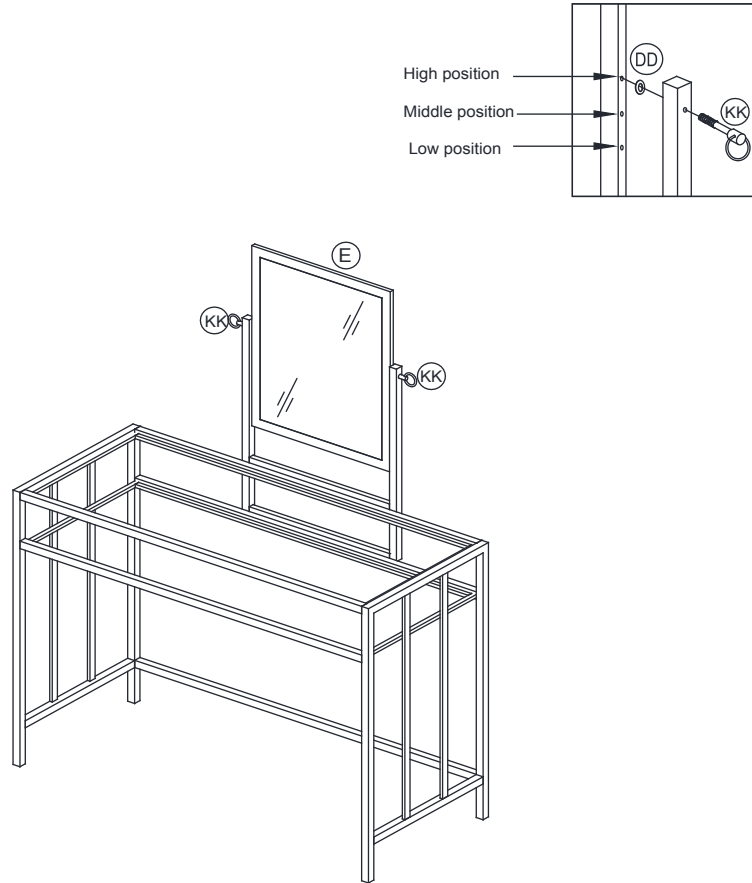
3 Attaching the Support frame

- Attach the support frame(F) to the pre-assembled metal frame (G) with bolts (BB). Use Allen wrench (FF) to tighten.



4 Attaching the Mirror

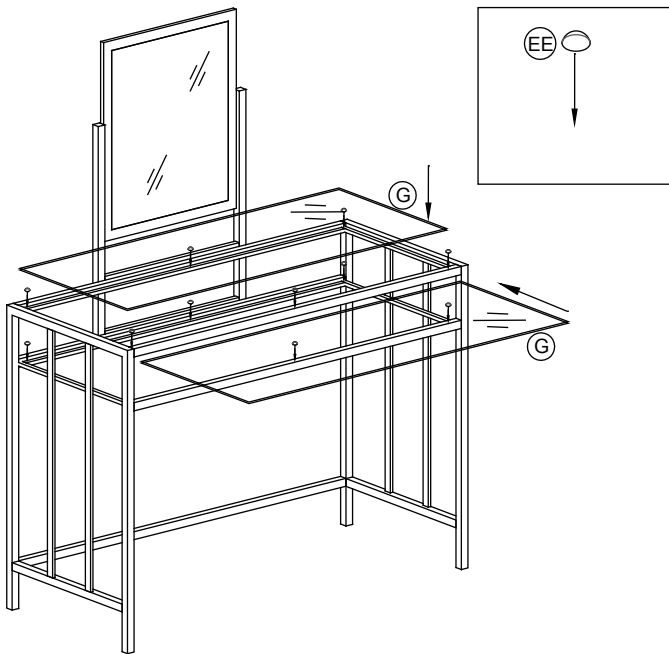
- Please be noted : the mirror can be assembled to three height position. Select the proper position to assemble the mirror for your desired height. Attach the mirror(E) to the support frame (F) with bolts (H) and flat washer (DD). Use bolt (KK) to tighten or adjust the angle.



Assembly

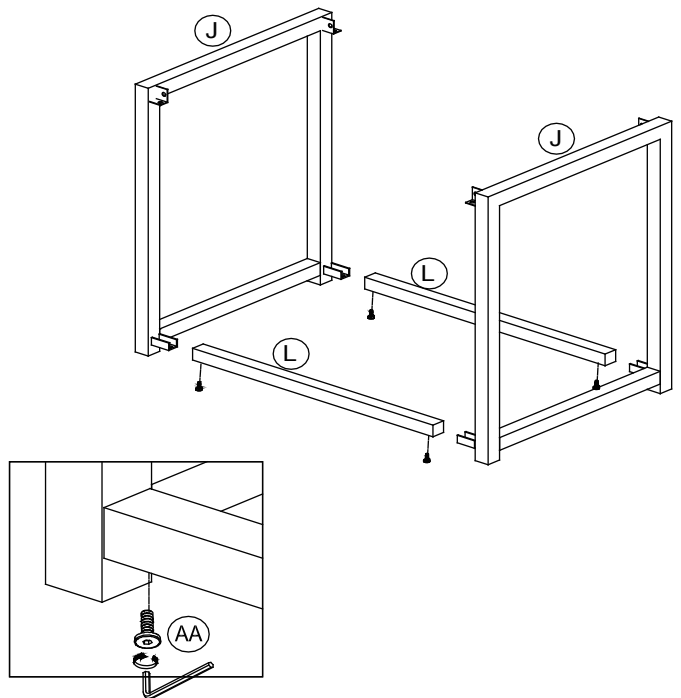
5 Attaching the glass

- Put the glass pad (EE) on the metal frame and attach the glass shelf (G) on the metal frame. Noted the lower glass shelf(G) should be put in from front side. Gently place the glass top (G) on top of the glass pads (EE).
- Fully tighten all bolts previously installed with Allen Wrench. Please use hand tools to assemble this product. Do not use power tools. Tighten all the bolts only on a level surface.



6 Attaching the seat side frame

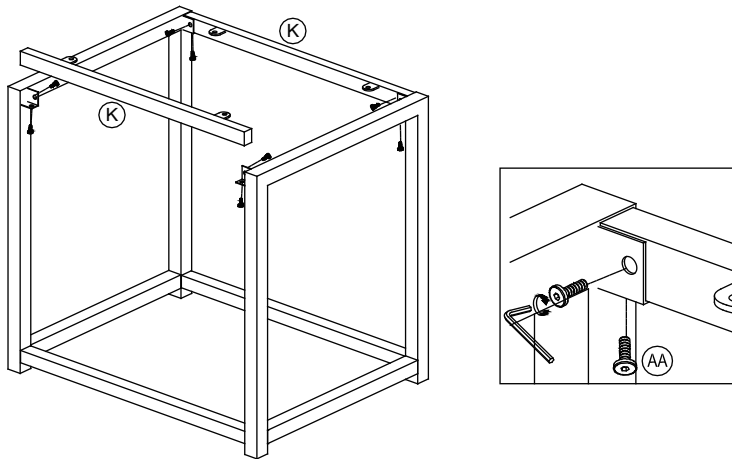
- Attach the bottom stretcher (L) to the side frame (J) with bolt (AA). Use allen wrench (FF) to tighten.



Assembly

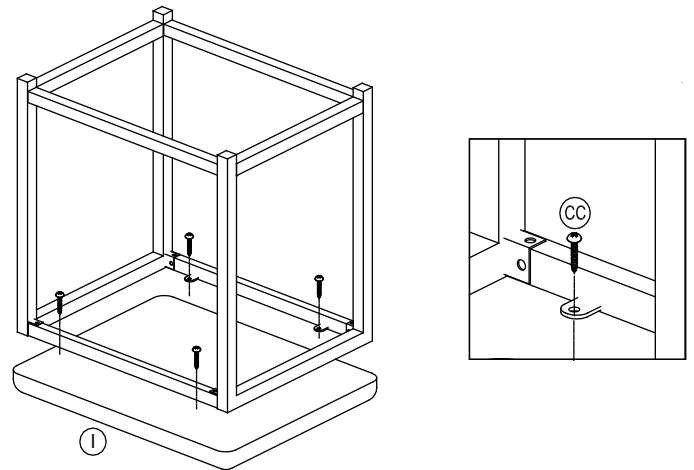
7 Attaching the seat stretcher

- Attach the seat stretcher (K) to the side frame (J) with bolt (AA). Use allen wrench (FF) to tighten.



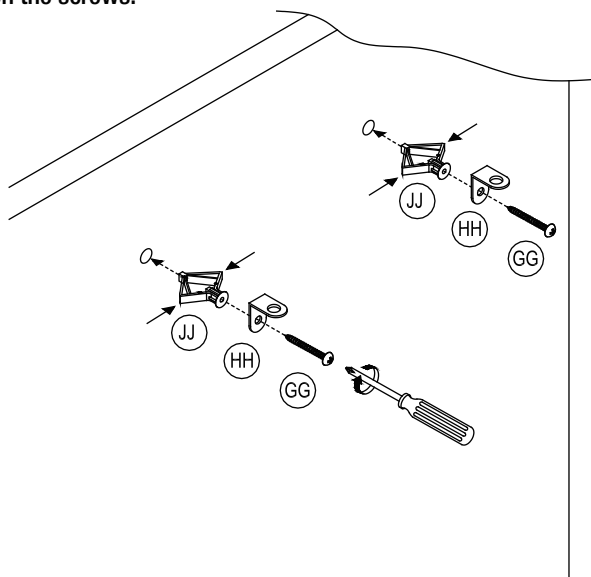
8 Attaching the seat side frame

- Attach the seat cushion (I) to the chair frame with wood screws (CC). Use a Phillips head screwdriver (not included) to tighten the screws. NOTE: Seat cushion (I) does not have pre-drilled holes. Wood screws (CC) will make their own holes in seat cushion (I).



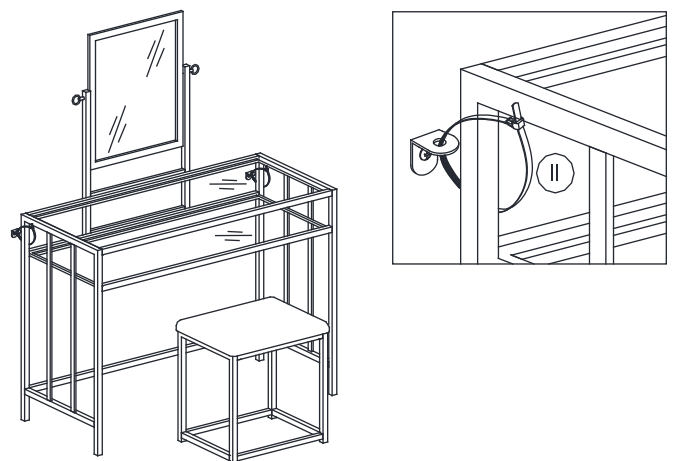
9 Attaching the wall anchors

- PLEASE NOTE: For your safety, to prevent the danger of this unit tipping over, it is important that the wall anchors are properly attached.
- After locating the desired placement for your unit, drill 2 small guide holes and insert the anchors (JJ) into your wall. Then attach metal plate (HH) to wall using screws (GG). Use a Phillips head screwdriver (not included) to tighten the screws.



10 Attaching the wall anchors

- Attach the vanity to wall using straps (II) as shown.



WARNING

Serious or fatal crushing injuries can occur from furniture tipover. To help prevent tip-over:

Install tipover restraint provided.
Place heaviest items in the lower drawers.
Unless specifically designed to accommodate, do not set TVs or other heavy objects on top of this product.

Never allow children to climb or hang on drawers, doors or shelves.
Never open more than one drawer at a time.
(OR)

Do not defeat or remove the drawer interlock system.

Use of tipover restraints may only reduce, but not eliminate, the risk of tipover.

Maintenance

- Check bolts/screws periodically and tighten them if necessary

Care and Cleaning

- Dust this item regularly with a soft, lint-free cloth to prevent soil build up.
- Wipe away spills immediately to prevent staining using a clean cloth dampened with water.
- Do not use liquid or abrasive cleaners on the metal frame as this may damage the finish.
- Dust the upholstery regularly with a clean, dry cloth to avoid soil build-up. A damp cloth may be used occasionally to clean surface.
- Buff dry. Keep fabric soft and supple by applying a fabric care product occasionally. Avoid contact with oil, furniture polish and varnish.

HOME DECORATORS COLLECTION

Questions, problems, missing parts? Before returning to the store,
call Home Decorators Collection Customer Service
8 a.m. – 7 p.m., EST, Monday – Friday, 9 a.m. – 6 p.m., EST, Saturday

1-800-998-7021

HOMEDEPOT.COM/HOMEDECORATORS

Retain this manual for future use.