

Please carefully read and save these instructions before attempting to assemble, maintain, install, or operate this product. Observe all safety information to protect yourself and others. Failure to observe the instructions may result in property damage and/or personal injury. Please keep instructions for future reference.

Important Operating Instructions



Wagon

Model: 52178

DO NOT RETURN TO STORE.
Please CALL 800-348-5004 for parts and service.

Important!

Please read the complete operating manual with due care. Keep this manual in a safe place, so that the information is available at all times. If you give the equipment to any other person, give them these operating instructions as well. We accept no liability for damage or accidents which arise due to non-observance of these instructions and the safety information herein.

SPECIFICATIONS

Tires: (4) Pneumatic 10"

Deck Size: 33-5/8" x 15-3/4" x 5-1/2"

Inside Dimensions: 31-7/8" x 13-3/4" x 4"

Max. Weight Capacity: 300 Lbs.

UNPACKING

When unpacking your wagon, check to make sure the following parts are included. If any are missing, please contact North American Tool. The Parts list is located on page 4.

SAFETY

Do not operate this product if you are under the influence of alcohol or drugs. Read warning labels on prescriptions to determine if your reflexes and/or judgment may be impaired.

Keep hands and feet inside the wagon. Be careful not to get fingers, hands, or feet under the tires.

Protective gloves and non-skid footwear is recommended.

Be very cautious when going over steps and curbs.

Be careful when navigating the wagon on rough terrain.

Only one person in the wagon at a time.

Do not exceed the maximum weight capacity.

The occupant must be sitting at all times.

An approved safety helmet must be worn at all times.

For ages 5 and up. Use only under adult supervision.

BEFORE OPERATING

Insure that all of the screws are tight and nothing appears to be damaged. Do not use if the wagon does not appear to function properly.

Do not over inflate the tires. Check the instructions for proper air pressure.

Inspect all parts for sharp edges before using your wagon. Sharp edges may cause injury.

Make certain to park the wagon on a level and secure area.

ASSEMBLY

Read and follow the assembly steps carefully.

For warranty purchases, please keep your dated proof of purchase. File or attach to the manual for safekeeping.

Step 1 -

Take Wagon out of Carton

Remove the wagon and its pieces from the box. Make sure you have all of the pieces. See the parts list for reference.

Place the wagon bed upside down, using the cardboard box to protect the surface from being scratched.

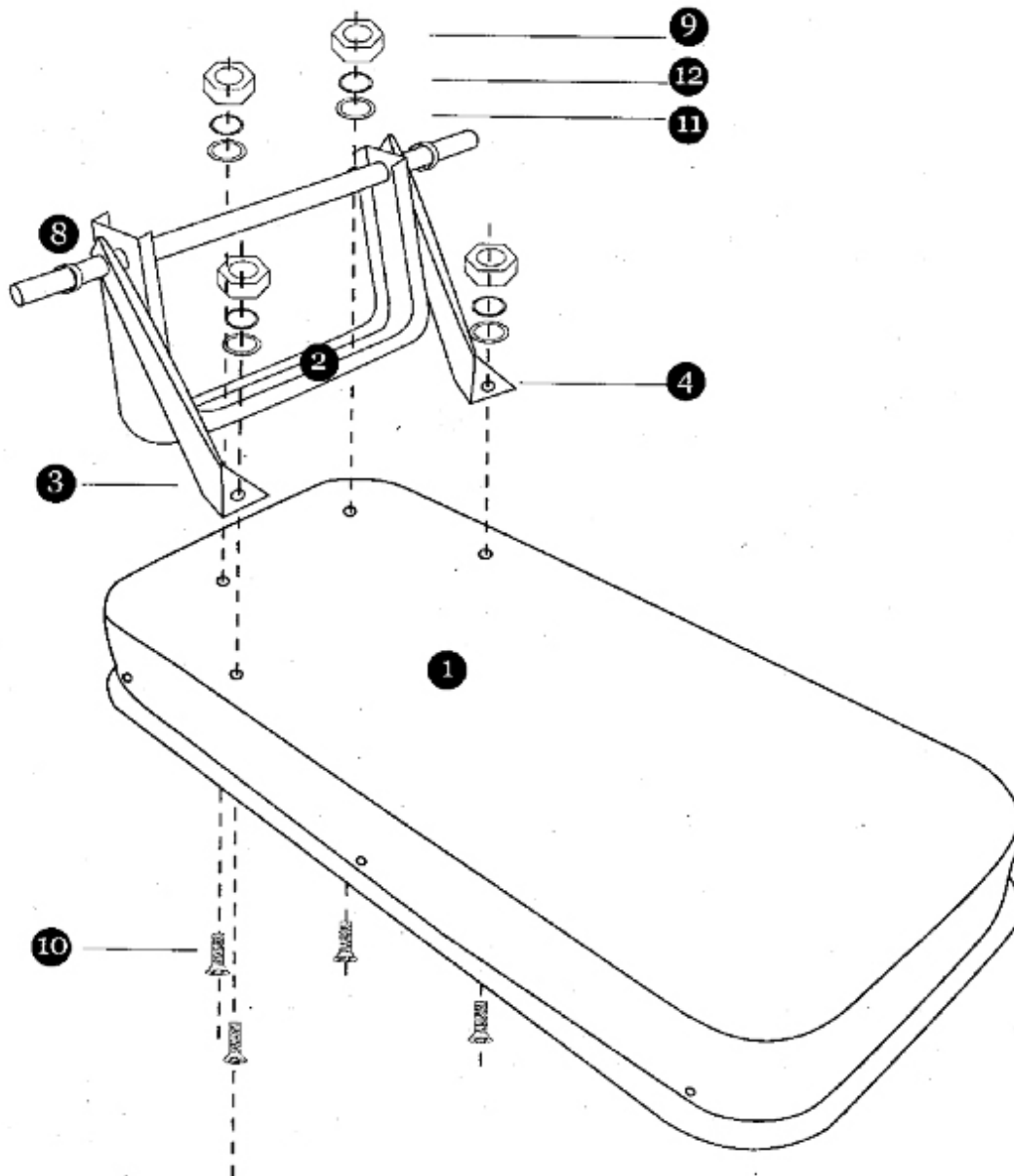
Step 2 -

Rear Support Assembly

Attach the rear axle support (2) to the bed using 25mm bolts (10), 6mm washers (11), 6mm lock washers (12), and 5mm nuts.

Attach the left and right support braces (3,4) and ring (8) on both sides of the rear axle support (2) and attach to the wagon bed (1) using bolts, washers, lock washers, and nuts.

Tighten all nuts securely.



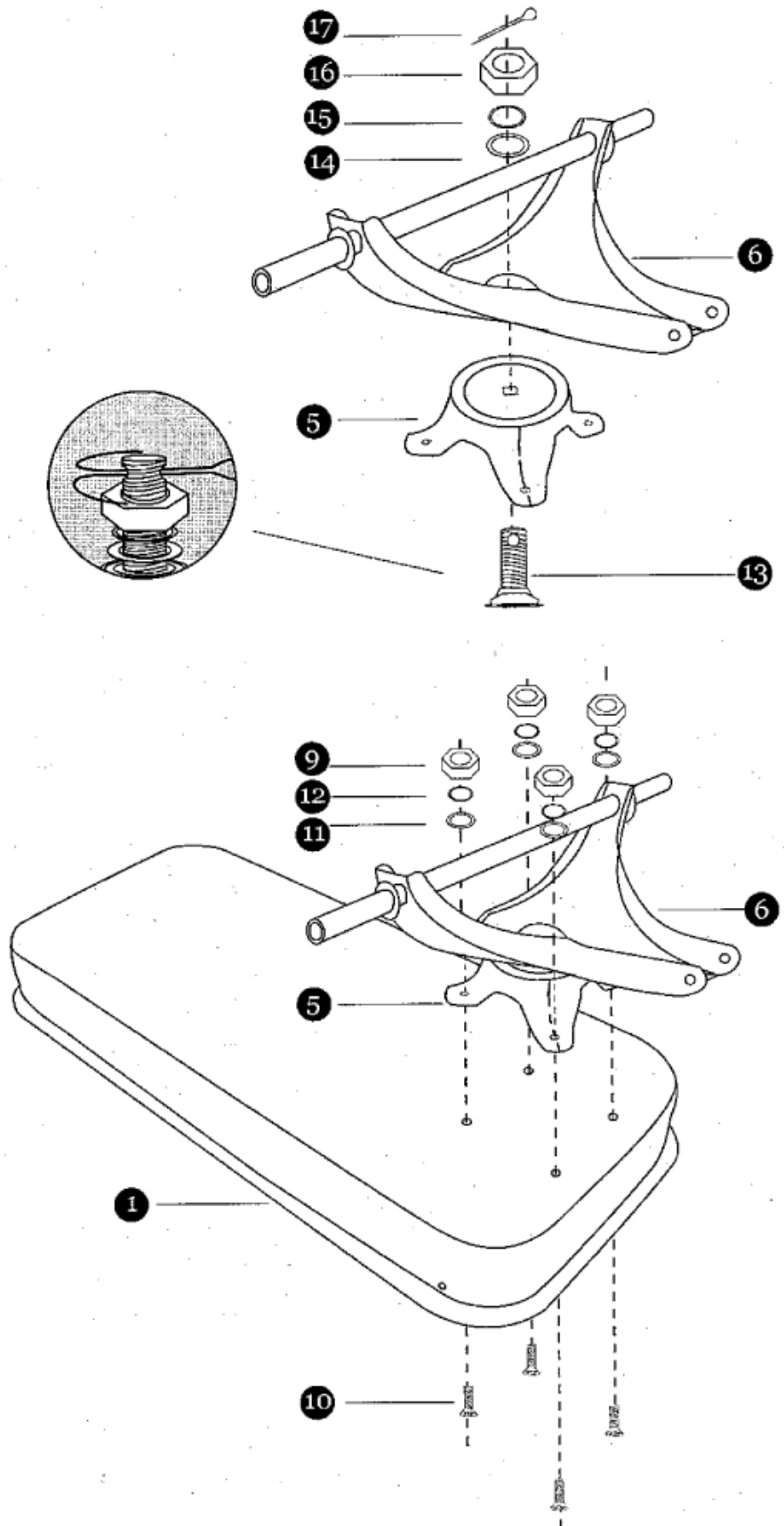
Step 3 -

Front Support Assembly

Attach front support - 1 (5) and front support - 2 (6) with bolts, washers, lock washers, nuts, and pins

NOTE: Make sure the pin is bended as the diagram shown.

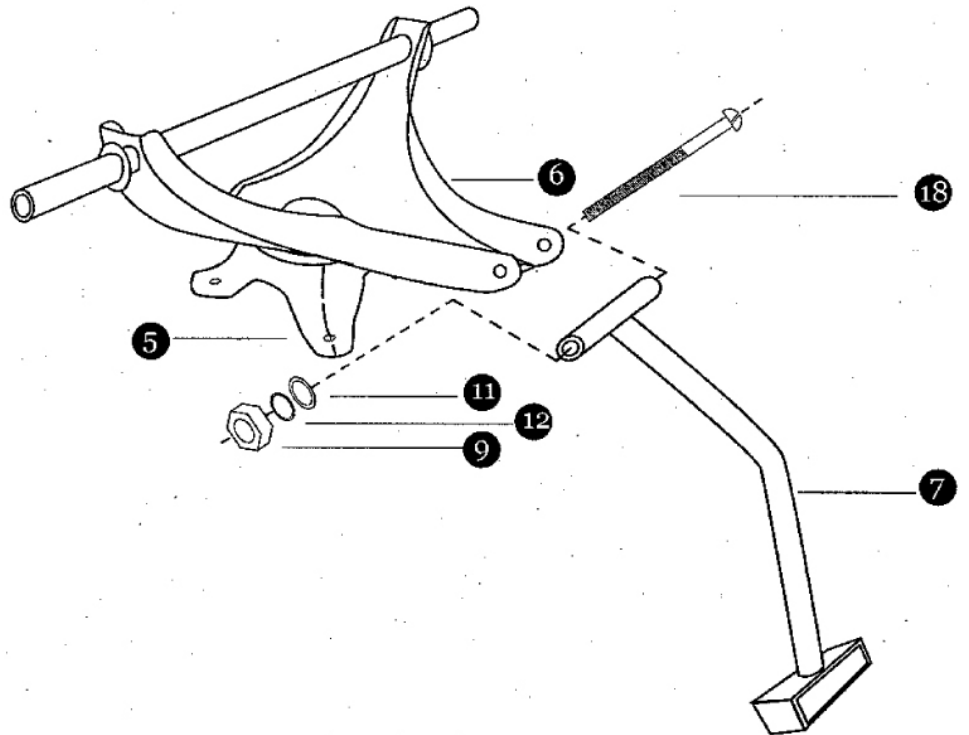
Attach the assembled front support (5,6) to the bed using 25mm Bolts, washers, lock washers, and nuts.



Step 4 -

Handle Assembly

Attach the handle (7) using a 74mm bolt (18), 6mm washer (11), 6mm lock washer (12), and 5mm nut (9) on the front support.

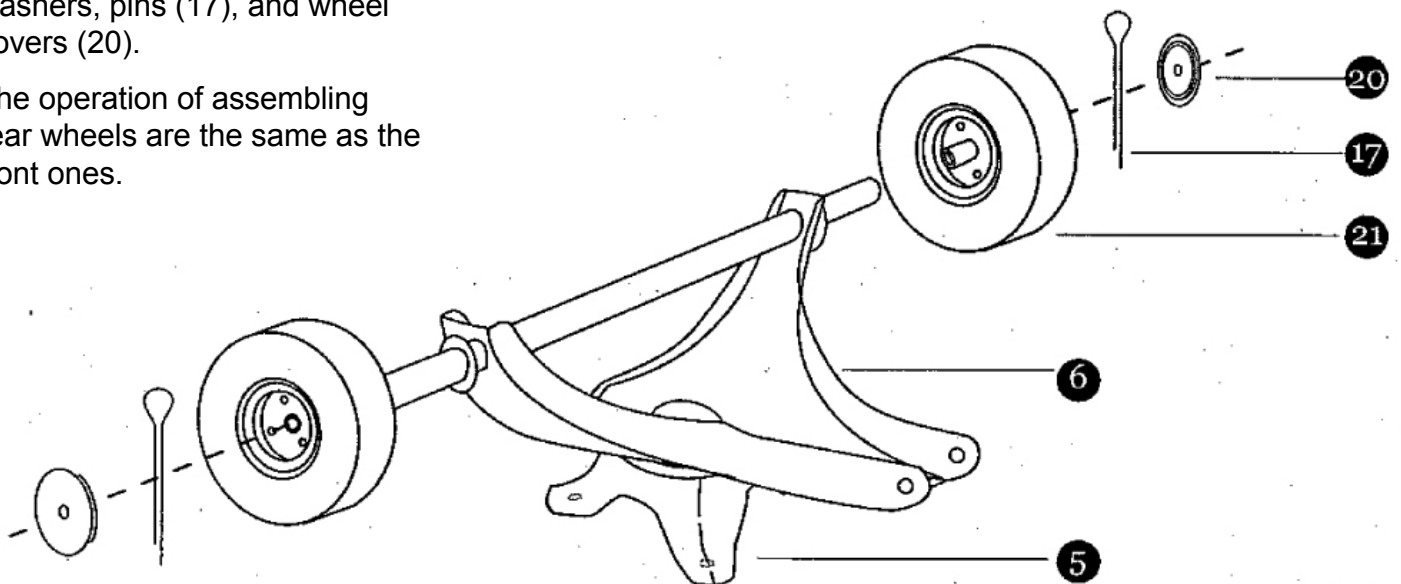


Step 5 -

Wheel Assembly

Attach wheels on the front & rear support with 16mm washers, pins (17), and wheel covers (20).

The operation of assembling rear wheels are the same as the front ones.

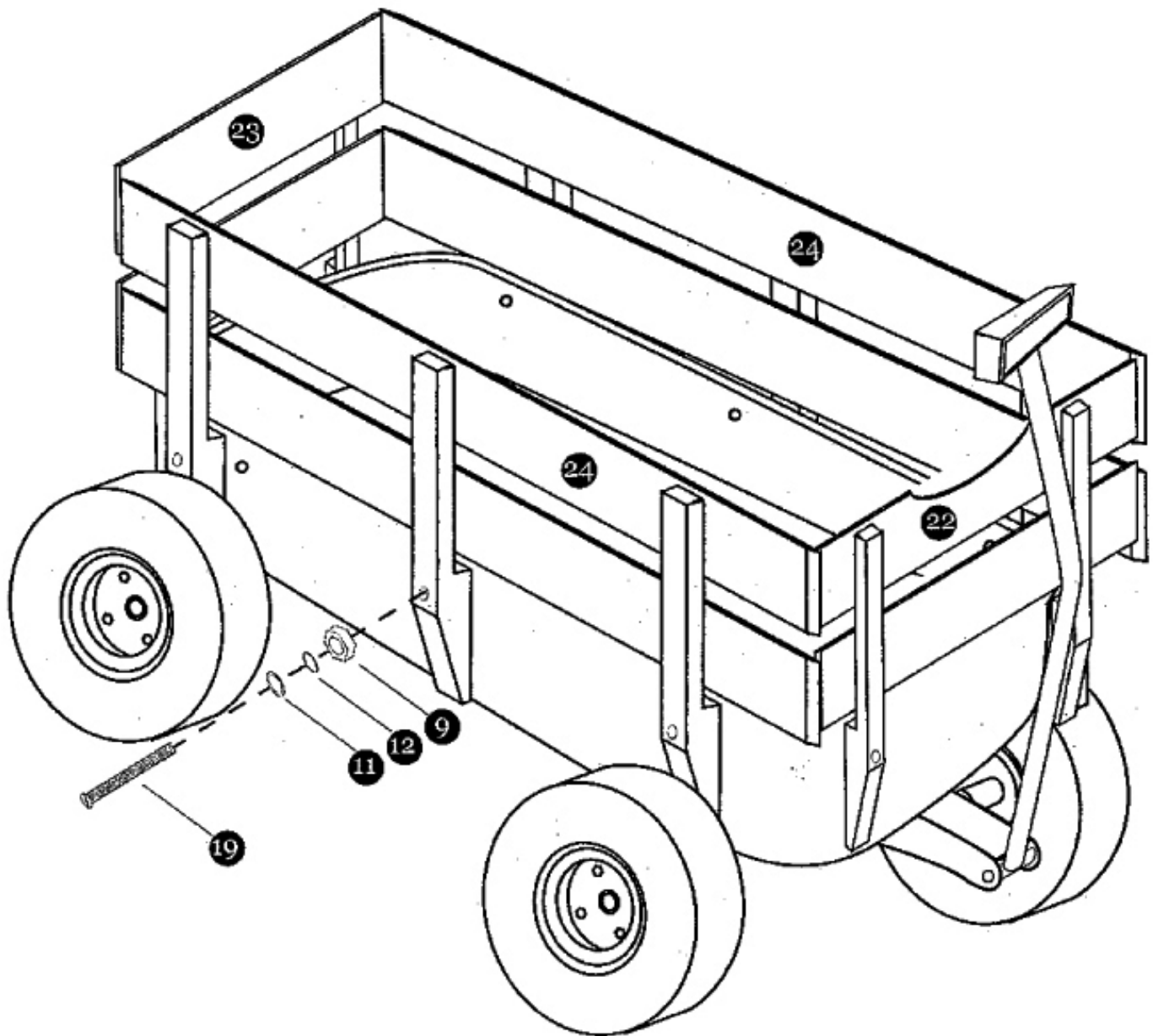


Step 6 -

Fence Assembly

Attach front (22), back (23), left and right (24) fences to the bed with 47mm bolts (19), 5mm nuts (9), 6mm washers (11), and 6mm lock washers (12).

Tighten all bolts and nuts securely.



Limited Manufacturer Warranty

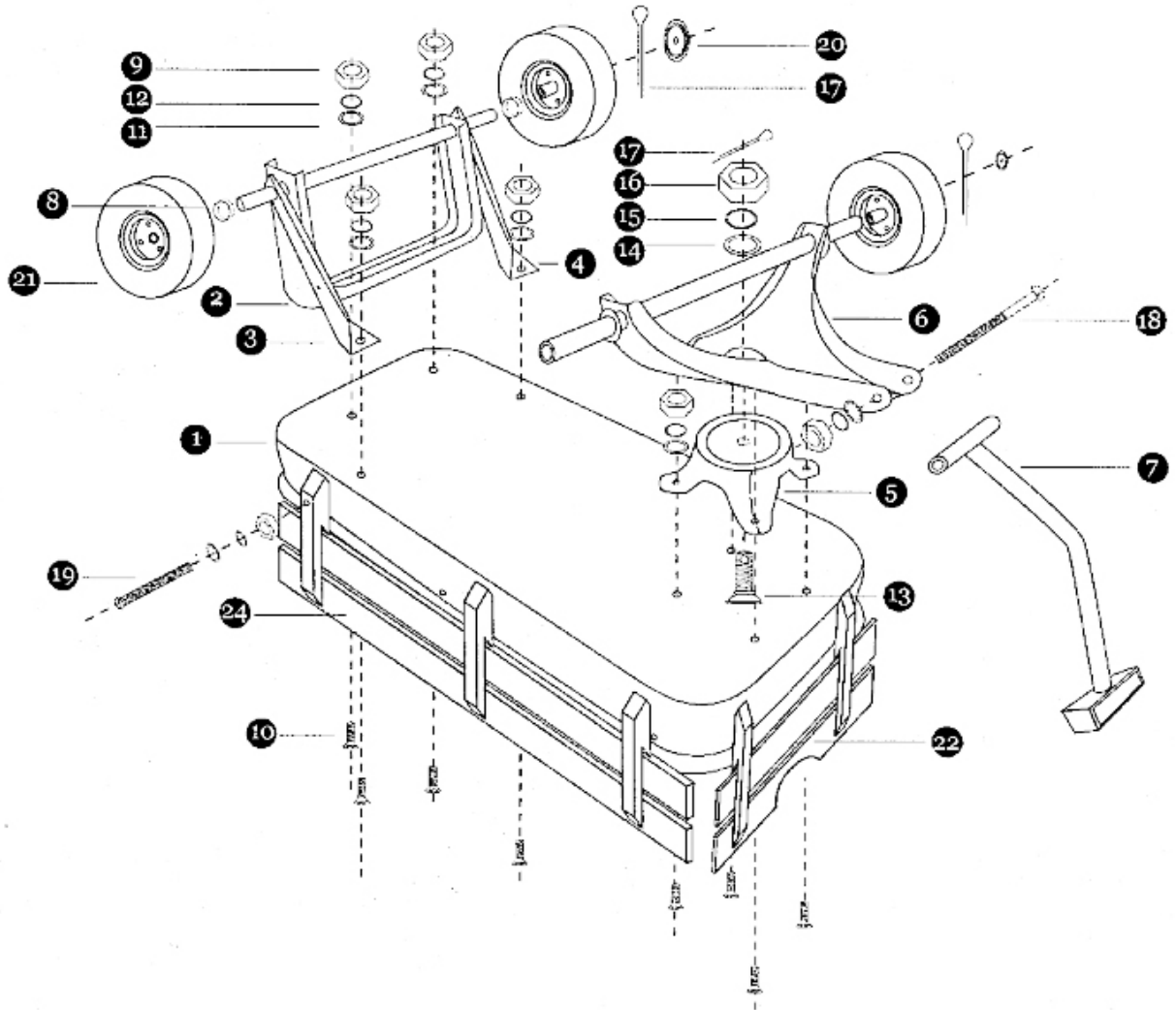
North American Tool Industries (NATI) makes every effort to ensure that this product meets high quality and durability standards. NATI warrants to the original retail consumer a 1-year limited warranty from the date the product was purchased at retail and each product is free from defects in materials. Warranty does not apply to defects due directly or indirectly to misuse, abuse, negligence, or accidents, repairs or alterations, or a lack of maintenance. NATI shall in no event be liable for death, injuries to persons or property, or for incidental, special, or consequential damages arising from the use of our products. To receive service under warranty, the original manufacturer part must be returned for examination by an authorized service center. Shipping and handling charges may apply. If a defect is found, NATI will either repair or replace the product at its discretion.

DO NOT RETURN TO STORE

For Customer Service:

Email feedback@natitools.com or Call 1-800-348-5004

Parts List **52178**



#	Description	Qty.	#	Description	Qty.
1	Wagon Bed	1	13	16mm Bolt	1
2	Rear Axle Support	1	14	10mm Washer	1
3	Left Support Braces	1	15	10mm Lock Washer	1
4	Right Suport Braces	1	16	8mm Nut	1
5	Front Support - 1	1	17	Pins	5
6	Front Support - 2	1	18	74mm Bolt for Handle	1
7	Handle	1	19	47mm Bolts for Fence	10
8	Rings	2	20	Wheel Cover	4
9	5mm Nuts	19	21	Wheels	4
10	25mm Bolts	18	22	Front Fence	1
11	6mm Washers	19	23	Back Fence	1