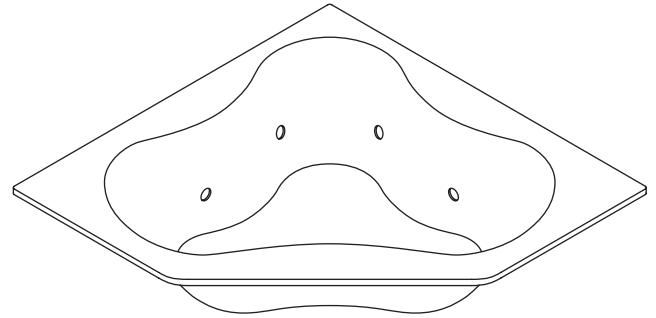


Features

- Acrylic
- 1.25 hp pump with air switch and grounding-type plug-in cord
- 6 individually adjustable multi-directional hydro-massage jets
- In-line heater
- Molded lumbar supports and armrests
- For corner installation
- Optional K-1491 removable bath pillow
- Optional K-1717 ProFlex® 20-minute timer kit
- Drop-in rim style, left-hand pump
- 54" (137.2 cm) x 54" (137.2 cm) x 20-1/2" (52.1 cm)

ACRYLIC BATH WHIRLPOOL WITH HEATER K-1154-HC



Codes/Standards Applicable

Specified model meets or exceeds the following:

- ASME A112.19.7M
- ANSI Z124.1.2
- IAPMO/UPC
- Underwriters Laboratories (UL)

Colors/Finishes

- 0: White
- Other: Refer to Price Book for additional colors/finishes

Accessories

- 0: White
- CP: Polished Chrome
- PB: Vibrant® Polished Brass
- NA: None applicable
- Other: Refer to Price Book for additional colors/finishes

Specified Model

Model	Description	Colors/Finishes	
K-1154-HC	Bath whirlpool, drop-in rim style, left-hand pump	<input type="checkbox"/> 0	<input type="checkbox"/> Other_____
Recommended Accessories			
K-7213	Cable drain with PVC tubing	<input type="checkbox"/> CP	<input type="checkbox"/> PB
K-7214	Cable drain without PVC tubing	<input type="checkbox"/> CP	<input type="checkbox"/> PB
K-11677	Trip lever drain	<input type="checkbox"/> CP	<input type="checkbox"/> PB

Product Specification

The acrylic bath whirlpool shall be 54" (137.2 cm) in length, 54" (137.2 cm) in width, and 20-1/2" (52.1 cm) in height. Bath whirlpool shall be drop-in rim style, with left-hand pump. Bath whirlpool shall have 6 individually adjustable multi-directional hydro-massage jets, a 1.25 hp pump with air switch and grounding-type plug-in cord, and an in-line heater. Bath whirlpool shall have molded lumbar supports and armrests. Bath whirlpool shall be for corner installation. Bath whirlpool shall have an optional K-1491 removable pillow, an optional K-1717 20-minute timer kit, and an optional K-1601 footstop. Bath whirlpool shall be Kohler Model K-1154-HC-_____.

PROFLEX® 5454

Optional Accessories

K-1491	Pillow	<input type="checkbox"/> 0	<input type="checkbox"/> Other_____
K-1601	Footstop	<input type="checkbox"/> 0	<input type="checkbox"/> Other_____
K-1717	20-minute timer kit		<input type="checkbox"/> NA

Technical Information

Fixture*:	
Basin area:	
Bathing well	44" (111.8 cm) x 36" (91.4 cm)
Top area	56" (142.2 cm) x 43" (109.2 cm)
To overflow:	
Water depth	15" (38.1 cm)
Capacity	76 gal (287.7 L)
Weight	70 lbs (31.8 kg)
* Approximate measurements for comparison only.	

Pump:	Hp	V	Hz	A
1-speed	1.25	120	60	7.5
Heater:	kW	V	Hz	A
	1.5	120	60	12.5

Required Electrical Service

Two dedicated circuits required, each protected with Class A Ground-Fault Circuit-Interrupter (GFCI):

Pump/control	120 V, 15 A, 60 Hz
Heater:	120 V, 15 A, 60 Hz

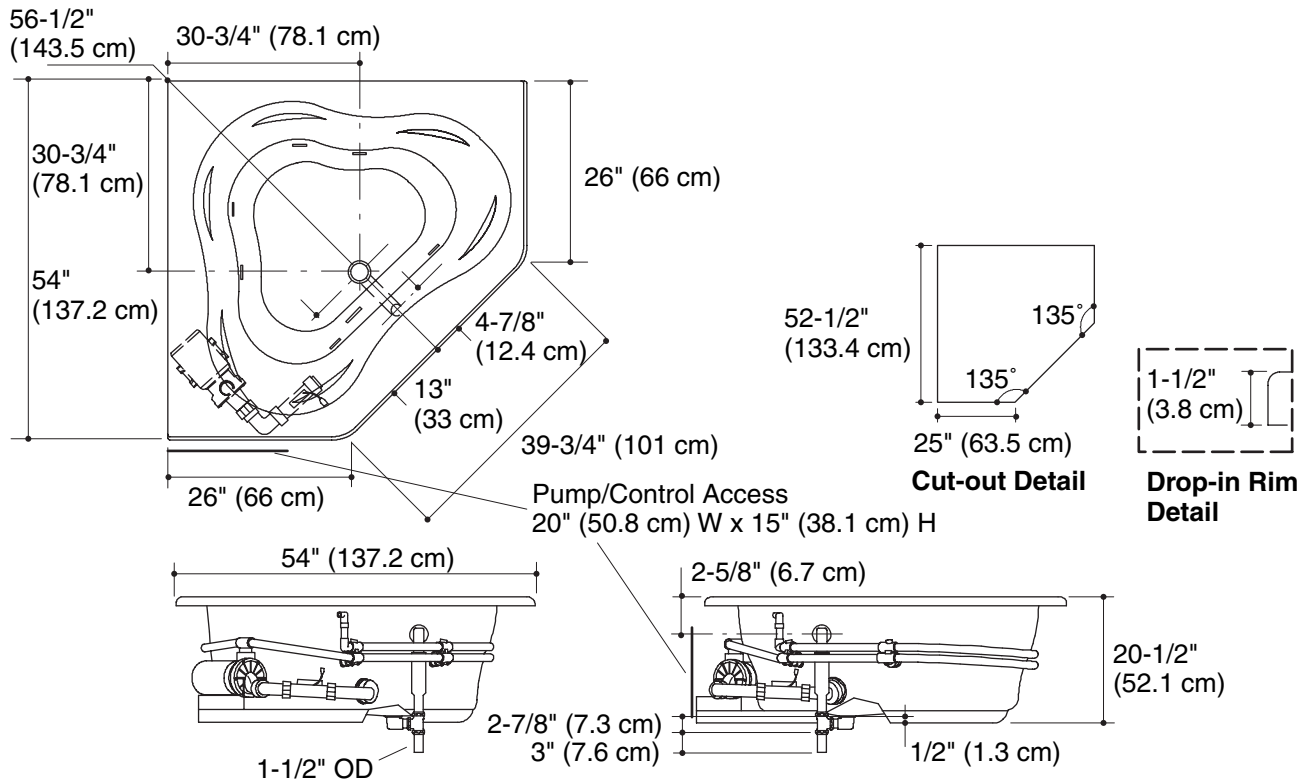
Locate the outlet behind the whirlpool and within 24" (61 cm) of the pump.

Installation Notes

Install this product according to the installation guide.

Floor support under whirlpool must provide for a minimum of 36 lbs/square foot (176 kg/square meter) loading.

No change in measurements if connected with drain illustrated. (K-11677)



Product Diagram