



Specifications

Farrington 8 in. Widespread Two-Handle Lavatory Faucet

FEATURES

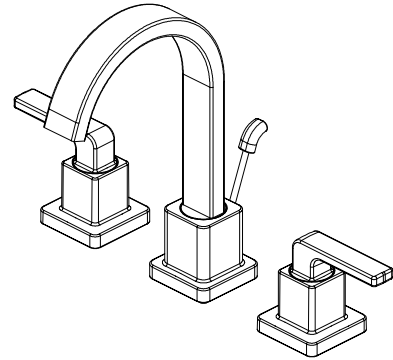
- Requires 3-Hole Sink with 8" On-Center
- 1/2" IPS Connections
- Max Flow Rate: 1.2 gpm (4.5 L/min) at 60 psi
- Max Countertop Thickness: 1 11/16"
- Spout Reach: 5 1/8"
- Spout Height: 6 9/32"
- 1/4 Turn Ceramic Valve for Lifetime Drip-Free Operation
- With ClickInstall™ Drain Assembly
- With Zinc Lever Handle

CODE COMPLIANCE

- IAPMO Certified: ASME A112.18.1/CSA B125.1
- NSF 61 Section 9
- NSF 372
- Calgreen Certified
- EPA WaterSense Certified
- Meets AB 1953 Lead Standard
- ADA Compliant

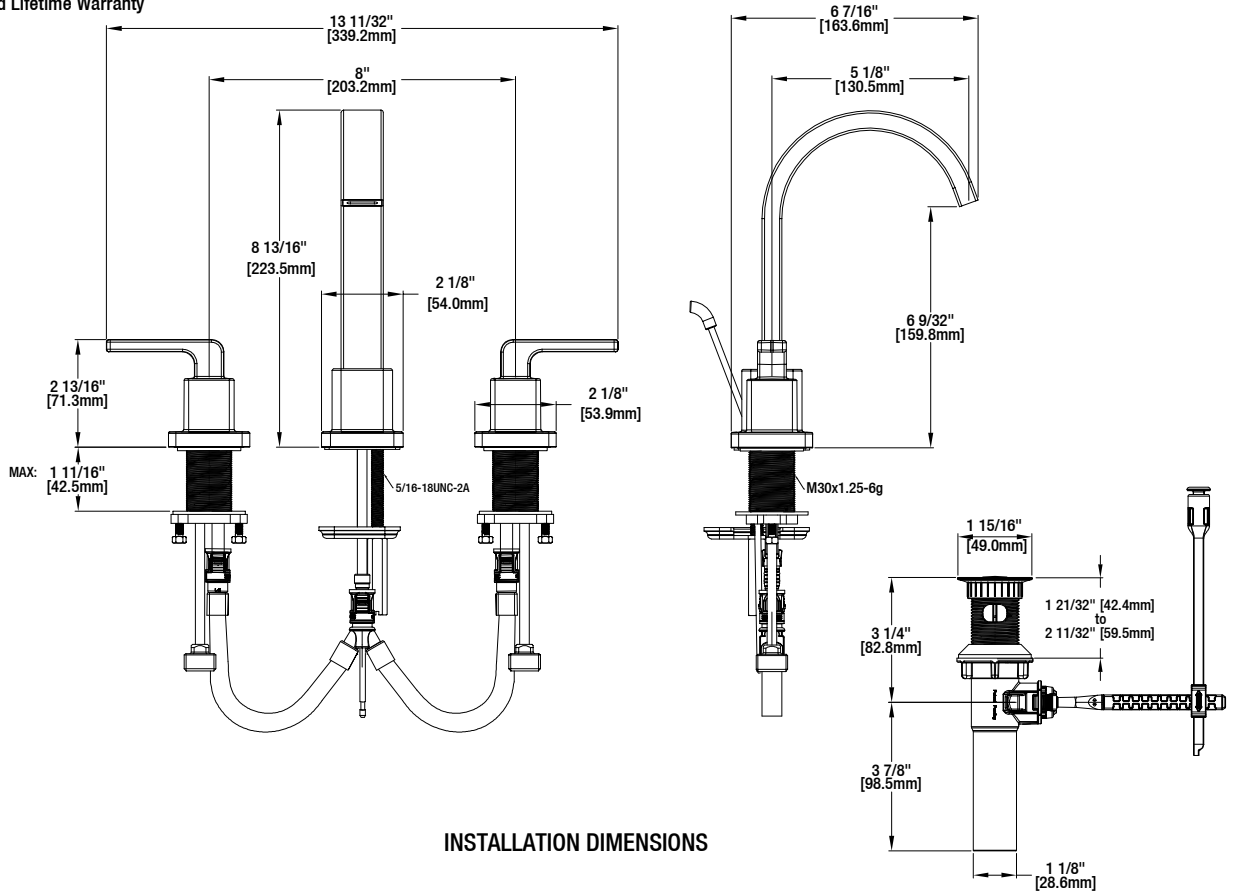


MODEL	SKU #	FINISH
HD67751W-6101	303672282	Chrome
HD67751W-6104	303672278	Brushed Nickel
HD67751W-6110H	305351368	Matte Black



WARRANTY

- Limited Lifetime Warranty



Glacier Bay reserves the right to make changes in specifications and materials and to change and discontinue models, both without notice or obligation. Dimensions are for reference only.