

**BLACK & DECKER** Home

# WIDE-MOUTH FOOD PROCESSOR PROCESADOR DE ALIMENTOS DE BOCA ANCHA

## Customer Care Line:

USA/Canada  
1-800-231-9786

Mexico  
01-714-2500

**Accessories/Parts**  
(USA / Canada)

**Accesorios/Partes**  
(EE.UU / Canadá)

1-800-738-0245

For **online customer service**  
and to **register** your product, go to  
**[www.prodprotect.com/applica](http://www.prodprotect.com/applica)**



## MODELS/MODELOS

- FP2500
- FP2500B
- FP2500S

# IMPORTANT SAFEGUARDS

When using electrical appliances, basic safety precautions should always be followed, including the following:

- Read all instructions.
- To protect against risk of electrical shock do not immerse cord, plugs or appliance in water or other liquid.
- Close supervision is necessary when any appliance is used by or near children.
- Unplug from outlet when not in use, before putting on or taking off parts and before cleaning.
- Avoid contacting moving parts.
- Do not operate any appliance with a damaged cord or plug or after the appliance malfunctions, or is dropped damaged in any manner. Return appliance to the nearest authorized service facility for examination, repair or electrical or mechanical adjustment. Or, call the appropriate toll-free number on the cover of this manual.
- The use of attachments not recommended or sold by the manufacturer may cause fire, electric shock or injury.
- Do not use outdoors.
- Do not let cord hang over edge of table or counter.
- Keep hands and utensils away from moving blades or discs while processing food to reduce the risk of severe injury to persons or damage to the food processor. A scraper may be used, but must be used only when the food processor is not running.
- Blades are sharp. Handle carefully.
- To reduce the risk of injury, never place cutting blade or discs on base without first putting bowl properly in place.
- Be certain cover is securely locked in place before operating appliance.
- Never feed food by hand. Always use food pusher.
- Do not attempt to defeat the cover interlock mechanism.

## SAVE THESE INSTRUCTIONS.

**This product is for household use only.**

**Note:** The maximum rating is based on the chopping blade. Other attachments may draw significantly less power.

### POLARIZED PLUG

This appliance has a polarized plug (one blade is wider than the other). To reduce the risk of electric shock, this plug is intended to fit into a polarized outlet only one way. If the plug does not fit fully into the outlet, reverse the plug. If it still does not fit, contact a qualified electrician. Do not attempt to modify the plug in any way.

### TAMPER-RESISTANT SCREW

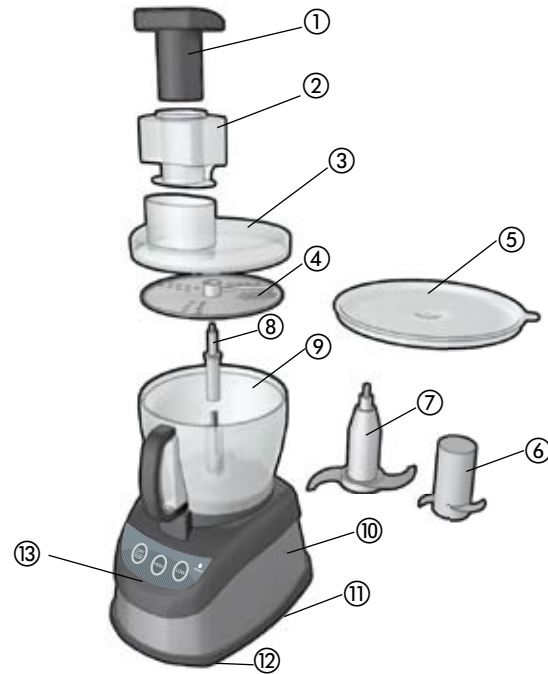
**Warning: This appliance is equipped with a tamper-resistant screw to prevent removal of the outer cover. To reduce the risk of fire or electric shock, do not attempt to remove the outer cover. There are no user-serviceable parts inside. Repair should be done only by authorized service personnel.**

### ELECTRICAL CORD

The cord of this appliance was selected to reduce the possibility of tangling in or tripping over a longer cord. If more length is needed, use an extension cord rated no less than 15 amperes. (For 220 volts rated products, use an extension cord rated no less than 6 amperes.) When using an extension cord, do not let it drape over the working area or dangle where someone could accidentally trip over it. Handle cord carefully for longer life; avoid jerking or straining it at outlet and appliance connections.

**Note:** If the power supply cord is damaged, it should be replaced by qualified personnel; in Latin America, by an authorized service center.

Product may vary slightly from what is illustrated.



A

- † 1. Food pusher (Part # 07234DZ118 [white] / 07234EZB [black])
- † 2. Wide-mouth feed chute (Part # 77788)
- † 3. 10-cup processing workbowl cover (Part # 77786)
- † 4. Reversible slice/shred disc (Part # 77792-1)
- † 5. Storage lid (Model FP2500S) (Part # 07239GZ4)
- † 6. Dough blade (Part # 77840)
- † 7. Large, stainless steel chopping blade (Part # 77793)
- † 8. Disc stem (Part # 77789)
- † 9. 10-cup processing workbowl  
(Part # 77841 (Only for Models FP2500B/FP2500S)  
Part # 77842 (Only for Model FP2500))
- 10. Base
- 11. Cord wrap (under base)
- † 12. Non-skid suction feet (Part # 09183-1)
- 13. Controls

Note: † indicates consumer replaceable/removable parts

## CONTROLS



B

The controls are located on the front of the base (B). Press PULSE, HIGH or LOW to select a function (see directions below).

### OFF/PULSE

- Processor should be stored in OFF position and unplugged when not in use.
- Use PULSE for short processing tasks. This lets you control the size and uniformity of foods being chopped.
- The OFF/PULSE button must be pressed and held for the appliance to operate in PULSE mode. When released, the appliance will stop.
- The motor of the processor will run as long as the OFF/PULSE button is held down. Press the button and then release to allow the blades to stop running and the food to fall to the bottom of the workbowl.
- Pulsing gives better control when chopping, mincing, mixing and blending foods. You can control the size of the foods, from coarse to fine.

### HIGH and LOW

When either speed is selected, the processor will run continuously until the OFF/PULSE button is pressed.

## How to Use

This product is for household use only.

- Remove all packing material and any stickers from the product.
- Please go to [www.prodprotect.com/applica](http://www.prodprotect.com/applica) to register your warranty.

**Important: Handle chopping blades and slice/shred disc carefully. They are very sharp.**

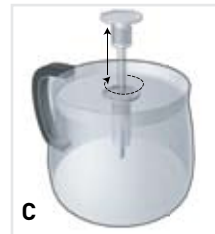
- Wash all removable parts as instructed in CARE AND CLEANING section of this manual.
- Select a level, dry countertop where the appliance is to be used, allowing air space on all sides to provide proper ventilation for the motor.

### ASSEMBLING THE PROCESSOR

#### How to Insert and Remove the Center Post:

The center posts of both bowls are removable:


1. Turn the bowl upside down.
2. Grasp the clear outer tabs and turn the center post clockwise until the lower tabs are free. Lift the post out (C).
3. To return to its original position, place center post into smaller opening in bottom of workbowl and turn counterclockwise until tabs snap into place.




C

## HOW TO LOCK THE LARGE WORKBOWL IN POSITION



1. Attach center post to workbowl. Place the workbowl on the base with handle turned to the right of the locking mechanism **(D)** over the unlock symbol .



2. Hold handle and rotate workbowl clockwise toward the lock symbol  until it clicks firmly into place **(E)**. Be sure to lock the workbowl in place before attaching the blades and cover.

## HOW TO LOCK THE COVER



1. Place cover over workbowl with the small latch to the right of the workbowl's handle **(F)**.
2. Hold feed chute of workbowl cover and rotate cover clockwise until cover locks into place.

**Important: For your protection this appliance has an interlock system. The processor will not operate unless the workbowl, cover and wide-mouth feed chute are properly locked in place.**

3. If using the large workbowl, place the wide-mouth feed chute on top of the cover with the small tab to the right of the workbowl's handle. Turn clockwise until it clicks into position over the handle.
4. Insert the food pusher into the central tube of the wide-mouth feed chute. Turn clockwise to lock in place. The pusher is used to guide foods through the feed chute and can be removed when adding liquid or additional foods while the processor is running. To remove, turn counterclockwise.

## HOW TO CHOP IN THE LARGE OR SMALL WORKBOWL

The chopping blade is used to coarsely or finely chop, mince, mix and puree foods to a smooth consistency.



1. Lock workbowl into position (see **Illustrations D and E**).
2. Hold chopping blade by center shaft and insert onto center post **(G)**.

**Caution: The blade attachments are very sharp. Use caution when handling and storing.**

3. Place food in workbowl.

4. Place cover on workbowl and lock into place by rotating clockwise (see **Illustration F**).


5. Place the wide-mouth feed chute and food pusher in place.

**Important: Never use your fingers to direct food through the chute.**

6. Select your desired speed (PULSE, LOW or HIGH).

**Note:** Process foods for no more than a few seconds at a time. Pulsing produces excellent results and offers greater control.

**Important: Be sure chopping blade has completely stopped spinning before removing cover from processor.**

7. Press the OFF/PULSE button and allow blades to stop revolving before removing cover. Twist cover toward  to remove.
8. Unlock workbowl by turning it counterclockwise and lift off base.

**Note:** Remove bowl from appliance before removing blade to prevent food from leaking through the center opening of the bowl.

9. Carefully remove chopping blade.

10. Unplug appliance when not in use.

## Helpful Tips for Chopping and Blending:

- Watch carefully to avoid over-processing foods.
- The PULSE button offers the best control.
- For best results, process foods that are about the same size.
- Do not overload the bowl.
- Never walk away from the processor while it is on.
- You may use hot but not boiling liquids.
- Do not process more 3 cups of liquid in the large workbowl at any given time.
- To process meat, use no more than 2 cups of ¾-inch cubes. Process using PULSE in 5 second intervals.
- Insert a funnel into the feed chute when adding ingredients such as, oil, flour and sugar.

## HOW TO SLICE OR SHRED IN LARGE WORKBOWL

1. Lock workbowl into position (see **Illustrations D and E**).
2. Place disc stem onto center post in workbowl.
3. Carefully place slice/shred disc on stem with appropriate side up (depending on work to be done).

**Caution: The blade attachments are very sharp. Use caution when handling and storing.**


4. Place cover on workbowl and lock into place by rotating cover clockwise (see **Illustration F**).

5. Fill feed chute with food. Select regular opening or wide-mouth, depending upon size of food to be processed. Position food pusher over food **(H or Ha)**.



6. Select PULSE, LOW or HIGH; press firmly on food pusher to guide food through processor, but do not force it.

**Note:** Heavy pressure on the pusher does not speed the work; use the pusher only as a guide. Let the processor do the work.

7. When finished, press OFF/PULSE and wait for disc to stop rotating before removing cover. Twist cover toward  to remove.
8. Carefully remove slice/shred disc. Unlock workbowl by turning it counterclockwise and lifting it off the base.
9. Unplug appliance when not in use.

#### Helpful Tips When Slicing and Shredding:

- Before slicing round fruits and vegetables in the processor, cut a thin slice from the bottom of the food to make it flat.
- Place food cut side down in feed chute.
- Remove seeds and pits before processing.
- Select foods that are firm and not overripe.
- Remove the core from hard vegetables, such as cabbage.
- When slicing thinner vegetables, cut them just short of the length of the feed chute and stand them vertically in feed chute so they are solidly packed and cannot turn or tilt.
- Shred hard cheeses at room temperature.
- Chill soft and semi-hard cheeses before shredding.
- After food has been processed, remove the cover and invert on countertop. Remove the slice/shred disc before removing the workbowl from the processor. Place the disc on top of the inverted workbowl cover.

#### USING THE DOUGH BLADE

This blade makes preparing dough and pastry efficient and time-saving.

1. Use this blade in the large workbowl. This blade does not extend to the outside rim of the workbowl, so it cannot incorporate flour when very small amounts of flour are being processed.

- Note:** Use the metal blade for mixtures that contain less than 2 cups of flour.
2. Push dough blade down as far as it will go into workbowl.
  3. Insert all the dry ingredients into the workbowl.
  4. Place cover on workbowl. Add wide-mouth feed chute and food pusher. Process to blend.
  5. Add liquids through the small feed chute while machine is running.

## Care and Cleaning

This product contains no user serviceable parts. Refer service to qualified service personnel.

**Note:** Do not attempt to sharpen the cutting edges of the blades or discs. They are permanently sharpened at the factory and will be ruined if sharpened.

#### CLEANING

**Note:** Before cleaning, be sure unit is turned off and cord is unplugged.

- Completely disassemble processor parts before washing.
- Rinse parts immediately after processing for easy cleanup.
- Wipe base and feet with a damp cloth and dry thoroughly. Stubborn spots can be removed by rubbing with a damp cloth and a mild, nonabrasive cleaner. Do not immerse base in liquid.
- All removable parts can be washed by hand or in a dishwasher. Hand washing of plastic parts will help to maintain the food processor's appearance.
- If washing by hand, fill workbowl with hot soapy water and rapidly raise and lower the cutting blade and discs up and down on the center shaft.
- If washing in a dishwasher, place removable parts on top rack only – not in or near utensil basket.
- Some staining of parts may occur. If so, make a paste of 2 tablespoons of baking soda and 1 tablespoon of water. Apply to stains and let stand overnight. Rinse and dry.
- Do not use rough scouring pads or cleansers on any plastic or metal parts to clean.
- Do not allow blades or discs to soak in water for long periods of time.
- Remember to clean the internal shaft of the chopping blade; use a baby bottle brush to remove any clogged food particles.
- If you are having trouble closing the cover over the workbowl, apply a small amount of vegetable oil to the rim of the cover and workbowl. This should make the pieces work smoother when attaching the cover to the bowl.

# RECIPES

## OLIVE TAPENADE

- ½ cup pitted Kalamata olives
- ¼ cup Sicilian green olives
- 4 anchovy fillets
- 1 large clove garlic, minced
- 2 tbsp. capers
- ¼ cup tuna
- 1 tbsp. lemon juice
- 1 cup packed basil leaves
- ¼ cup mayonnaise
- ¼ cup olive oil

Combine first 8 ingredients in workbowl of **Black & Decker® Food Processor** fitted with cutting blade. Add mayo and blend. Drizzle oil down small feed chute. Process until smooth.

Serve immediately with veggies or cover and refrigerate until ready to serve. For the most flavor, allow mixture to stand until it comes to room temperature.

Serve on crisp toast rounds or toasted baguettes.

Makes about 1½ cups.

## AU GRATIN POTATOES

- 1½ lbs. baking potatoes (about 3)
- 1 large onion
- 6 ounces Swiss cheese
- 1 slice dry French, Italian or white bread
- ½ tsp. salt
- ¼ tsp. garlic pepper
- ¼ cup melted butter or margarine

Using slicing blade of **Black & Decker® Food Processor**, slice potatoes and then onion into large workbowl; set aside.

Using shredding blade, shred cheese; set aside.

In small workbowl fitted with cutting blade, make bread crumbs using French bread; set aside.

Season potatoes with salt and garlic pepper. Alternate layers of potatoes, onions and 1 cup cheese in buttered, 1½-quart, shallow baking dish. Drizzle evenly with melted butter. Top with reserved ½ cup cheese and bread crumbs.

Cover with foil and bake in preheated **Black & Decker® Toaster Oven** at 425°F for 30 minutes. Remove foil and bake 15 minutes longer or until golden and potatoes are tender.

Great accompaniment or grilled steak or roast beef.

Makes 4 to 6 servings.

## BASIC WHITE BREAD

- ¾ cup water
- ½ cup milk
- 3 tbsp. butter or margarine
- 1¼ tsp. active dry yeast
- 3½ to 3¾ cups unsifted all-purpose flour
- 1 tbsp. sugar
- 1 tsp. salt

In small saucepan, combine water, milk and butter. Heat to lukewarm (105° to 115°F). Stir in yeast to dissolve. Let rest 5 minutes.

Position dough blade in workbowl of **Black & Decker® Food Processor**. Add 3 cups flour, sugar and salt. With processor running, gradually add yeast mixture down feed chute. Add additional flour to make a soft dough. Continue processing dough for 1 to 1½ minutes.

Remove workbowl from processor; remove blade. Turn dough out onto lightly floured work surface. Knead several minutes until smooth and elastic. Shape into a ball and place in greased bowl, turning to grease top.

Cover and let rise at room temperature until doubled in bulk, about 1 hour.

Punch dough down and shape into a loaf. Place in greased 9" x 5" x 3" (23 x 13 x 8 cm) loaf pan. Cover and let rise at room temperature until doubled in bulk, about 1 hour.

Bake at 375°F (191°C) for 35 minutes or until loaf is deep golden brown and sounds hollow when tapped. Remove from pan and cool on wire rack.

Yield: 1 loaf

**Note:** This recipe should not be doubled in the food processor.

## PESTO AND PASTA

- 1 lb. bow tie or penne pasta
- 4 oz. Parmesan or Pecorino cheese
- 2 cups loosely packed basil leaves
- ½ cup loosely packed flat leaf parsley
- ½ cup pine nuts
- 2 medium cloves garlic, peeled
- ¼ tsp. salt
- ⅛ tsp. pepper
- ½ cup extra virgin olive oil

Cook pasta in salted boiling water to desired texture.

Meanwhile, in small workbowl of **Black & Decker® Food Processor** fitted with cutting blade, finely chop cheese. Remove ½ cup cheese and set aside. Add basil, parsley, pine nuts, garlic, salt and pepper. Process until fairly smooth. Add oil and process until smooth.

Drain pasta and place in serving bowl. Add pesto and toss to blend well.

Garnish with reserved Parmesan cheese.

Makes 6 to 8 servings.

**ASIAN COLESLAW**

- 1 small head cabbage
- 1 small purple onion
- 1 medium red pepper, cored and seeded
- ½ cup toasted sliced almonds
- ¼ cup rice wine vinegar
- 2 tbsp. fresh lime juice
- 2 tsp. low sodium soy sauce
- 1 tsp. sesame oil
- 1 tsp grated fresh ginger
- 1 tsp. granulated sugar
- 2 tsp. toasted sesame seeds
- 1 tsp. black sesame seeds

Using shredding side of the slice/shred disc of the **Black & Decker® Food Processor**, shred cabbage into large workbowl; set aside in large bowl.

Using slicing side of the slice/shred disc, slice onion and pepper; add to cabbage. Add almonds and toss to blend.

In small bowl or measuring cup, whisk together vinegar, lime juice and soy sauce. Add remaining ingredients and blend well. Pour over cabbage mixture and toss to blend.

Cover and refrigerate until ready to serve or cover and let stand about 15 minutes to allow flavors to blend.

Great accompaniment for grilled chicken or fish.

Makes about 7 cups.

**ARUGULA PESTO PIZZA**

- ½ recipe for pizza dough (see below)
- ⅓ cup arugula pesto (see below)
- 8 oz. mozzarella cheese
- 3 oz. Parmesan cheese
- 4 plum tomatoes
- 2¼ cup loosely packed julienne cut basil leaves
- Salt and pepper

Place ball of dough on lightly floured board; cover with plastic wrap and let rest 10 minutes.

Meanwhile, shred cheese into large workbowl of **Black & Decker® Food Processor**. Remove cheese to sheet of waxed paper. Reverse slice/shred blade and slice tomatoes.

Use small workbowl and chop Parmesan cheese until very fine.

Roll out dough to 12-inch circle. Transfer to 14-inch, lightly greased and dusted, nonstick pizza pan or pizza peel\* dusted lightly with cornmeal. Shape pizza into 14-inch circle; lift edge and pinch to form a lip. Let rest about 5 minutes.

Spread pesto evenly on prepared crust leaving about ½-inch border. Sprinkle mozzarella cheese evenly over pesto. Arrange tomato slices over cheese. Sprinkle with Parmesan cheese and basil. Season to taste with salt and pepper.

Bake in preheated 450°F until crust is browned and cheese is golden, about 12 minutes.

Makes one, 14-inch pizza.

\* If using a pizza stone, preheat stone for 45 minutes. Slide the pizza off the pizza peel onto the preheated stone.

**SPEEDY PROCESSOR PIZZA DOUGH**

- 1¼ tsp. active dry yeast
  - 1⅓ cups warm water (105° - 115°F)
  - ¼ tsp. sugar
  - 3½ to 3¾ cups unsifted all-purpose flour
  - 1 tsp. salt
  - 2 tbsp. olive oil
- Sprinkle yeast over water; add sugar and let stand until yeast is dissolved (about 5 minutes).

Position dough blade in large workbowl of **Black & Decker® Food Processor**. Add 3 cups flour, salt and olive oil. With processor running, gradually add yeast mixture down feed chute. Add additional flour to make a soft dough. Continue processing dough for 1 to 1½ minutes. Stop and let dough rest for 10 minutes.

On lightly floured board, knead several times and form into ball. Place in greased bowl, turning to grease top.

Cover and let rise at room temperature until doubled in bulk, about 1 hour. Punch dough down. For thin crust pizza, divide dough in half. Roll out on lightly floured board to about 14-inch circle. Transfer to pizza pan or baking stone sprinkled with cornmeal. Lift edges to form a crust around edge of pan.

Spoon desired sauce onto crust and spread evenly. Top with desired toppings. Bake at 450°F (232°C) for 12 minutes, or until crust is golden and filling is hot.

Yield: 2 pizza crusts

**ARUGULA PESTO**

- 2 cups packed fresh arugula leaves
- 1 cup packed basil leaves
- ½ cup packed Italian parsley leaves
- ½ cup grated Parmesan cheese
- ½ cup pine nuts (pignoli)
- 2 large cloves garlic, minced
- 1 teaspoon grated lemon peel
- ¾ cup olive oil

Place all ingredients, except oil in large bowl **Black & Decker® Food Processor** fitted with cutting blade. Cover and process on HIGH until smooth, about 1 minute. Stop occasionally to scrape down sides of bowl. Remove pusher from feed chute and drizzle oil in an even stream into processor. Continue to process until mixture is smooth.

Makes about 1½ cups.

**Note:** If desired, substitute 2 cups packed baby spinach leaves for arugula.

**PASTRY CRUST**

- 1 cup unsifted all-purpose flour
- ½ tsp. salt
- ¼ cup shortening
- 2 tbs. cold butter or margarine, cut into small pieces
- 2 to 4 tbs. ice water

Position metal blade in large workbowl bowl of **Black & Decker® Food Processor**. Add flour, salt, shortening and butter. PULSE 3 or 4 times, for about 3 to 4 seconds each, until mixture is crumbly.

With processor running, drizzle in just enough water through the small feed chute until mixture pulls away from sides of bowl and forms a loose ball.

Remove workbowl from processor; remove blade. Turn dough out onto lightly floured work surface. Gently shape dough into ball. Wrap in plastic wrap and refrigerate for at least 20 minutes. (If storing longer, allow dough to rest on work surface for 15 minutes before rolling out.) Roll out to a circle 2 inches larger than the inverted pie plate to be used.

Transfer pastry to pie plate. To bake empty, pierce generously with fork. Bake at 425°F (218°C) until golden, about 12 minutes.

Makes one, 9-inch (23 cm) pie crust.

**TROUBLESHOOTING**

PROBLEM	POSSIBLE CAUSE	SOLUTION
Food is unevenly chopped.	Workbowl is overfilled. You may be running the bowl continuously instead of on PULSE. Food may be cut in random sizes.	Smaller amounts will process more evenly. Use the PULSE button in 5-second or less increments. Allow the blades to stop completely before pressing the PULSE button again. Cut food in same size pieces before placing in processor.
Liquid leaks from the bottom of the workbowl.	Too much liquid in the workbowl.	Process smaller amounts. When processing liquids, do not add more than 3 cups to workbowl. Do not remove the blade before removing workbowl from processor when processing liquids.
Sliced foods are uneven and slanted.	The feed chute has not been well packed or uneven pressure has been applied to the food pusher during processing.	Cut pieces in even lengths, just a little shorter than the length of the feed chute. Pack the chute carefully and maintain even pressure on the food pusher as the food is being processed.
Foods being sliced or shredded fill up on one side of the bowl.	This is normal.	Stop processing occasionally and either even out the food in the workbowl or move it to another bowl. When food accumulates close to the disc, empty the workbowl before continuing.



PROBLEM	POSSIBLE CAUSE	SOLUTION
Some pieces of food remain on top of the slice/shred disc.	This is normal.	Slice or shred those pieces by hand or save for another use, like soups that will be pureed.
Soft cheese collects on top of the slice/shred disc.	The cheese was not cold enough. The pressure exerted on the pusher was too great.	Be sure soft cheeses are well chilled or place in freezer until knife inserted into cheese penetrates about ½-inch. Remember food pusher is to be used as a guide; never exert hard pressure on the food pusher.

## NEED HELP?

For service, repair or any questions regarding your appliance, call the appropriate 800 number on cover of this book. Please **DO NOT** return the product to the place of purchase. Also, please **DO NOT** mail product back to manufacturer, nor bring it to a service center. You may also want to consult the website listed on the cover of this manual.

### Two-Year Limited Warranty

**(Applies only in the United States and Canada)**

#### What does it cover?

- Any defect in material or workmanship provided; however, Applicia's liability will not exceed the purchase price of product.

#### For how long?

- Two years after date of purchase.

#### What will we do to help you?

- Provide you with a reasonably similar replacement product that is either new or factory refurbished.

#### How do you get service?


- Save your receipt as proof of date of sale.
- Visit the online service website at [www.prodprotect.com/applica](http://www.prodprotect.com/applica), or call toll-free 1-800-231-9786, for general warranty service.
- If you need parts or accessories, please call 1-800-738-0245.

#### What does your warranty not cover?

- Damage from commercial use
- Damage from misuse, abuse or neglect
- Products that have been modified in any way
- Products used or serviced outside the country of purchase
- Glass parts and other accessory items that are packed with the unit
- Shipping and handling costs associated with the replacement of the unit
- Consequential or incidental damages (Please note, however, that some states do not allow the exclusion or limitation of consequential or incidental damages, so this limitation may not apply to you.)

#### How does state law relate to this warranty?

- This warranty gives you specific legal rights. You may also have other rights that vary from state to state or province to province.

 **BLACK & DECKER** is a trademark of The Black & Decker Corporation, Towson, Maryland, USA

Made in People's Republic of China  
Printed in People's Republic of China

Por favor lea este instructivo antes de usar el producto.

# INSTRUCCIONES IMPORTANTES DE SEGURIDAD

Cuando se usan aparatos electricos, siempre se deben respetar las siguientes medidas basicas de seguridad:

- Por favor lea todas las instrucciones.
- A fin de protegerse contra el riesgo de un choque electrico, no sumerja el cable, los enchufes ni el aparato en agua ni en ningun otro liquido.
- Todo aparato electrico usado en la presencia de los ninos o por ellos mismos requiere la supervision de un adulto.
- Desconecte el aparato del tomacorriente cuando no este en uso, antes de instalarle o retirarle piezas y antes de limpiarlo.
- Evite el contacto con las piezas moviles.
- No use ningun aparato electrico que tenga el cable o el enchufe averiado, que presente un problema de funcionamiento o que este danado. Acuda a un centro de servicio autorizado para que lo examinen, reparen o ajusten o llame gratis al numero correspondiente en la cubierta de este manual.
- El uso de accesorios no recomendados por el fabricante del aparato puede ocasionar incendio, choque electrico o lesiones.
- No use este aparato a la intemperie.
- No permita que el cable cuelgue del borde de la mesa o del mostrador.
- Para reducir el riesgo de lesiones severas a las personas o dano al procesador de alimentos, mantenga las manos y utensilios alejados de las cuchillas o discos mientras el aparato esta en uso. Se puede usar un raspador siempre y cuando el procesador no este en funcionamiento.
- Las cuchillas tienen filo. Manejelas con cuidado.
- Para reducir el riesgo de lesiones, nunca instale la cuchilla de cortar ni los discos en la base sin antes colocar el recipiente debidamente en su lugar.
- Verifique que la tapa este bien asegurada antes de operar el aparato.
- Nunca empuje los alimentos con la mano. Siempre use el empujador de alimentos.
- No trate de anular el mecanismo de enclavamiento de la tapa.

## CONSERVE ESTAS INSTRUCCIONES.

**Este aparato eléctrico es para uso doméstico únicamente.**

**Nota:** La calificación eléctrica es basada en la cuchilla para picar y otros accesorios pueden extraer menos potencia.

### ENCHUFE POLARIZADO

Este aparato cuenta con un enchufe polarizado (un contacto es más ancho que el otro). A fin de reducir el riesgo de un choque eléctrico, este enchufe encaja en un tomacorriente polarizado en un solo sentido. Si el enchufe no entra en el tomacorriente, inviértalo y si aun así no encaja, consulte con un electricista. Por favor no trate de alterar esta medida de seguridad.

### TORNILLO DE SEGURIDAD

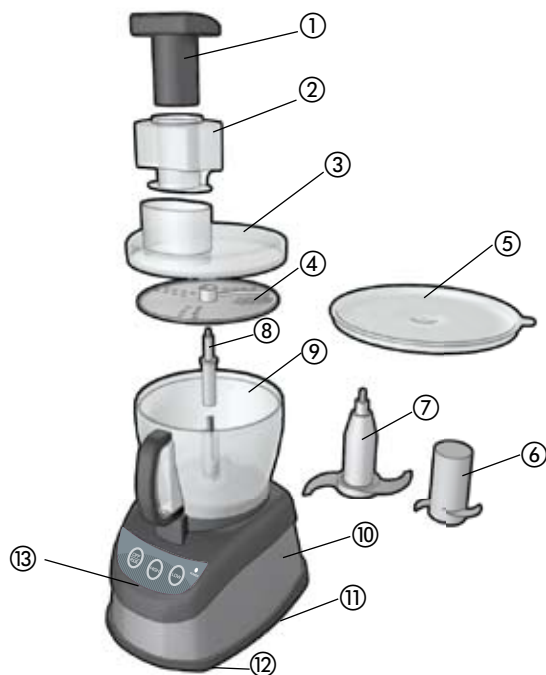
**Advertencia:** Este aparato cuenta con un tornillo de seguridad para evitar la remoción de la cubierta exterior del mismo. A fin de reducir el riesgo de incendio o de choque eléctrico, por favor no trate de remover la cubierta exterior. Este producto no contiene piezas reparables por el consumidor. Toda reparación se debe llevar a cabo únicamente por personal de servicio autorizado.

### CABLE ELÉCTRICO

El cable de este aparato fue escogido a fin de evitar el riesgo de enredarse o de tropezar con un cable de mayor longitud. Cualquier cable de extensión que se deba emplear, deberá estar calificado para nada menor de 15 amperios. (Para aquellos productos de 220 voltios, se deberá utilizar un cable de extensión no menor de 6 amperios.) Cuando utilice un cable de extensión, asegúrese que no interfiera con la superficie de trabajo ni que cuelgue de manera que alguien se pueda tropezar. A fin de aumentar la vida útil del cable, no tire de él ni maltrate las uniones del cable con el enchufe ni con el aparato.

**Nota:** Si el cordón de alimentación esta dañado, en América Latina debe sustituirse por personal calificado o por el centro de servicio autorizado.

Este producto puede variar ligeramente del que aparece ilustrado.



A

1. Empujador de alimentos
2. Conducto de boca amplia de alimentación
3. Tapa del recipiente de 10 tazas para procesar alimentos
4. Disco reversible para rebanar/desmenuzar
5. Tapa para conservar los alimentos
6. Cuchilla para masa
7. Cuchilla grande de acero inoxidable para picar
8. Vástago del disco
9. Recipiente de 10 tazas para procesar alimentos
10. Base
11. Enrollado para el cable (debajo de la base)
12. Patas de succión antideslizantes (debajo de la base)
13. Controles

## CONTROLES



El control está en la parte delantera de la base (**B**). Presione PULSE, HIGH o LOW para escoger una función (ver las instrucciones abajo).

### APAGADO/PULSO (OFF/PULSE)

- El aparato debe de permanecer en la posición de apagado (OFF) y desenchufado siempre que no esté en uso.
- El dispositivo de pulsación se recomienda para las funciones cortas; permite supervisar y controlar mejor la uniformidad y textura de los alimentos.
- Presione y sostenga el botón de apagado/pulso (OFF/PULSE). Cuando se suelta, el aparato para.
- El motor del procesador funciona mientras uno presiona el botón de apagado/pulso (OFF/PULSE). Presione el botón y luego suéltelo para permitir que las cuchillas dejen de girar y los alimentos puedan caer al fondo del recipiente.
- Esta función permite mejor control al cortar, picar, mezclar y combinar alimentos. Usted puede controlar el tamaño de los alimentos, de gruesos a finos.

### VELOCIDAD ALTA Y BAJA (HIGH y LOW)

En estas velocidades, el procesador funciona continuamente hasta que uno ajusta el control a la posición de apagado (OFF).

## Como usar

Este aparato es solamente para uso doméstico.

### PASOS PRELIMINARES

- Retire todo material de empaque y cualquier calcomanía adherida al producto.
- Por favor, visite [www.prodprotect.com/applica](http://www.prodprotect.com/applica) para registrar su garantía.

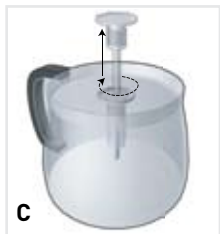
**Importante: En vista del filo agudo que traen la cuchilla de picar y el disco de rebanar/desmenuzar, manéjelos con mucho cuidado.**

- Lave todas las piezas removibles según las instrucciones en la sección de CUIDADO Y LIMPIEZA en este manual.
- Antes de usar este aparato, asegúrese de colocarlo sobre una superficie plana, seca y limpia con suficiente ventilación para el motor.

## ENSAMBLAJE DEL PROCESADOR DE ALIMENTOS

Cómo introducir y quitar el poste central:

Los postes centrales de ambos recipientes son removibles:



1. Invierta el recipiente.
2. Agarre las asas exteriores claras y gire el poste central a la derecha hasta que las asas más bajas queden libres. Saque el poste (C).
3. Para volver a su posición original, coloque el poste central en la apertura más pequeña en el fondo del recipiente y gire hacia la izquierda hasta que las asas encajen en su lugar.

## COMO ASEGURAR EL RECIPIENTE GRANDE EN SU LUGAR



1. Coloque el recipiente sobre el vástago central de la base, con el asa orientada hacia la derecha del mecanismo de cierre (D) sobre del símbolo de abrir



2. Sujete el asa y gire el recipiente hacia el símbolo de cierre hasta encajar firmemente en su lugar (E). Asegure bien el recipiente antes de insertar las cuchillas y colocar la tapa.

## COMO CERRAR LA TAPA



1. Coloque la cubierta sobre el recipiente con el seguro a la derecha del asa del recipiente (F).
2. Coloque la tapa sobre el recipiente. Sostenga el conducto de alimentos del recipiente grande o el asa sobre la tapa del recipiente pequeño (modelo FP210S solamente) y gire a la derecha hasta que encaje en su lugar.

**Importante: Como medida de protección, este aparato cuenta con un mecanismo de entrecierre. El procesador no funciona a menos que el recipiente, la tapa y el conducto de boca amplia estén debidamente instalados.**

3. Al utilizar el recipiente grande, coloque el conducto de boca amplia encima de la cubierta con la muesca a la derecha del asa del recipiente. Gire hacia la derecha hasta que encaje en posición sobre el asa.

4. Introduzca el empujador de alimentos en el tubo central del conducto de alimentos de boca ancha. Gire a la derecha para cerrar en su lugar. El empujador se utiliza para guiar los alimentos por el conducto y puede ser quitado al agregar líquido o alimentos adicionales mientras el procesador está en funcionamiento. Para retirarlo, gírelo a la izquierda.

## COMO PICAR EN EL RECIPIENTE GRANDE:

Esta cuchilla se usa para picar texturas gruesas o finas, para mezclar y deshacer los alimentos a consistencia suave.



1. Coloque el recipiente en la posición correcta (ver Ilustración E)
2. Sujete la cuchilla por el vástago y deslícela sobre la guía central (G).

**Advertencia: Las cuchillas tienen mucho filo. Tenga cuidado al manejarlas o guardarlas.**

3. Coloque los alimentos en el recipiente.

4. Coloque la tapa en el recipiente y cierre hasta que encaje en su lugar, girándolo a la derecha (ver Ilustración F).
5. Coloque el conducto de boca amplia y el empujador, en su lugar.

**Importante: Nunca use sus dedos para guiar los alimentos a través del conducto.**

6. Use el control de pulso (PULSE), velocidad baja (LOW) o velocidad alta (HIGH) para procesar los alimentos.

**Nota:** Se recomienda procesar los alimentos en incrementos de segundos a la vez. La función de pulsación permite mejor control y resultados excelentes.

**Importante: Verifique que las cuchillas hayan dejado de girar completamente antes de quitar la tapa del procesador de alimentos.**

7. Presione el botón de apagado/pulso (OFF/PULSE) y espere a que las cuchillas dejen de girar antes de quitar la tapa. Gire la tapa hacia la posición de abrir para quitarla.
8. Desprenda el recipiente girándolo a la izquierda y retírelo de la base.

**Nota:** Retire el recipiente del aparato antes de quitar la cuchilla para evitar que los alimentos salgan por la apertura del centro del recipiente.

9. Retire con cuidado la cuchilla de picar.

10. Desenchufe el aparato cuando no esté en uso.

## Consejos para procesar alimentos:

- Supervise de cerca los alimentos para no sobre procesarlos.
- La función de pulso (PULSE) ofrece más control.
- Para mejores resultados, se recomienda procesar alimentos semejantes en tamaño.
- No llene demasiado el recipiente.

- Nunca desatienda el procesador mientras está en funcionamiento.
- Se puede procesar líquido caliente pero no hirviendo.
- No use más de 3 tazas de líquido a la vez en el recipiente grande.
- Corte la carne en cubos de  $\frac{3}{4}$  de pulgada [2 tazas a la vez], y use la función de pulso (PULSE) en intervalos de 5 segundos.
- Use un embudo en el conducto de alimentos al agregar ingredientes tales como, aceite, harina y azúcar.

### COMO REBANAR O DESMENUZAR

1. Coloque el recipiente en la posición correcta (**ver Ilustración D y E**)
2. Coloque el vástago del disco en la guía central del recipiente.
3. Deslice con cuidado el disco de rebanar / desmenuzar con el lado apropiado.

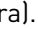
**Advertencia: Las cuchillas tienen mucho filo. Tenga cuidado al manejarlas o guardarlas.**

4. Coloque la tapa sobre el recipiente y gírela hacia la derecha hasta encajar en su lugar (**ver Ilustración F**).
5. Llene el conducto de alimentos. Escoja boca ancha o regular, dependiendo del tamaño de alimento para ser procesado. Coloque el empujador sobre los alimentos (**H o Ha**).



6. Use la función de pulso (PULSE) o la velocidad alta (HIGH) o baja (LOW); presione el empujador, firme pero ligeramente para guiar los alimentos a través del conducto.

**Nota:** El aplicar demasiada presión no acelera el funcionamiento del aparato. Use el empujador solamente como guía y permita que el procesador realice su función.

7. Antes de retirar la tapa, ajuste el control a la posición de apagado (OFF). Para retirar la tapa, gírela hacia la posición  (abrir cerradura).
8. Retire la cuchilla con mucho cuidado; gire el recipiente hacia la izquierda para retirarlo de la base.
9. Desconecte el aparato cuando no esté en uso.

### Consejos prácticos para rebanar o desmenuzar:

- Antes de cortar frutas y verduras redondas en el procesador, corte una raja delgada de la parte de abajo para que sea plana. Coloque el lado del corte de alimento hacia abajo en el conducto de alimentos.
- Siempre quite las semillas antes de procesar.
- Seleccione alimentos que sean firmes y no pasados de maduros.
- Quite el centro de las verduras duras, tales como la col.
- Para las verduras, córtelas más delgadas, un poco más pequeñas que el largo del conducto de alimentos y colóquelas verticalmente hasta quedar firmes para que no puedan girar ni caer.
- Desmenuce los quesos duros a la temperatura ambiental.
- Los quesos blandos y medio firmes deben ser enfriados bien antes de desmenuzarlos.
- Después de procesar los alimentos, retire la tapa e inviértala en la superficie de trabajo. Retire el disco de rebanar/desmenuzar antes de quitar el recipiente del procesador. Invierta la tapa del recipiente y coloque el disco encima.

### USO DE LA CUCHILLA PARA MASA

Esta cuchilla facilita y acelera eficientemente la preparación de masa y pasteles.

1. Use esta cuchilla en el recipiente grande. Esta cuchilla no alcanza el borde exterior del recipiente y por lo tanto, no es capaz de incorporar la harina cuando uno procesa pocas cantidades.

**Nota:** Use la cuchilla de metal para mezclas con menos de 2 tazas de harina.

2. Empuje la cuchilla para masa hasta abajo en el recipiente.
3. Introduzca todos los ingredientes secos en el recipiente.
4. Coloque la tapa en el recipiente. Coloque el conducto de boca amplia y el empujador. Procese para mezclar.
5. Agregue líquidos por el conducto pequeño de alimentos mientras el procesador esta trabajando.

## Cuidado y limpieza

Este producto no contiene piezas reparables por el consumidor. Para cualquier tipo de servicio, acuda a personal calificado.

**Nota:** No trate de afilar los bordes cortantes de las cuchillas ni los discos. Estos vienen afilados de fábrica y se arruinan si uno trata de afilarlos.

### LIMPIEZA

**Nota:** Antes de limpiar, asegúrese que el aparato esté apagado y que el cable esté desconectado.

- Desarme por completo las piezas del procesador antes de lavarlas.
- Para facilitar la limpieza, cuando sea posible, enjuague las piezas del aparato inmediatamente después de procesar los alimentos.
- Limpie la base y el inferior con un paño humedecido y séquelos bien. Uno puede eliminar las manchas persistentes, frotando un paño humedecido con un limpiador suave, no abrasivo. No sumerja la base en ningún líquido.
- Todas las piezas removibles son lavables a mano o en la máquina lavaplatos.
- El lavar a mano las piezas plásticas ayuda a mantener la buena apariencia del aparato.
- Si lava las piezas a mano, llene el recipiente con agua caliente jabonada y eleve y baje rápidamente la cuchilla de cortar y los discos en el vástago central.
- Si usa la máquina lavaplatos, coloque las piezas removibles en la bandeja superior pero nunca adentro ni cerca del cesto para los cubiertos.
- Es posible que aparezcan manchas en algunas partes del procesador. Aplique una pasta compuesta de 2 cucharadas de bicarbonato con 1 cucharada de agua y permita reposar de un día para otro. Enjuague y seque.
- No use almohadillas de fibras abrasivas ni agentes de limpieza en las partes plásticas o metálicas del aparato.
- No permita que las cuchillas ni los discos reposen en agua por mucho tiempo.
- Acuérdesse de limpiar el interior del eje de la cuchilla de picar; use un cepillo de cocina para remover las partículas obstruidas.
- Si se le dificulta cerrar la tapa del recipiente, aplique un poco de aceite vegetal en el borde de la tapa y del recipiente. Esto hace que la tapa cierre con mayor facilidad.

## RECETAS

### TAPENADE DE ACEITUNAS

½ taza aceitunas Kalamata, sin hueso

¼ taza aceitunas verdes Sicilianas

4 filetes de anchoas

1 ajo grande, finamente picado

2 cdas alcaparras

¼ taza atún

1 cda jugo de limón

1 taza hojas de albahaca, sin apretar

¼ taza mayonesa

¼ taza aceite de oliva

Combine los primeros 8 ingredientes en el recipiente grande del procesador de alimentos **Black & Decker®**. Agregue la mayonesa y mezcle. Añada lentamente el aceite de oliva por el conducto pequeño para alimentos. Procese hasta que quede suave.

Sirva inmediatamente con vegetales o cubra y refrigere hasta servir. Para mayor sabor, deje reposar hasta alcanzar la temperatura ambiente.

Sirva sobre rueditas de pan o baguettes tostados.

Rinde 1½ tazas más o menos.

### PAPAS AU GRATIN

1½ lbs papas para hornear (cerca de 3)

1 cebolla grande

6 onzas queso Suizo

1 rodaja pan francés, italiano o blanco

½ cda sal

¼ cda pimienta con ajo

¼ taza mantequilla o margarina derretida

Usando la cuchilla de cortar en el recipiente grande del procesador de alimentos **Black & Decker®**, corte las papas y la cebolla en rodajas; ponga a un lado.

Usando la cuchilla de desmenuzar, ralle el queso.

En el recipiente pequeño con cuchilla, pique el pan francés; ponga a un lado.

Sazone las papas con la sal y la pimienta con ajo. En un molde de hornear, coloque alternando las papas, la cebolla y 1 taza de queso. Rocíe la mantequilla derretida uniformemente. Cubra con la ½ taza de queso restante y el pan molido.

Cubra con papel de aluminio y cocine en el horno tostador **Black & Decker®** precalentado a 218 °C (425 °F) por 30 minutos. Retire el papel de aluminio y cocine 15 minutos más o hasta que dore y las papas estén suaves.

Gran acompañamiento para filete a la parrilla o asado.

Rinde 4 a 6 porciones.

## RECETA BÁSICA PARA PAN BLANCO

¾ taza agua

½ taza leche

3 cdas mantequilla o margarina

1¼ cdta levadura seca activa

3½ a 3¾ tazas harina para todo uso, sin cernir

1 cda azúcar

1 cdta sal

En una cacerola pequeña, combine el agua, la leche, y la mantequilla. Caliente a temperatura media 41 °C a 46 °C (105 °F a 115 °F). Agregue la levadura y disuelva. Deje reposar durante 5 minutos.

Coloque la cuchilla de amasar en el recipiente del procesador de alimentos **Black & Decker®**. Agregue 3 tazas de harina, el azúcar y la sal. Con el procesador en funcionamiento, agregue la mezcla de la levadura por el conducto de alimentos. Agregue la harina adicional hasta formar una masa suave. Continúe procesando la masa durante 1 a 1½ minutos.

Retire el recipiente del procesador; quite la cuchilla. Voltee la masa sobre una superficie ligeramente enharinada. Amase varias veces hasta que esté suave y elástica. Forme una pelota y coloque en un tazón engrasado, volteándola para engrasar la superficie.

Cubra y deje crecer hasta doblar el tamaño, cerca de 1 hora.

Coloque en un molde de hornear pan de 23 x 13 x 8 cm (9" x 5" x 3"), engrasado. Cubra y deje crecer a temperatura ambiental hasta doblar el tamaño, cerca de 1 hora.

Cocine a 191° C (375 °F) por 35 minutos o hasta que esté dorado y se sienta vacío al golpearlo. Retire del molde y deje enfriar sobre una parrilla.

Rinde 1 barra de pan.

**Nota:** Esta receta no debe ser duplicada en el procesador.

## PASTA CON PESTO

1 lb pasta en corbatitas o penne

4 oz queso Parmesano o Pecorino

2 tazas hojas de albahaca, sin apretarlas

½ taza perejil de hoja plana, sin apretarlas

½ taza piñones

2 ajos medianos, pelados

¼ cdta sal

⅛ cdta pimienta

½ taza aceite de oliva extra virgen

Cocine la pasta en agua hirviendo con sal hasta alcanzar la textura deseada.

Mientras tanto, en el recipiente pequeño del procesador de alimentos **Black & Decker®** con la cuchilla de picar, corte el queso finamente. Retire ½ taza de queso y coloque a un lado. Agregue la albahaca, el perejil, los piñones, los ajos, la sal y pimienta. Procese hasta que quede bastante suave. Agregue el aceite y procese hasta que esté suave.

Escurra la pasta y coloque en un tazón de servir. Agregue el pesto y revuelva para mezclarlos bien. Aderece con el queso Parmesano reservado.

Rinde de 6 a 8 porciones.

## ENSALADA DE REPOLLO ESTILO ASIÁTICO

- 1 cabeza pequeña de repollo
- 1 cebolla morada pequeña
- 1 chile pimiento rojo, mediano sin semillas
- ½ taza rodajas de almendras tostadas
- ¼ taza vinagre de vino de arroz
- 2 cdas jugo de limón fresco
- 2 cdtas salsa soya de bajo contenido de sodio
- 1 cdta aceite de semilla de sésamo
- 1 cdta jengibre fresco, rallado
- 1 cdta azúcar granulada
- 2 cdta semillas de sésamo, tostadas
- 1 cdta semillas de sésamo negro

Usando el lado para desmenuzar del disco del procesador de alimentos **Black & Decker®**, ralle el repollo en el recipiente; coloque a un lado.

Usando el lado para rebanar, rodaje la cebolla y el chile; agregue al repollo.

Añada las almendras y revuelva para mezclar.

En un tazón pequeño o taza de medir, mezcle el vinagre, jugo de limón y la salsa soya. Agregue los ingredientes restantes y mezcle bien. Vierta sobre la mezcla de repollo y revuelva bien.

Cubra y refrigere hasta que se vaya a servir, o cubra y deje reposar por unos 15 minutos, permitiendo que los sabores se mezclen.

Gran acompañamiento para pollo a la parrilla o pescado.

Rinde aprox. 7 tazas.

## PIZZA CON PESTO DE ARÚGALA

½ receta para masa de pizza (ver abajo)

⅓ taza pesto de arúgala (ver abajo)

8 oz queso mozzarella

3 oz queso Parmesano

4 tomates manzanos

2¼ taza hojas de albahaca, cortadas diagonalmente

Sal y pimienta

Coloque la masa sobre una superficie ligeramente enharinada; cubra con envoltura plástica y deje reposar durante 10 minutos.

Entretanto, ralle el queso en el tazón grande del procesador de alimentos **Black & Decker®**. Coloque el queso sobre una hoja de papel encerado.

Invierta la cuchilla de picar/desmenuzar y corte los tomates en rodajas.

Use el tazón pequeño y pique finamente el queso Parmesano.

Con el rodillo estire la masa hasta formar un círculo de 12 pulgadas.

Coloque sobre un molde para pizza, ligeramente engrasado y enharinado, o use papel encerado\* ligeramente cubierto con harina de maíz. Estire la masa hasta formar un círculo de 14 pulgadas; presione la orilla con los dedos para formar un borde.

Cubra uniformemente con el pesto dejando ½ pulgada de borde. Rocíe el queso mozzarella sobre el pesto. Arregle las rodajas de tomate sobre el queso. Rocíe con el queso parmesano y la albahaca. Sazone con sal y pimienta al gusto.

Cocine en horno precalentado a 232 °C (450 °F) hasta que la masa y el queso estén dorados, aprox. 12 minutos.

Rinde 1 pizza de 14 pulgadas.

\* Si usa un molde de piedra para pizza, precaliéntela durante 45 minutos. Deslice la pizza del papel encerado al molde precalentado.



## PASTA RÁPIDA PARA PIZZA

1¼ cda levadura seca activa

1½ tazas agua tibia 41 °C a 46 °C (105°F- 115°F)

¼ cda azúcar

3½ a 3¾ tazas harina para todo uso, sin cernir

1 cda sal

2 cdas aceite de oliva

Rocíe la levadura sobre el agua; agregue el azúcar y deje reposar hasta que la levadura se disuelva (aprox. 5 minutos).

Coloque la cuchilla de amasar en el recipiente del procesador de alimentos **Black & Decker**®. Agregue 3 tazas de harina, sal y aceite de oliva. Con el procesador en funcionamiento, agregue la mezcla de la levadura gradualmente por el conducto de alimentos. Agregue harina hasta formar una masa suave. Continúe procesando la masa de 1 a 1½ minutos. Pare de procesar. Deje reposar la masa por 10 minutos.

Sobre una superficie ligeramente enharinada amase varias veces. Forme una pelota y coloque en un tazón engrasado, volteándola para engrasar la superficie.

Cubra y deje crecer hasta doble el tamaño, cerca de 1 hora. Presione hacia abajo. Para una pizza de concha delgada, divida la masa en mitad. Estire con el rodillo sobre una superficie ligeramente enharinada formando un círculo de 14 pulgadas. Transfiera a un molde para pizza o piedra de hornear rociada con harina de maíz. Levante las orillas de la masa para formar un borde.

Vierta la salsa de su elección sobre la pizza y distribuya uniformemente. Cubra con los ingredientes deseados. Cocine a 232 °C (450°F) o hasta que la orilla este dorada y el relleno caliente.

Rinde 2 pizzas.

## PESTO DE ARÚGULA

2 tazas hojas de arúgula fresca

1 taza hojas de albahaca

½ taza hojas de perejil italiano

½ taza queso parmesano rallado

½ taza piñones

2 ajos grandes, finamente picados

1 cda ralladura de limón

¾ taza aceite de oliva

Coloque todos los ingredientes excepto el aceite en el recipiente con cuchilla del procesador de alimentos **Black & Decker**®. Cubra y procese a velocidad alta hasta que esté suave, como por 1 minuto. Pare ocasionalmente para limpiar los lados del recipiente. Retire el empujador de alimentos del conducto de alimentos y vierta el aceite lentamente en el procesador. Continúe procesando hasta que la mezcla esté suave.

Rinde aprox. 1½ tazas.

**Nota:** Se puede sustituir 2 tazas de espinacas tiernas por las hojas de arúgula.

## MASA PARA PASTEL

1 taza harina para todo uso, sin cernir

½ cda sal

¼ taza manteca

2 cdas mantequilla o margarina frías, cortadas en pedazos

2 a 4 cdas agua fría

Coloque la cuchilla en el recipiente del procesador de alimentos **Black & Decker**®. Agregue la harina, sal, manteca y mantequilla. Pulse 3 o 4 veces por 3 o 4 segundos cada vez, hasta que la mezcla esté quebrajosa.

Con el procesador en funcionamiento, vierta por el conducto de alimentos agua suficiente sólo para que la mezcla se separe de los lados del recipiente y forme una bola suelta.

Retire el recipiente del procesador; quite la cuchilla. Ponga la masa sobre una superficie de trabajo ligeramente enharinada. Forme una pelota suavemente. Cubra con envoltura plástica y refrigere por lo menos durante 20 minutos. (Si se va a almacenar más tiempo, permita que la masa repose sobre la superficie de trabajo durante 15 minutos antes de estirla.) Estire hasta formar un círculo 2 pulgadas más grande que el molde de pastel que se va a usar. Transfiera la masa de pastel al molde. Para hornear sin relleno, use un tenedor y haga varias perforaciones. Cocine a 218 °C (425 °F) o hasta dorar, aprox. 12 minutos.

Rinde masa para un pastel de 9 pulgadas (23 cm).

# RESOLUCIÓN DE PROBLEMAS O FALLAS

PROBLEMA	POSIBLE CAUSA	SOLUCIÓN
Los alimentos no resultan bien picados.	El recipiente está demasiado lleno. Usted podría estar haciendo funcionar el aparato continuamente en vez de usar la función de pulso. Los alimentos están siendo picados en porciones irregulares.	Las cantidades pequeñas se pueden procesar en porciones más uniformes. Use el botón de pulsación (PULSE) en incrementos de 5 segundos o menos. Espere que las cuchillas paren del todo antes de presionar este botón nuevamente. Corte los alimentos en tamaños iguales antes de procesarlos.
El recipiente gotea por debajo.	El recipiente tiene demasiado líquido.	Procese cantidades pequeñas. Cuando agregue líquidos, use un máximo de 3 tazas en el recipiente. Cuando use líquidos, nunca retire la cuchilla sin haber quitado antes el recipiente del procesador.
Las rebanadas quedan desiguales y sesgadas.	Los alimentos en el conducto no han sido bien comprimidos o no se le ha aplicado suficiente fuerza al empujador al procesar los alimentos.	Corte los pedazos en tamaños iguales, un poco más pequeños que el largo del conducto de alimentos. Llene el conducto con cuidado y mantenga presión constante sobre el empujador, a medida procesa los alimentos.

PROBLEMA	POSIBLE CAUSA	SOLUCIÓN
Los alimentos rebanados o desmenuzados se acumulan a un lado del recipiente.	Esto es normal.	Interrumpa el funcionamiento del procesador y empareje los alimentos en el recipiente o páselos a otro contenedor. Cuando los alimentos se acumulen cerca del disco, vacíe el recipiente antes de continuar procesando.
Ciertos pedazos de alimentos se acumulan encima del disco de rebanar/desmenuzar.	Esto es normal.	Rebane o desmenuce a mano esos pedazos, o deshágalos en sopa.
El queso blando se acumula encima del disco de rebanar/desmenuzar.	El queso no estaba lo suficientemente frío. Se le aplicó demasiada presión al empujador.	Asegúrese de enfriar bien los quesos blandos o póngalos en el congelador hasta poderlos penetrar $\frac{1}{2}$ con un cuchillo. Recuerde que el empujador se debe usar como guía, sin tener que aplicarle demasiada presión.

## ¿NECESITA AYUDA?

Para servicio, reparaciones o preguntas relacionadas al producto, por favor llame al número del centro de servicio que se indica para el país donde usted compró su producto.

NO devuélva el producto al fabricante. Llame o lleve el producto a un centro de servicio autorizado.

## DOS AÑOS DE GARANTÍA LIMITADA

**(No aplica en México, Estados Unidos o Canadá)**

### ¿Qué cubre la garantía?

- La garantía cubre cualquier defecto de materiales o de mano de obra que no haya sido generado por el uso incorrecto del producto.

### ¿Por cuánto tiempo es válida la garantía?

- Por dos años a partir de la fecha original de compra.

### ¿Cómo se obtiene el servicio necesario?

- Conserve el recibo original como comprobante de la fecha de compra, comuníquese con el centro de servicio de su país y haga efectiva su garantía si cumple lo indicado en el manual de instrucciones.

### ¿Cómo se puede obtener servicio?

- Conserve el recibo original de compra.
- Por favor llame al número del centro de servicio autorizado.

### ¿Qué aspectos no cubre esta garantía?

- Los productos que han sido utilizados en condiciones distintas a las normales.
- Los daños ocasionados por el mal uso, el abuso o negligencia.
- Los productos que han sido alterados de alguna manera.
- Los daños ocasionados por el uso comercial del producto.
- Los productos utilizados o reparados fuera del país original de compra.
- Las piezas de vidrio y demás accesorios empacados con el aparato.
- Los gastos de tramitación y embarque asociados al reemplazo del producto.
- Los daños y perjuicios indirectos o incidentales.

### ¿Qué relación tiene la ley estatal con esta garantía?

- Esta garantía le otorga derechos legales específicos y el consumidor podría tener otros derechos que varían de una región a otra.

## Póliza de Garantía

**(Válida sólo para México)**

### Duración

Applica Manufacturing, S. de R. L. de C.V. garantiza este producto por 2 años a partir de la fecha original de compra.

### ¿Qué cubre esta garantía?

Esta Garantía cubre cualquier defecto que presenten las piezas, componentes y la mano de obra contenidas en este producto.

### Requisitos para hacer válida la garantía

Para reclamar su Garantía deberá presentar al Centro de Servicio Autorizado la póliza sellada por el establecimiento en donde adquirió el producto. Si no la tiene, podrá presentar el comprobante de compra original.

### ¿Dónde hago válida la garantía?

Llame sin costo al teléfono 01 800 714 2503, para ubicar el Centro de Servicio Autorizado más cercano a su domicilio en donde usted podrá encontrar partes, componentes, consumibles y accesorios.

### Procedimiento para hacer válida la garantía

Acuda al Centro de Servicio Autorizado con el producto con la póliza de Garantía sellada o el comprobante de compra original, ahí se reemplazará cualquier pieza o componente defectuoso sin cargo alguno para el usuario final. Esta Garantía incluye los gastos de transportación que se deriven de su cumplimiento.

### Excepciones

Esta Garantía no será válida cuando el producto:

- A) Se hubiese utilizado en condiciones distintas a las normales.
- B) No hubiese sido operado de acuerdo con el instructivo de uso que le acompaña.
- C) Cuando el producto hubiese sido alterado o reparado por personas no autorizadas por Applica Manufacturing, S. de R. L. de C.V.

**Nota:** Usted podrá encontrar partes, componentes, consumibles y accesorios en los centros de servicios autorizados. Esta garantía incluyen los gastos de transportación que se deriven de sus cumplimiento dentro de sus red de servicio.

Por favor llame al número correspondiente que aparece en la lista a continuación para solicitar que se haga efectiva la garantía y donde Ud. puede solicitar servicio, reparaciones o partes en el país donde el producto fué comprado. También puede consultarnos en el e-mail servicio@applicamail.com.mx

#### Argentina

SERVICIO TECNICO CENTRAL  
ATTENDANCE

Avda. Monroe N° 3351  
Buenos Aires – Argentina  
Fonos: 0810 – 999 – 8999  
011 – 4545 – 4700  
011 – 4545 – 5574

supervision@attendance.com.ar

#### Chile

MASTER SERVICE SERVICENTER

Nueva Los Leones N° 0252

Providencia  
Santiago – Chile  
Fono Servicio: (562) – 232 77 22  
servicente@servicenter.cl

#### Colombia

PLINARES

Avenida Quito # 88A-09  
Bogotá, Colombia  
Tel. sin costo 01 800  
7001870

#### Costa Rica

Aplicaciones Electromecanicas, S.A.  
Calle 26 Bis y Ave. 3  
San Jose, Costa Rica  
Tel.: (506) 257-5716 / 223-0136

#### Ecuador

Servicio Master de Ecuador  
Av. 6 de Diciembre 9276 y los Alamos  
Tel. (593) 2281-3882

#### El Salvador

Calle San Antonio Abad 2936  
San Salvador, El Salvador  
Tel. (503) 2284-8374

#### Guatemala

MacPartes SA  
3ª Calle 414 Zona 9  
Frente a Tecun  
Tel. (502) 2331-5020 / 2332-2101

#### Honduras

ServiTotal  
Contigua a Telecentro  
Tegucigalpa, Honduras,  
Tel. (504) 235-6271

#### México

Artículo 123 # 95 Local 109 y 112  
Col. Centro, Cuauhtemoc,  
México, D.F.  
Tel. 01 800 714 2503

#### Nicaragua

ServiTotal  
De semáforo de portezuelo  
500 metros al sur.  
Managua, Nicaragua,  
Tel. (505) 248-7001

#### Panamá

Servicios Técnicos CAPRI  
Tumbamuerto Boulevard  
El Dorado Panamá  
500 metros al sur.  
Tel. 3020-480-800 sin costo  
(507) 2360-236 / 159

#### Perú

Servicio Central Fast Service  
Av. Angamos Este 2431  
San Borja, Lima Perú  
Tel. (511) 2251 388

#### Puerto Rico

Buckeye Service  
Jesús P. Piñero #1013  
Puerto Nuevo, SJ PR 00920  
Tel.: (787) 782-6175

#### Republica Dominicana

Plaza Lama, S.A.  
Av, Duarte #94  
Santo Domingo,  
República Dominicana  
Tel.: (809) 687-9171

#### Venezuela

Inversiones BDR CA  
Av. Casanova C.C.  
City Market Nivel Plaza Local 153  
Diagonal Hotel Melia,  
Caracas.  
Tel. (582) 324-0969

www.applicaservice.com  
servicio@applicamail.com

Sello del Distribuidor:

Fecha de compra:

Modelo:

**Comercializado por:**  
Applica Manufacturing, S. de R. L. de C.V.  
Presidente Mazarik No111, 1er Piso  
Col. Chapultepec Morales, Mexico D.F  
Deleg. Miguel Hidalgo  
CP 11570  
MEXICO

**Servicio y Reparación**  
Art. 123 No. 95

Col. Centro, C.P. 06050

Deleg. Cuauhtemoc

**Servicio al Consumidor,**  
Venta de Refacciones y Accesorios  
01 800 714 2503

**Código de fecha / Date Code**

**500 W 120 V<sup>~</sup> 60 Hz**

**BLACK&DECKER** es una marca registrada de The Black & Decker Corporation,  
Towson, Maryland, E.U.

Fabricado en la República Popular de China  
Impreso en la República Popular de China

**Importado por / Imported by:**

**APPLICA AMERICAS, INC.**

Av. Juan B Justo 637 Piso 10  
(C1425FSA) Ciudad Autonoma de Buenos Aires  
Argentina

**C.U.I.T No.** 30-69729892-0

**Importado por / Imported by:**

**APPLICA MANUFACTURING, S. DE R. L. DE C. V.**

Presidente Mazarik No111, 1er Piso  
Col. Chapultepec Morales, Mexico D.F  
Deleg. Miguel Hidalgo  
CP 11570  
MEXICO

Teléfono: (55) 5263-9900

**Del interior marque sin costo**

01 (800) 714 2503



Copyright © 2009 Applica Consumer Products, Inc.

R12009/3-16-49E/S