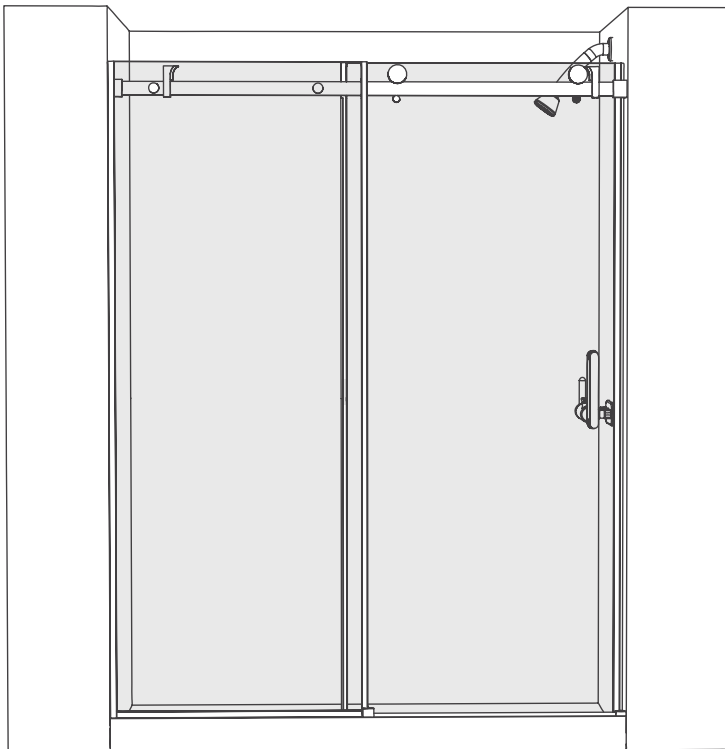


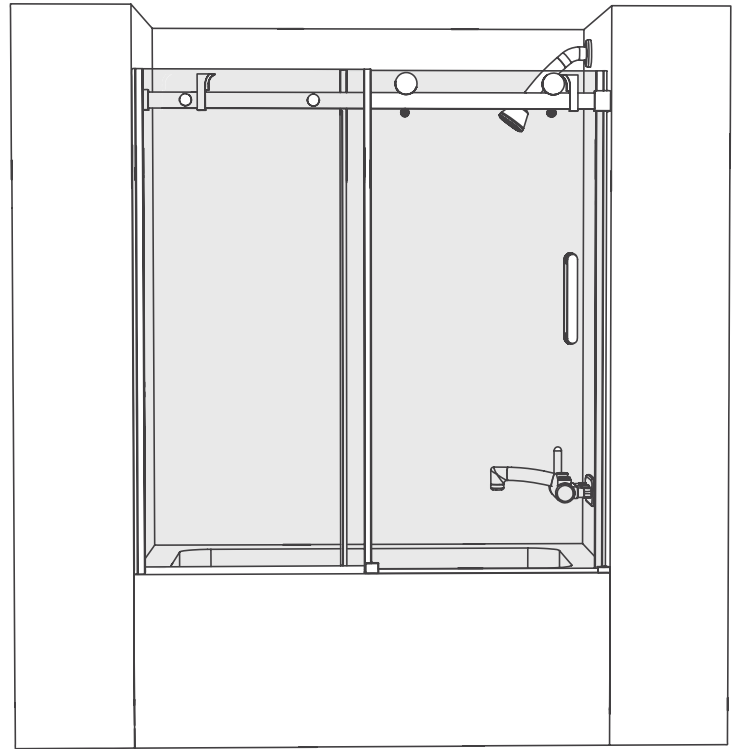
Thank you for purchasing our shower door. We hope that our product will provide you with a satisfying experience for many years to come. Prior to installation, examine all boxes and packages for shipping damage and compare to packing slip. If the unit has been damaged, has finishing defect, or has missing parts, then please contact our customer support department. Read the instructions carefully because it contains installation instructions about proper installation of the unit. If you do not follow the steps correctly, then it might affect the unit's proper use and void the warranty. If you have any questions, then please call our customer support department.

Local plumbing codes vary by location. You should consult with a local licensed plumber regarding proper installation to comply with local building codes.

Before installations make sure the surface is leveled and has the strength to support the weight of the unit. Also make sure that the walls are at the right angles. Irregular installation surface level, radius corners, or improper angles of side walls will result in serious problem for your installation. Please note that some adjustments and drillings might be necessary during the installation process.



Shower Enclosure



Tub Enclosure

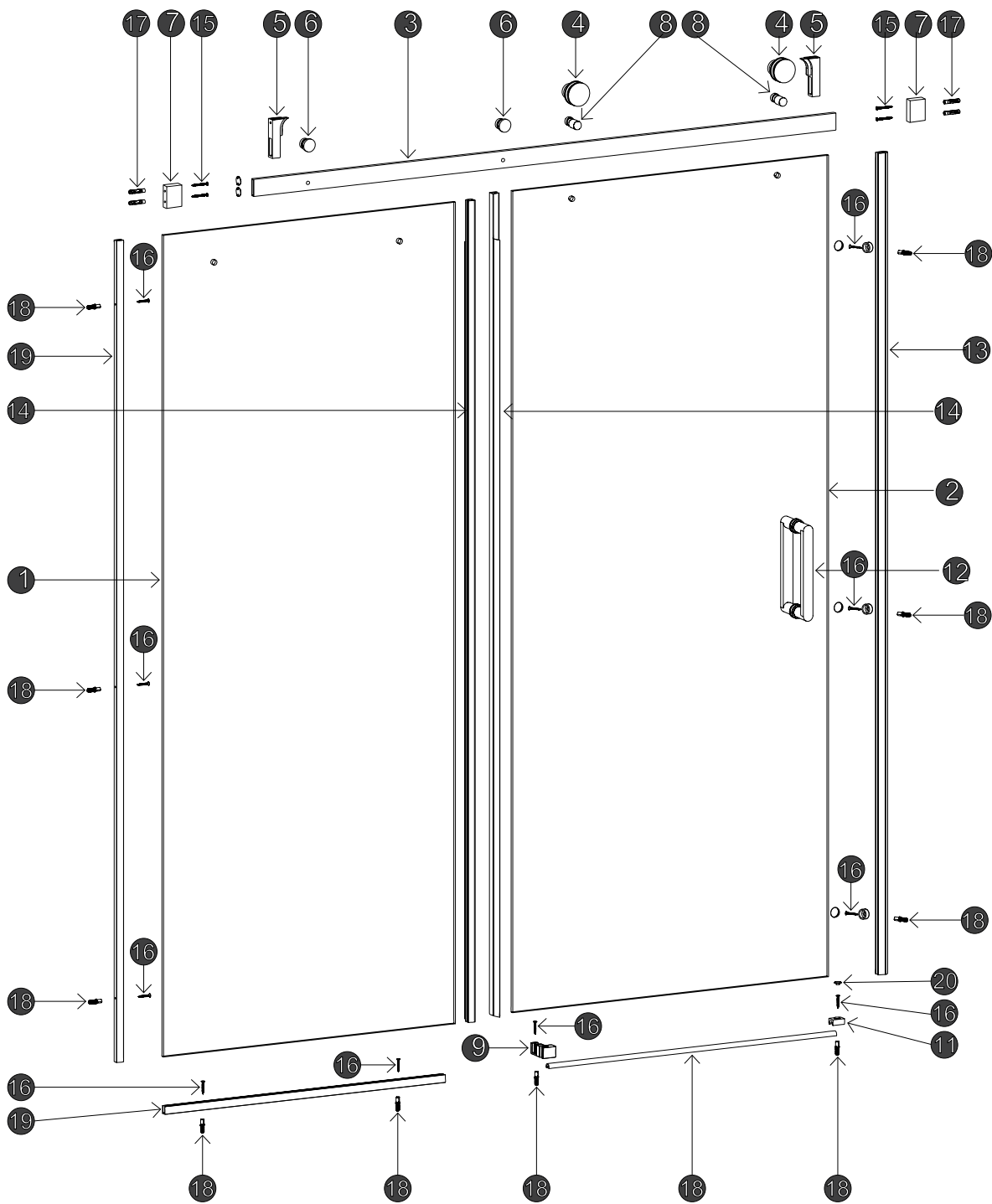
**ATTENTION: PRIOR TO STARTING THE INSTALLATION, PLEASE READ THROUGH THESE INSTRUCTIONS. THIS WILL HELP AVOID ANY UNNECESSARY DAMAGE. ANY BREAKAGE DUE TO HANDLING OR INSTALLING THIS ENCLOSURE SYSTEM IS THE RESPONSIBILITY OF THE INSTALLER AND IS NOT COVERED UNDER THE SEAWIN WARRANTY. SEAWIN RECOMMENDS THAT TWO PEOPLE ARE USED TO INSTALL THIS SHOWER ENCLOSURE SYSTEM DUE TO THE WEIGHT AND FRAGILITY OF THE GLASS PANELS.**

**PLEASE PROTECT ALL PRIMARY GLASS SURFACES OF THE PRODUCT. NEVER PLACE THE GLASS DIRECTLY ONTO A TILE SURFACE. LEAVE CORNER PROTECTORS IN PLACE UNTIL NECESSARY TO REMOVE THEM. NEVER PLACE OR LEAN GLASS ON ITS CORNERS EVEN THOUGH IT HAS PROTECTORS ON. ALWAYS USE PIECE OF WOOD OR CARDBOARD TO PROTECT THE BOTTOM EDGE AND CORNERS OF THE GLASS PRIOR TO AND DURING INSTALLATION.**

IF YOU NEED REPLACEMENT PARTS OR HAVE INSTALLATION QUESTIONS,  
PLEASE CALL OUR CUSTOMER SERVICE REPRESENTATIVES.  
INSTALLATIONS SHALL BE MADE ACCORDING TO MANUFACTURER'S INSTRUCTIONS AND DRAWINGS.  
SEAWIN RECOMMENDS THE INSTALLATION TO BE PERFORMED BY A TRAINED INSTALLER.

# PARTS- EXPLODED VIEW

- |                            |                                     |                         |
|----------------------------|-------------------------------------|-------------------------|
| ① FIXED DOOR               | ⑧ ANTI-JUMPER                       | ⑮ SCREW ST5X50          |
| ② SLIDING DOOR             | ⑨ DOOR GUIDE                        | ⑯ SCREW ST4X25          |
| ③ DOOR RAIL                | ⑩ THRESHOLD                         | ⑰ WALL ANCHOR           |
| ④ ADJUSTABLE GLIDING WHEEL | ⑪ THRESHOLD END CAP                 | ⑱ FLOOR ANCHOR          |
| ⑤ ADJUSTABLE DOOR STOP     | ⑫ HANDLE                            | ⑲ FIXED PANEL U-CHANNEL |
| ⑥ GLASS TO RAIL CONNECTORS | ⑬ "U" SEAL WITH BULB ATTACHMENT     | ⑳ SCREW COVER           |
| ⑦ DOOR RAIL WALL CONNECTOR | ⑭ "U" SEAL WITH 90 DEGREE VINYL FIN | ㉑ SCREW COVER           |



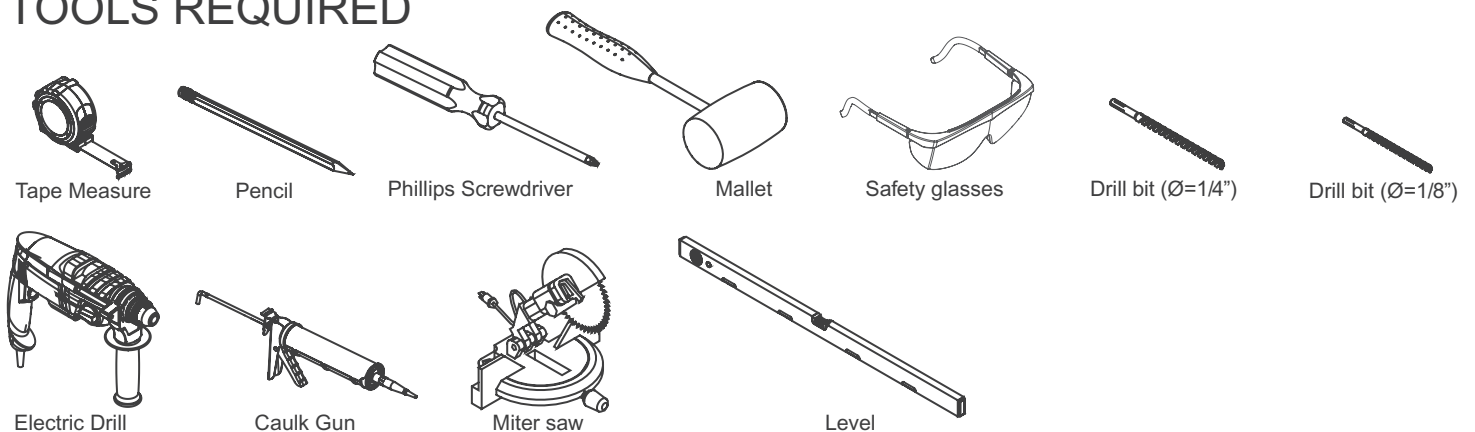
**CAUTION:** Risk of injury or product damage. Do not attempt to cut tempered glass.  
**WARNING!** Never use Door Handle to support yourself. This is for towels or wash cloths only.

# PARTS LIST

<b>1</b>  Fixed Door x1	<b>2</b>  Sliding Door x1	<b>3</b>  Door Rail x1	<b>4</b>  Adjustable Gliding Wheel x2	<b>5</b>  Adjustable Door Stop x2
<b>6</b>  Glass To Rail Connectors x2	<b>7</b>  Door Rail Wall Connector x2	<b>8</b>  Anti-Jumper x2	<b>9</b>  Door Guide x1	<b>10</b>  Threshold x1
<b>11</b>  Threshold End Cap x1	<b>12</b>  Handle x1	<b>13</b>  "U" Seal With Bulb Attachment x1	<b>14</b>  "U" Seal With 90 Degree Vinyl Fin x2	<b>15</b>  Screw ST4.8x32 x4
<b>16</b>  Screw ST3.9x32 x10	<b>17</b>  Wall Anchor x4	<b>18</b>  Floor Anchor x10	<b>19</b>  Fixed Panel U-channel x2	<b>20</b>  Screw Cover x1
<b>21</b>  Screw Cover x3				

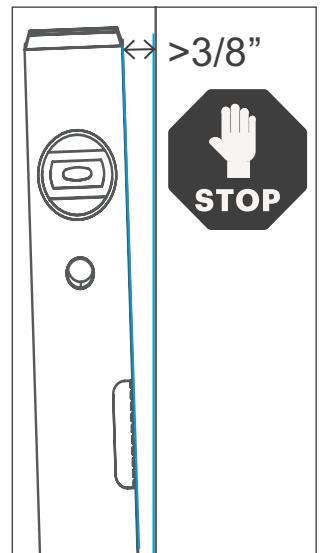
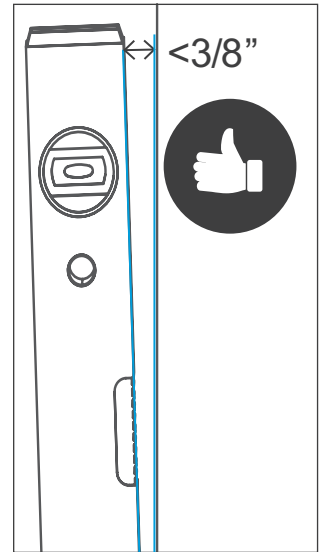
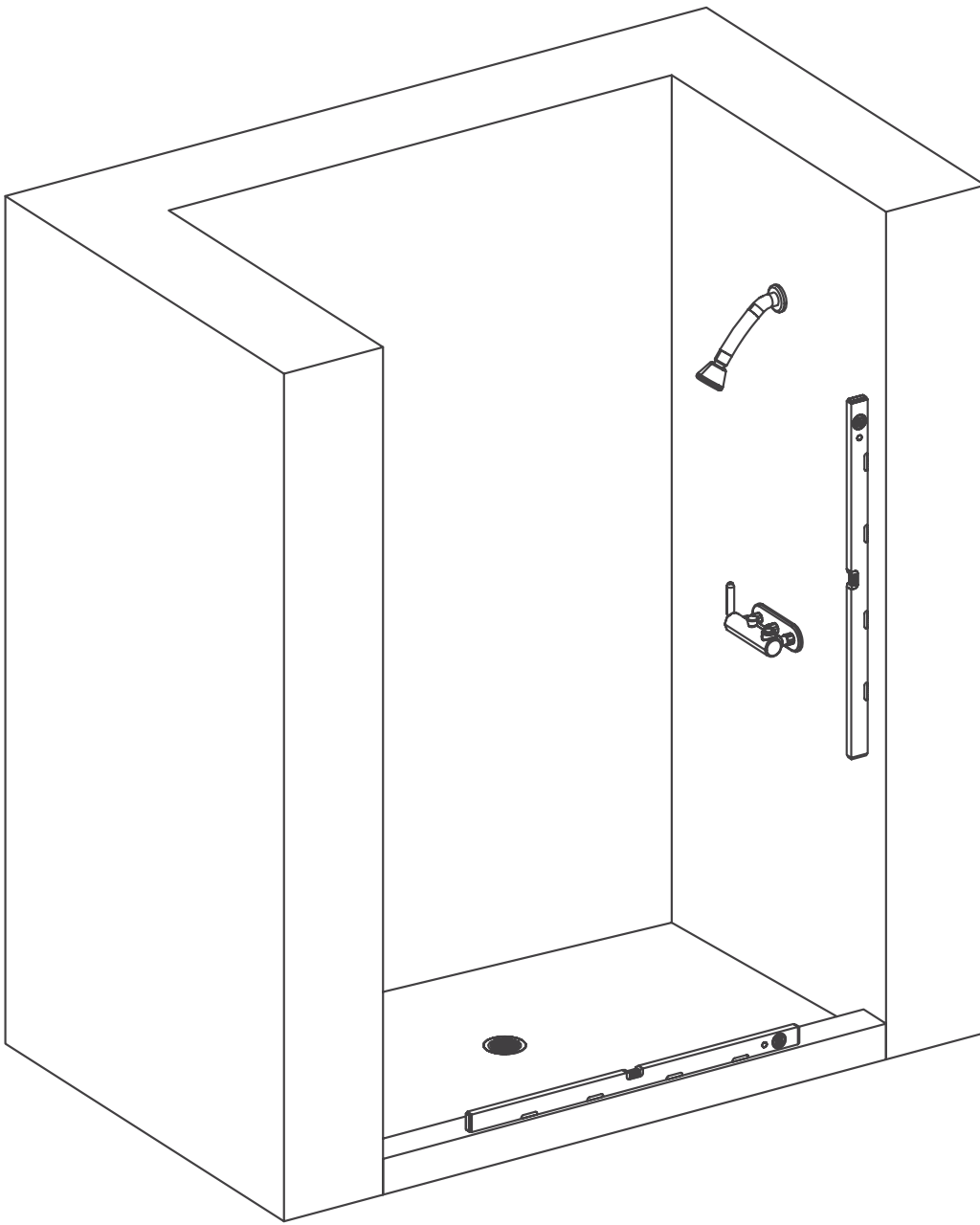
PLEASE STOP THE INSTALLATION AND CONFIRM WITH FACTORY IF THE ACTUAL NUMBER OR TYPE OF PARTS IS DIFFERENT!

# TOOLS REQUIRED

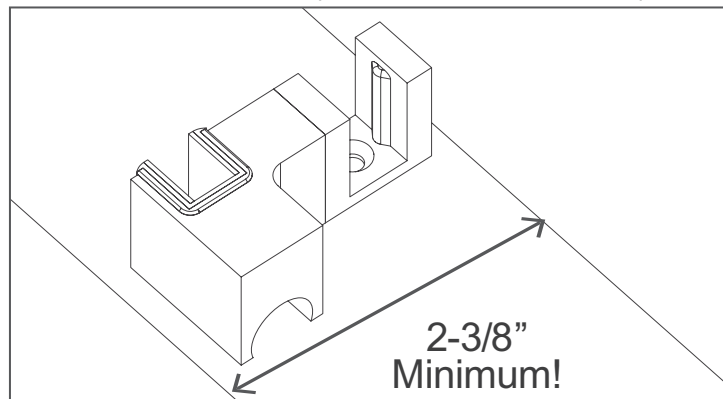


**IMPORTANT:**

Determine if your tub/shower enclosure ledge is leveled and walls are plumb as shown in sketch. If they are out of level/plumb, by more than 3/8", STOP and call Customer Service.

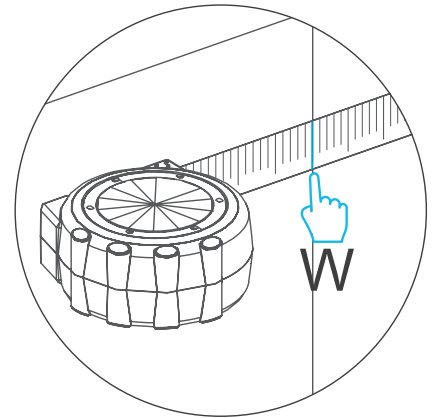
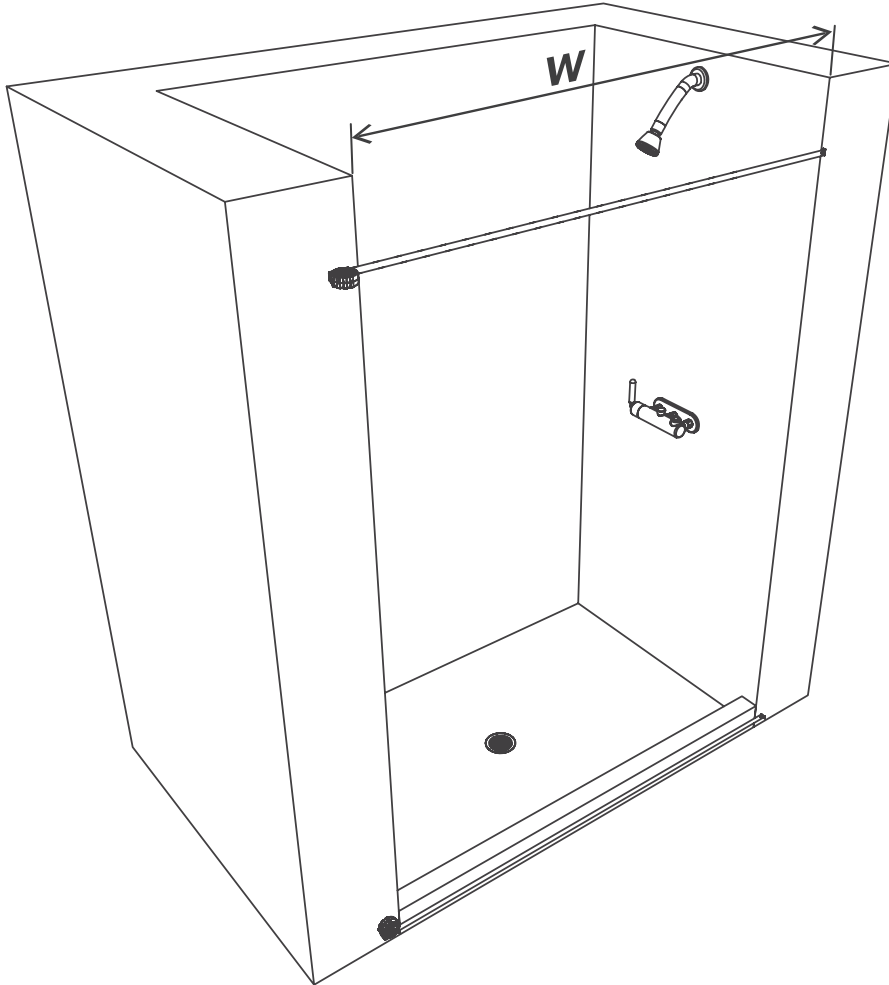


Note: The minimum threshold requirement is 2-3/8" of flat threshold space.



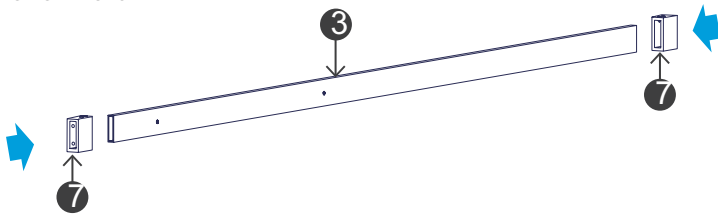
## STEP 1

Measure the distance between two finished walls at the top and at the curb level. Mark top distance as "W".



## STEP 2

Your Door Rail has been pre-cut to a specific size. Slide the Door Rail Wall Connectors onto each end of the Door Rail. Secure them temporarily using the hex wrench.



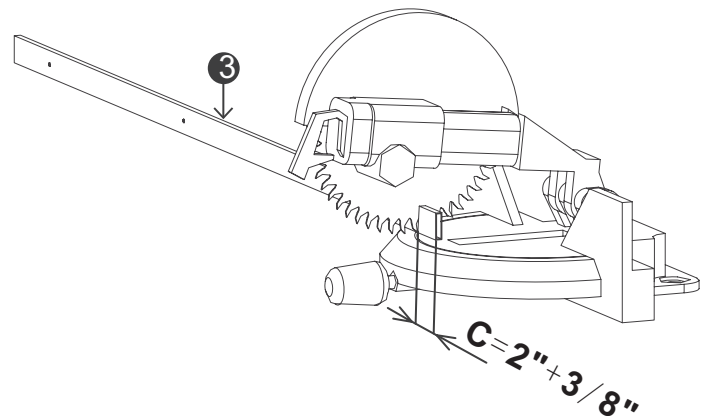
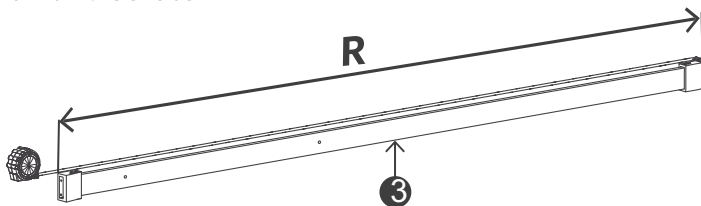
If measurement "R" is greater than measurement "W" you will need to cut of the Door Rail. Cut the Door Rail from the Sliding Door end only which is the end opposite from the Glass To Rail Connectors holes. The length to cut of is " $R - W = C$ ".

FOR EXAMPLE:

If the Door Rail assembly with the Door Rail Wall Connectors = 48" ("R") and finished opening = 46" ("W") then you need to cut of 2" from the Door Rail. Example:  $48" - 46" = 2 + 3/8"$  cut of.

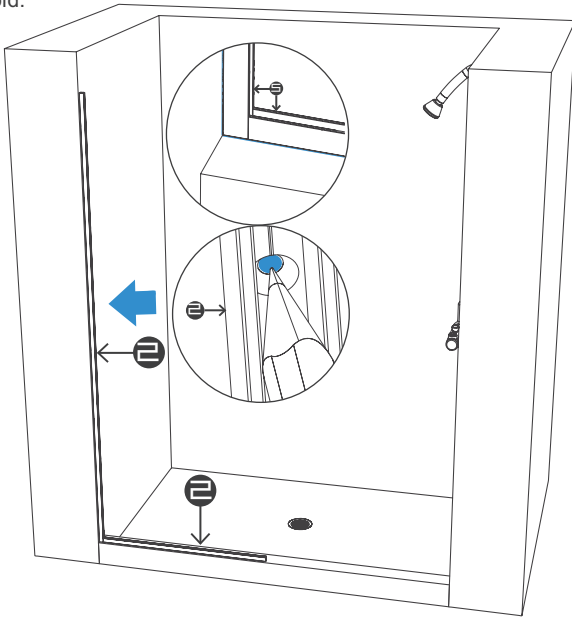
Note: The manufacturer strongly recommends up to 4" cut of adjustment.

Measure length of the Door Rail with the Door Rail Wall Connector at each end. Mark this size as "R".



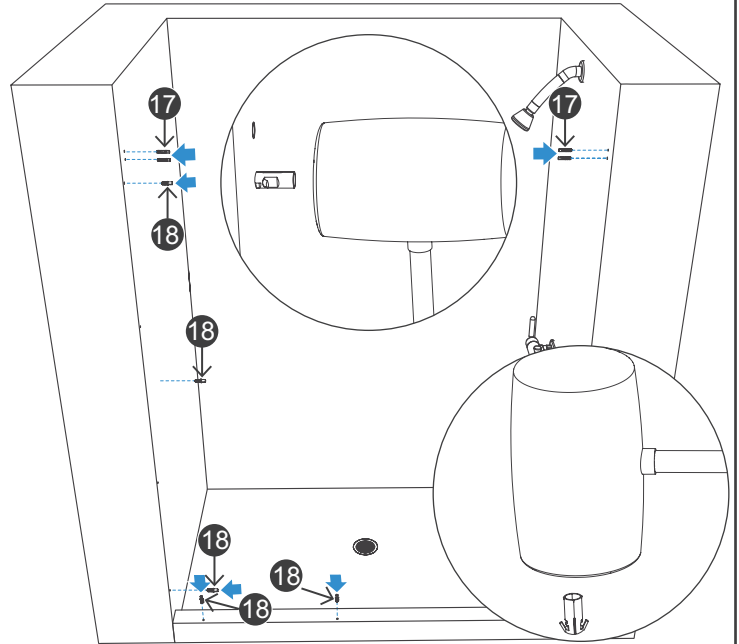
### STEP 3

Place the Fixed Panel U-channels onto pre-installed shower base, tub or threshold.

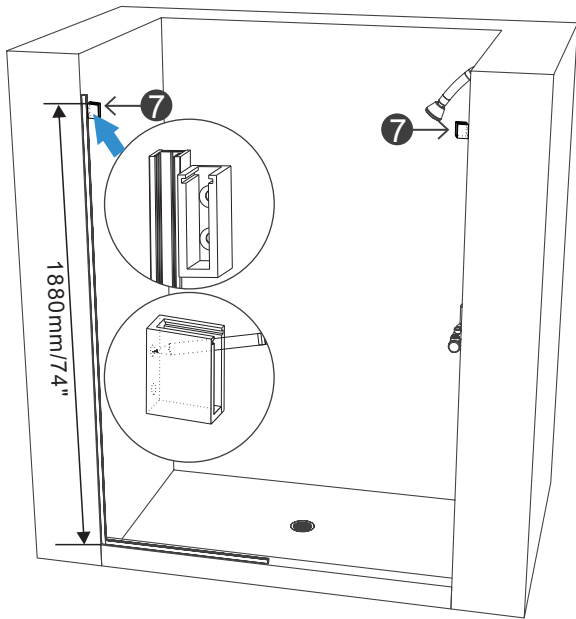


### STEP 6

Insert the Floor and Wall Anchors .

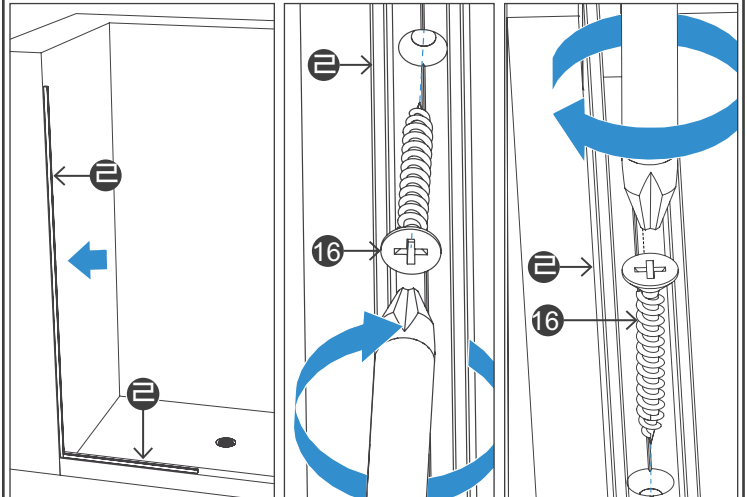


### STEP 4



### STEP 7

Place the Fixed Panel U-channels on the position and fasten it to the wall and curb with Screws ST4x25.



### STEP 5

Drill the Door Rail Wall Connectors and Fixed Panel U-channel holes on the wall using Ø 1/4" drill bit.

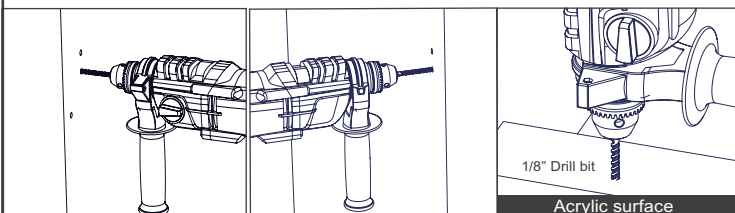
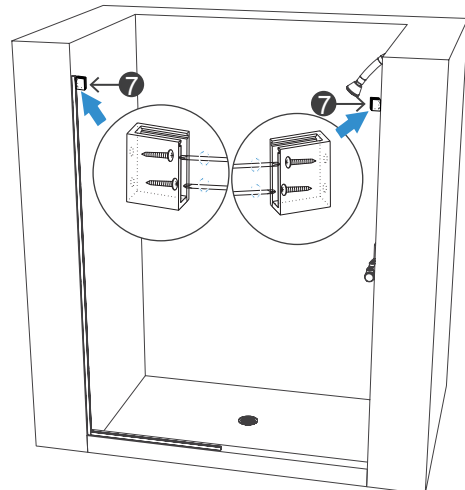
Drill the Fixed Panel U-channels and the Door Guide holes on the curb (See Notes).

Note: For the Door Guide and the Fixed Panel U-channels installation into acrylic surface pre-drill hole with 1/8" drill bit and use the Screw ST4x25 . OR

For the Door Guide and the Fixed Panel U-channel installation into tiled surface drill 1/4" hole. Install the Floor Anchor and use the Screw ST3.9x32

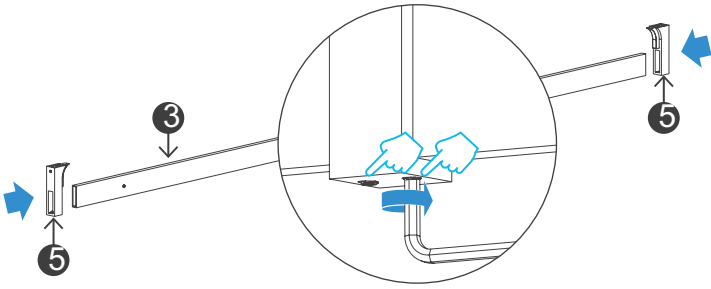
### STEP 8

Fasten the Door Rail Wall Connectors to the wall by tightening 2 Screws ST4.8x32 on each side and place the Screw Cover over the holes.



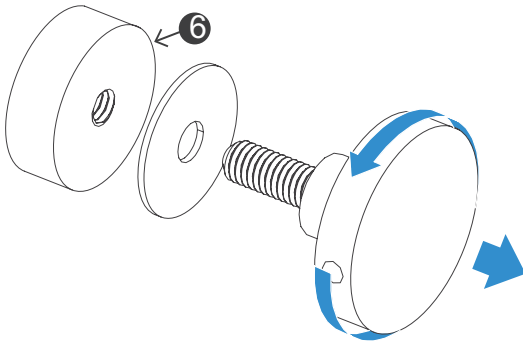
### STEP 9

Slide the Adjustable Door Stoppers onto each end of the Door Rail and secure them temporarily using the hex wrench. The Fixed door-end stopper position should be behind the hole on Door Rail. The Sliding door-end stopper position will be adjusted in a later step after the Sliding Door is installed.

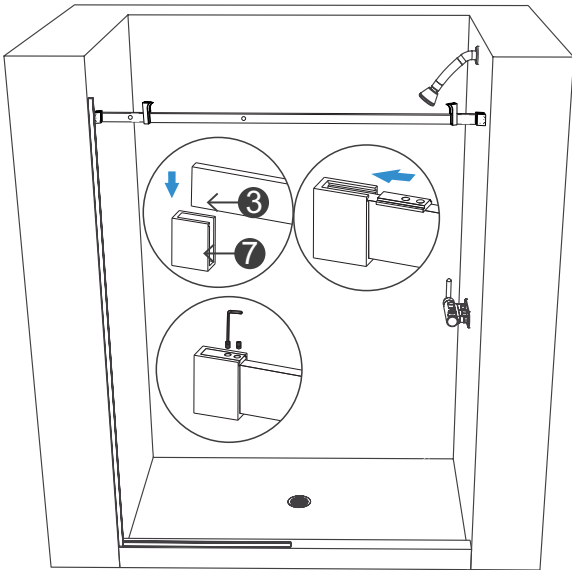


### STEP 10

Disassemble the Glass To Rail Connectors.

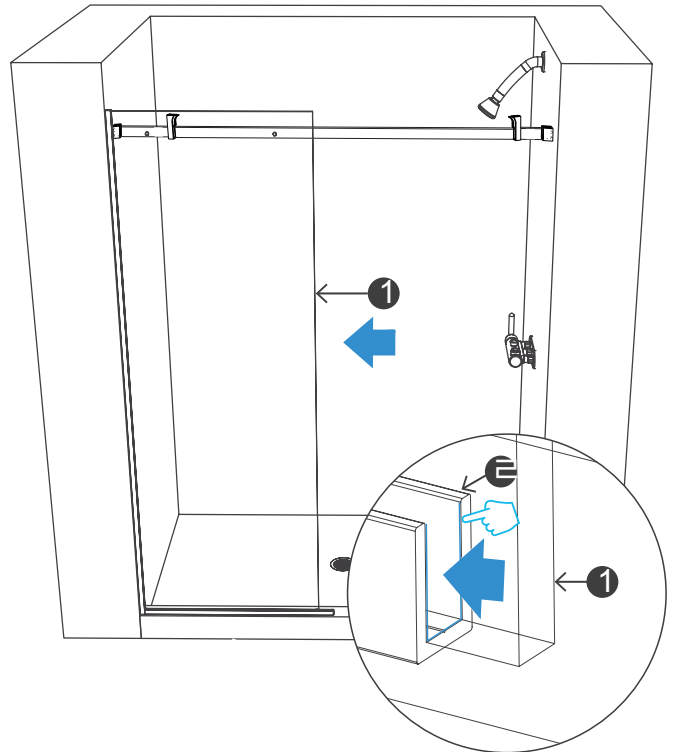


### STEP 11

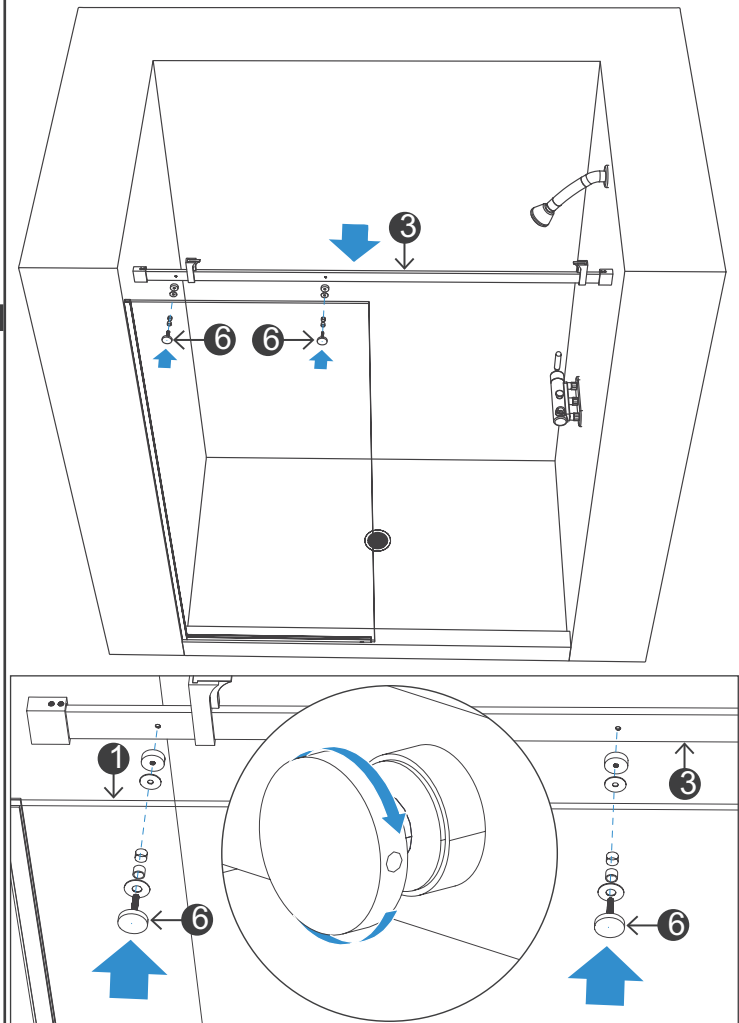


### STEP 12

Place the Fixed Door into the Fixed Panel U-channels.

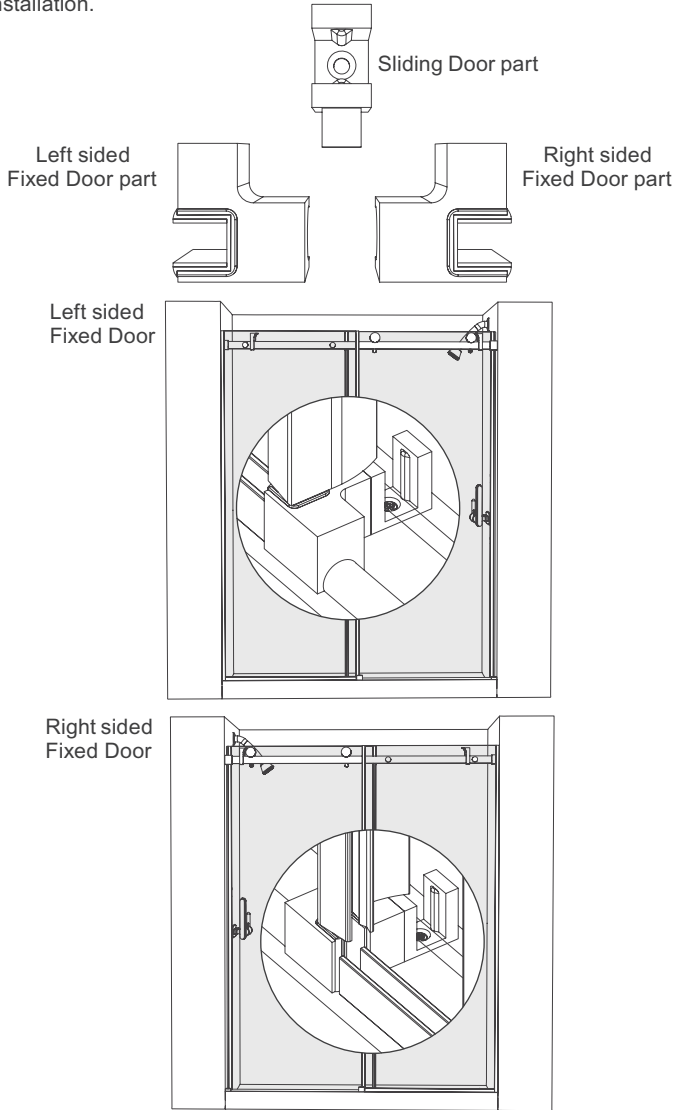


Attach the Door Rail to the Fixed Door with the Glass To Rail Connectors and screw back the cover.

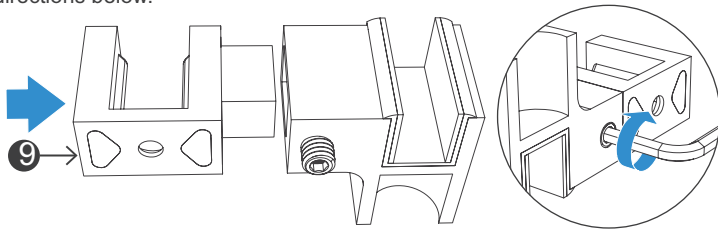


### STEP 13

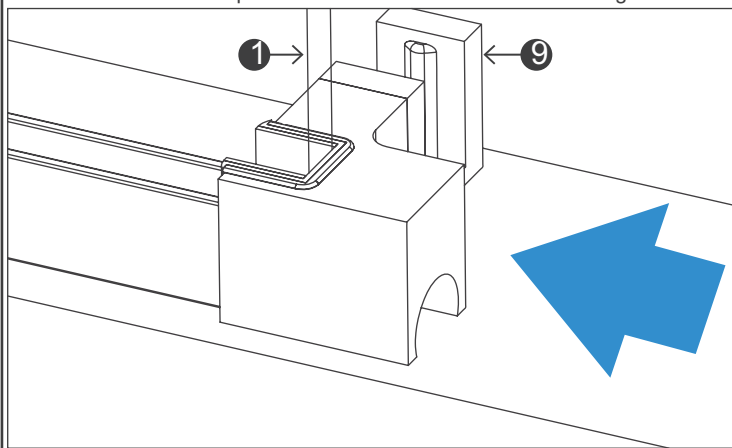
Door Guide comes in 2 directions- for left and right sided Fixed Door installation.



Choose the appropriate Door Guide Direction and assemble it with simple directions below.

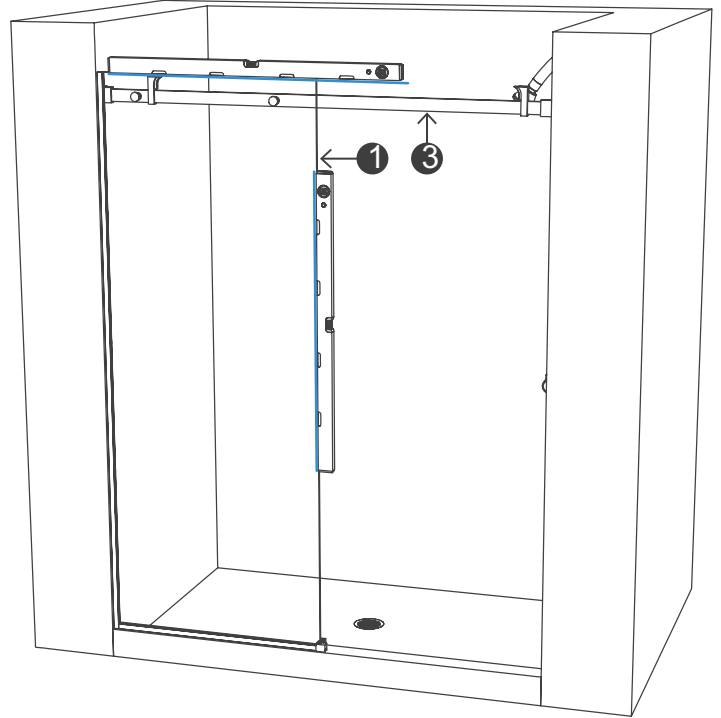


Place the Door Guide up to the Fixed Door as shown in the diagram below.

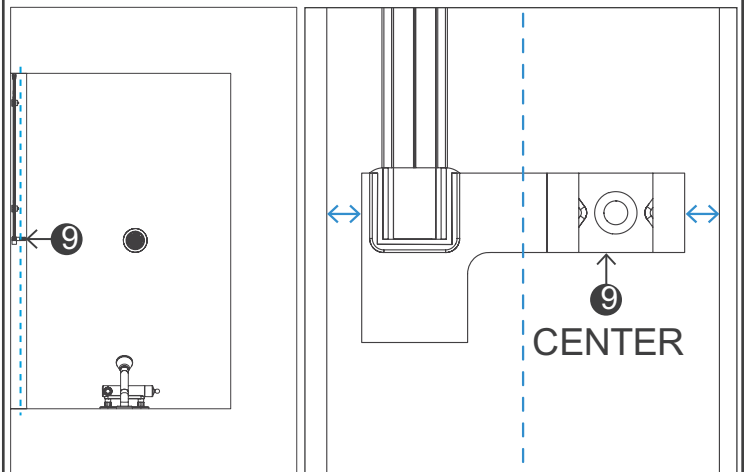


### STEP 14

Level the Fixed Door and Door Rail and align it with the shower base, tub or threshold.

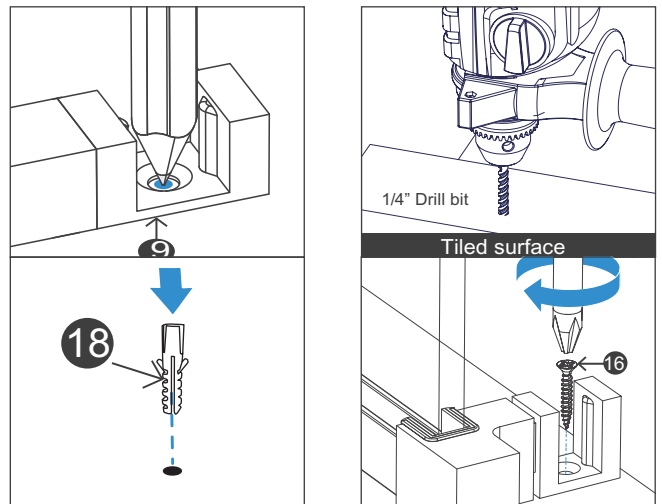


Do not center the Fixed Door on the threshold, use the Door Guide for reference. Center the Door Guide on the threshold.



### STEP 15

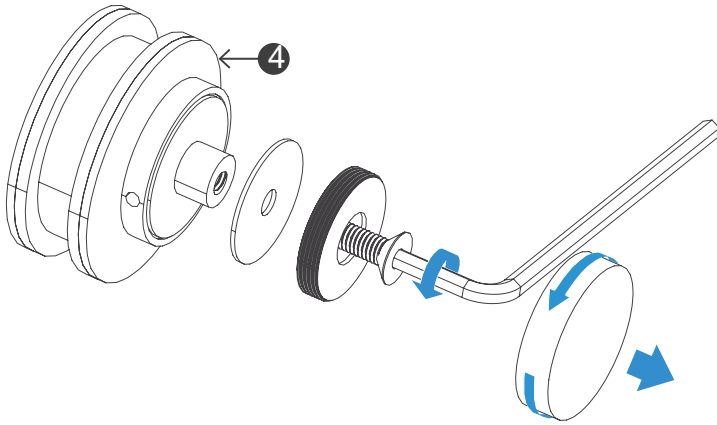
Place the Door Guide up to the Fixed Door and fasten it with the Screws ST3.9x32





## STEP 16

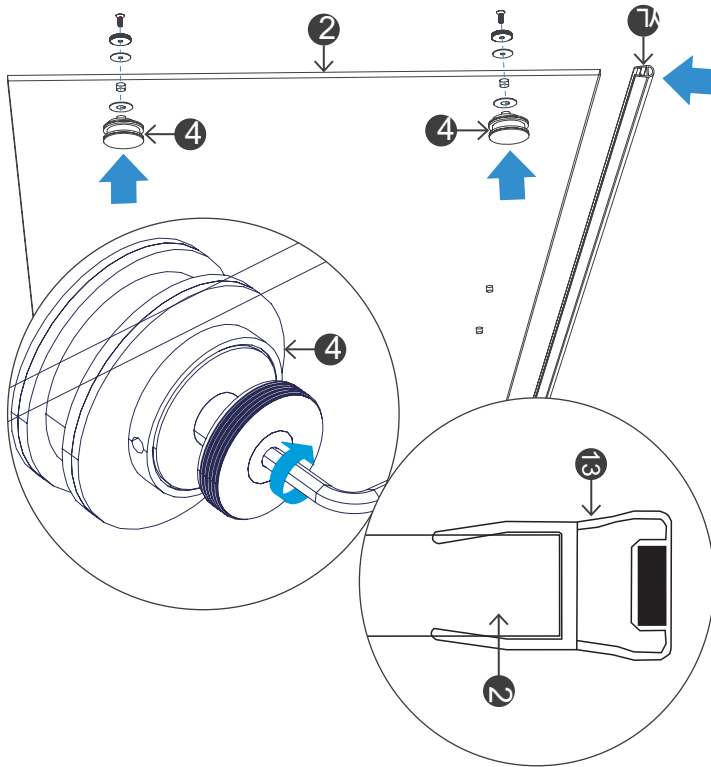
Disassemble the Adjustable Gliding Wheels



Assemble the top Adjustable Gliding Wheels onto the Sliding Door and attach the "U" Seal with Bulb Attachment to the vertical edge of the Sliding Door on the finished wall side. Do not tighten the back cover on Adjustable Gliding Wheels.

Note:

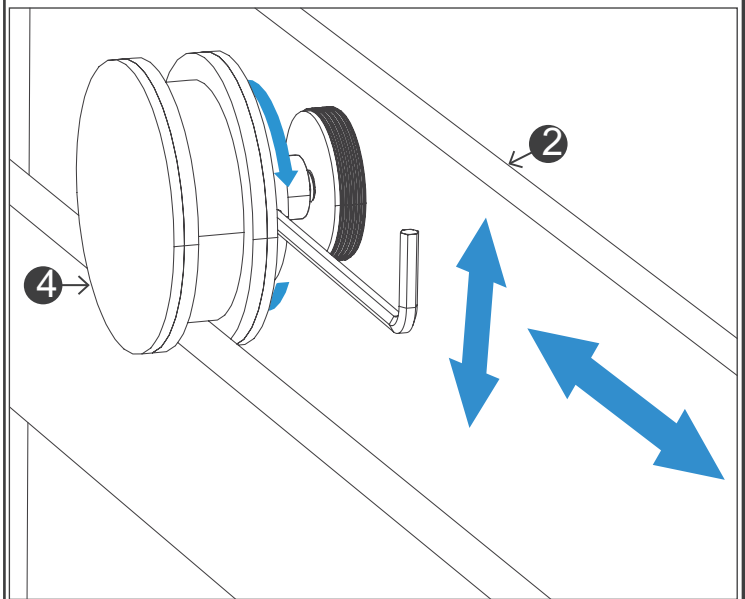
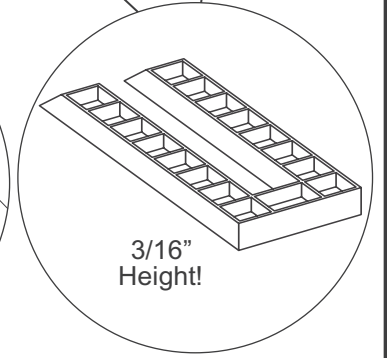
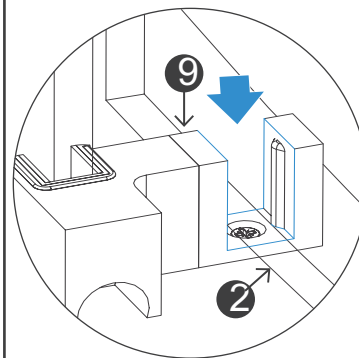
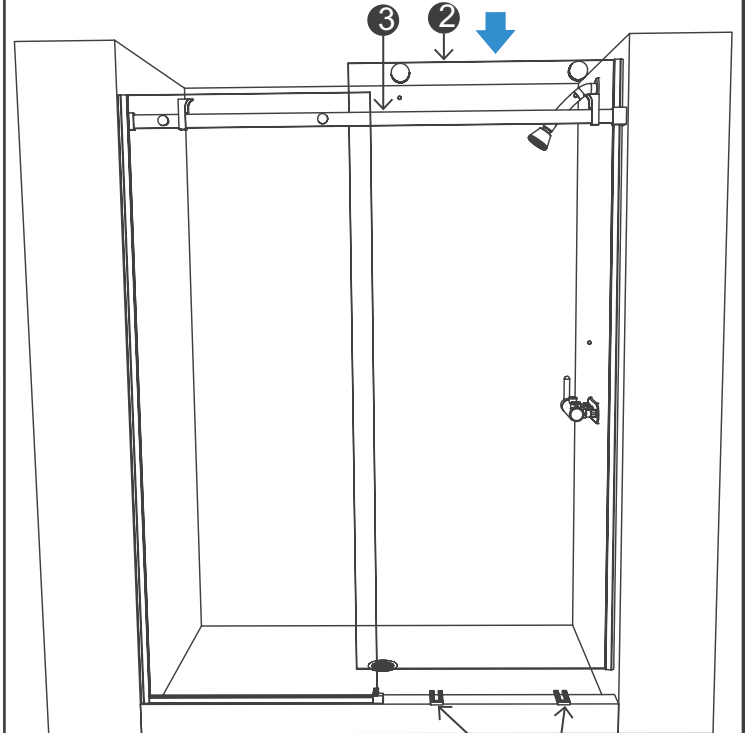
Place gasket on each side of the Adjustable Gliding Wheels.



## STEP 17

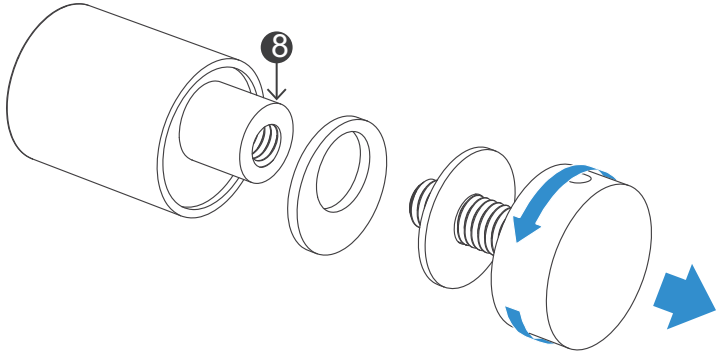
Place the Sliding Door on the Door Rail while carefully sliding the bottom edge of the Sliding Door into the groove of the Door Guide. If necessary, adjust the discs on each Adjustable Gliding Wheels to ensure that the bottom edge of the Sliding Door does not touch the bottom of the Door Guide.

Tip: Use a 3/16" shim beneath the Sliding Door when adjusting the level of the door so that the glass does not make contact with the Door Guide.

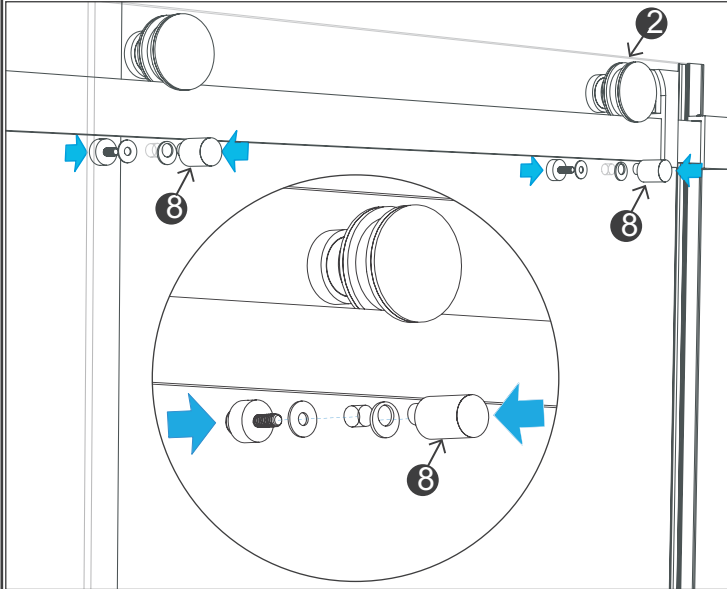


### STEP 18

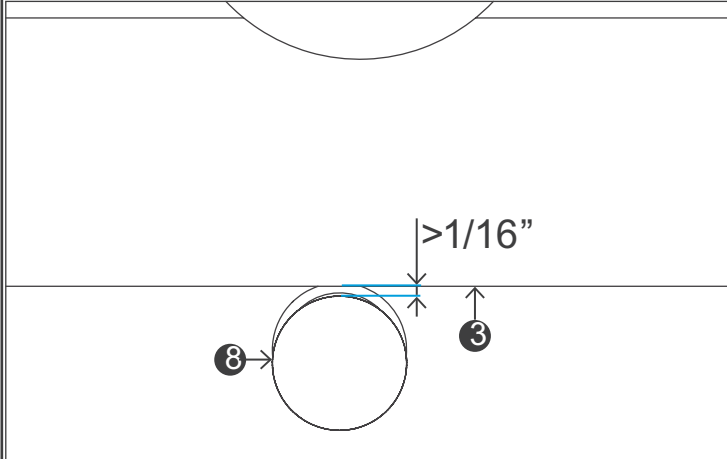
Disassemble the Anti-jumpers .



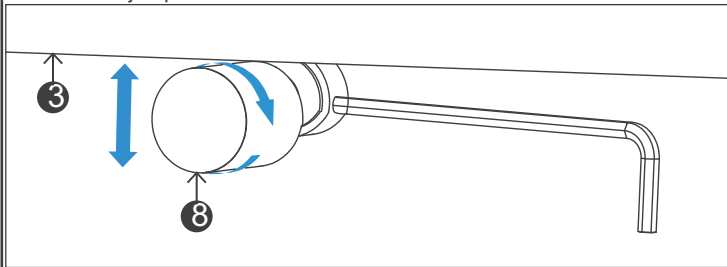
Attach the two Anti-jumpers on Sliding Door to secure the door to the Door Rail .



Leave no more than a 1/16" gap between the Door Rail and the Anti-jumper to ensure smooth gliding.

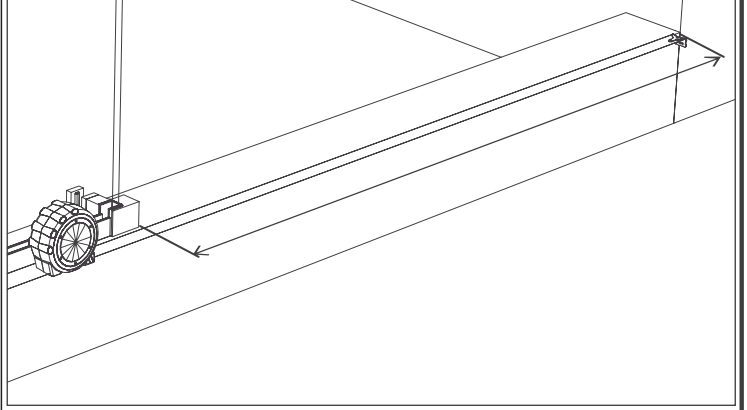


Note: Anti-jumper can be rotated to adjust space between the Door Rail and the Anti-jumper .



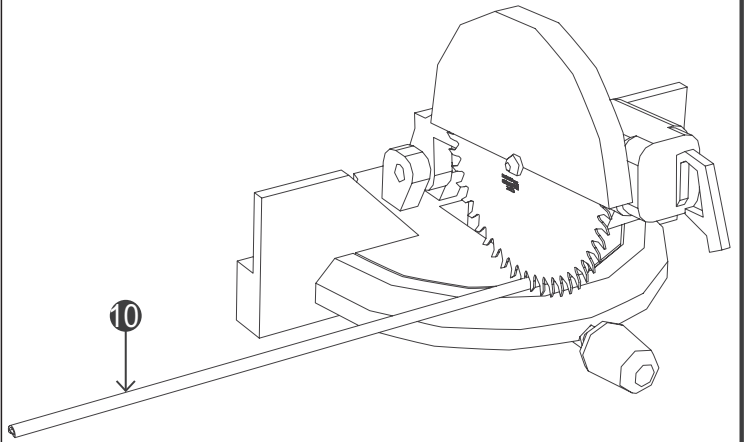
### STEP 19

Measure the distance between the Door Guide and the wall.

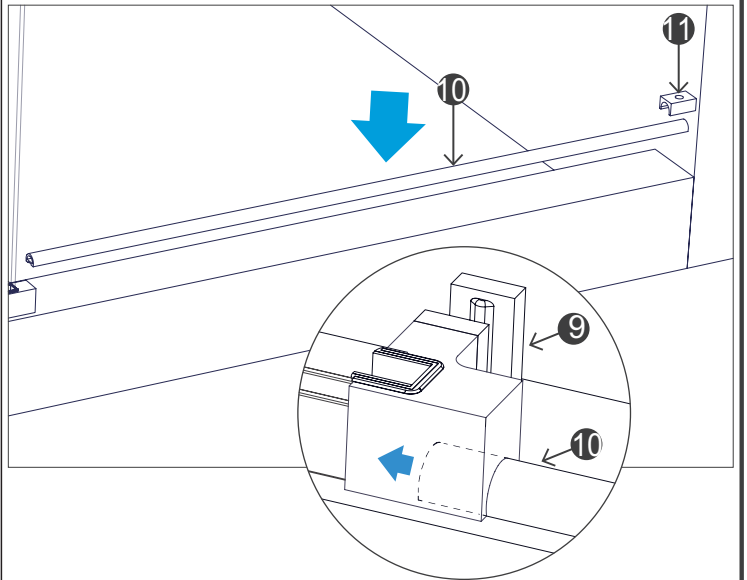


### STEP 20

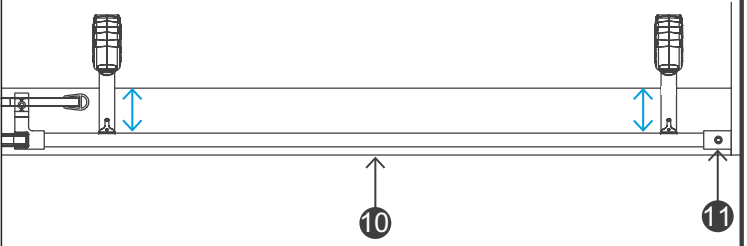
Cut the Threshold to the length of measured distance using miter saw.



Place the Threshold and Threshold End Cap on the position. Slide the Threshold into the Door Guide groove.

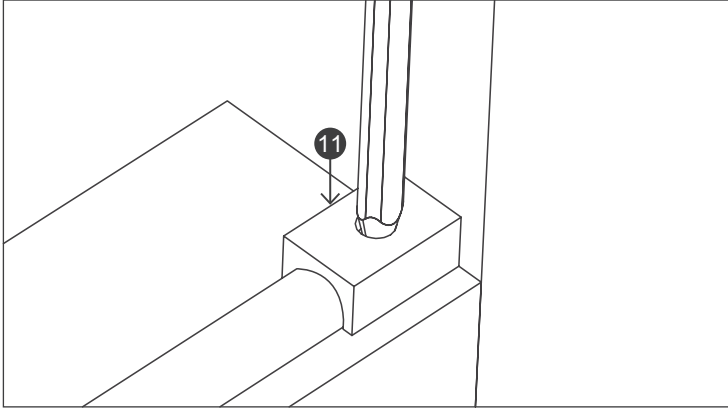


Align the Threshold and Threshold End Cap on the shower curb.

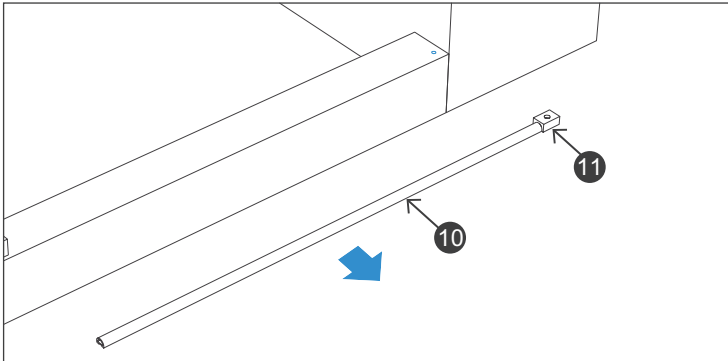


### STEP 21

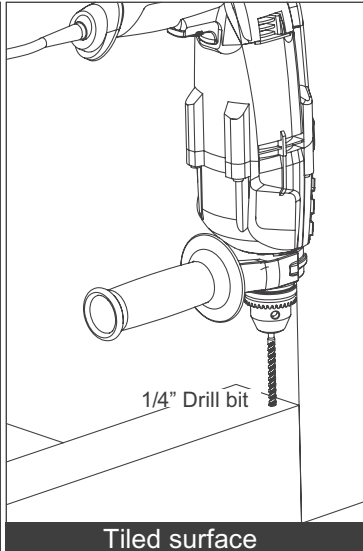
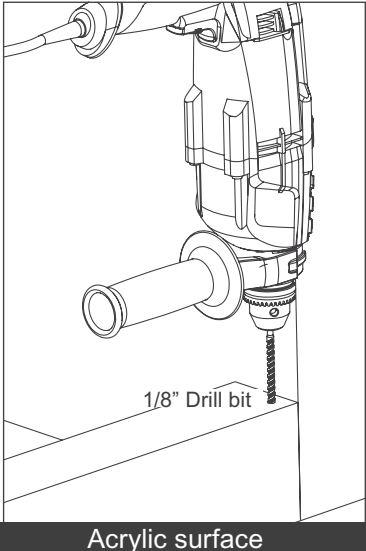
Mark the position of the holes on the Threshold End Cap .



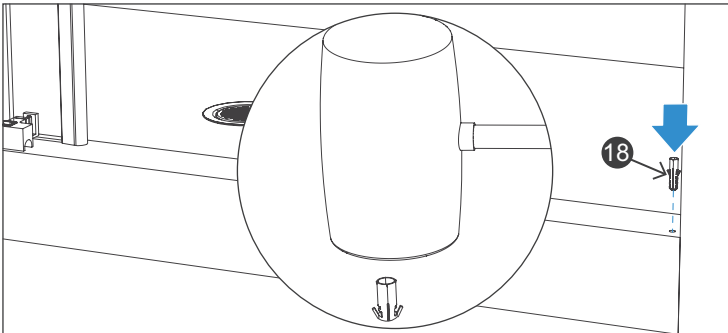
Remove the Threshold and Threshold End Cap .



Drill the Threshold End Cap hole on the curb (See Notes).  
Note: For the installation into acrylic surface pre-drill hole with 1/8" drill bit and use the Screw ST4x25 .  
OR  
For the installation into tiled surface drill 1/4" hole. Install the Floor Anchor and use the Screw ST4x25 .

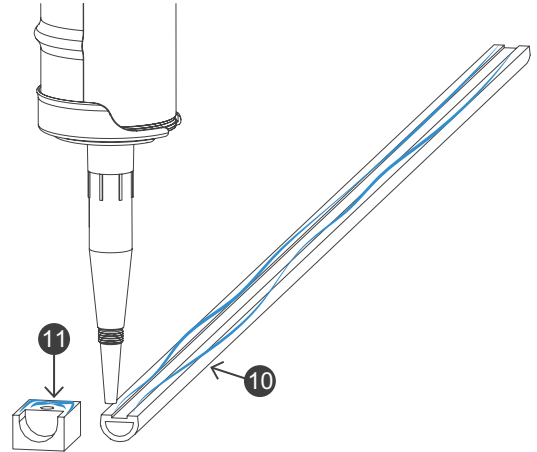


Insert the Floor Anchor .



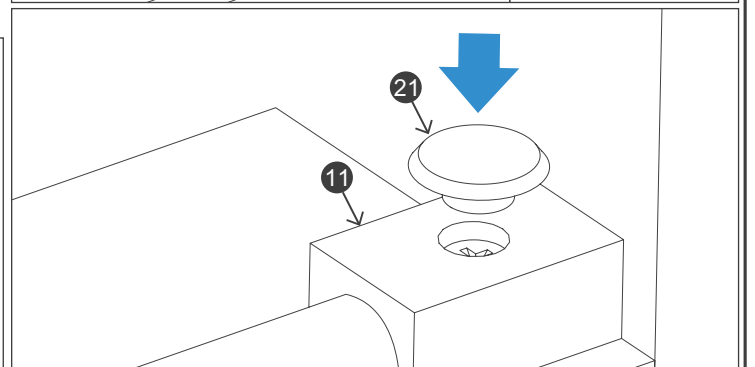
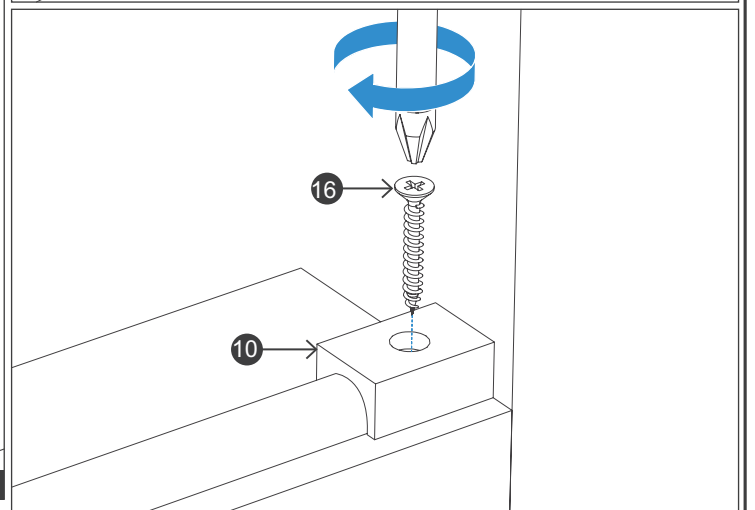
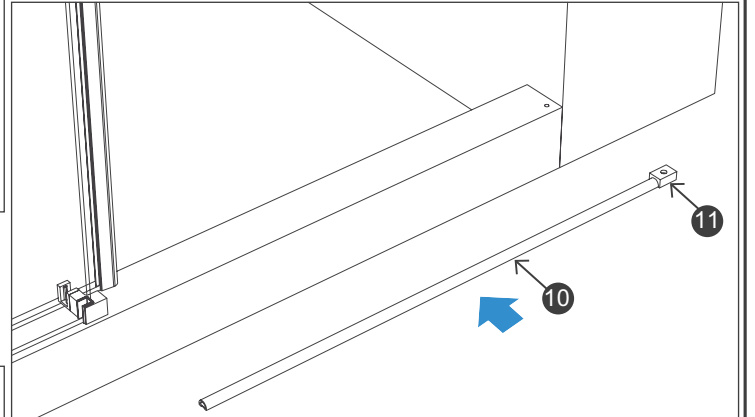
### STEP 22

Apply silicone at the bottom of the Threshold and Threshold End Cap .  
Note: Clean surfaces before applying silicone.



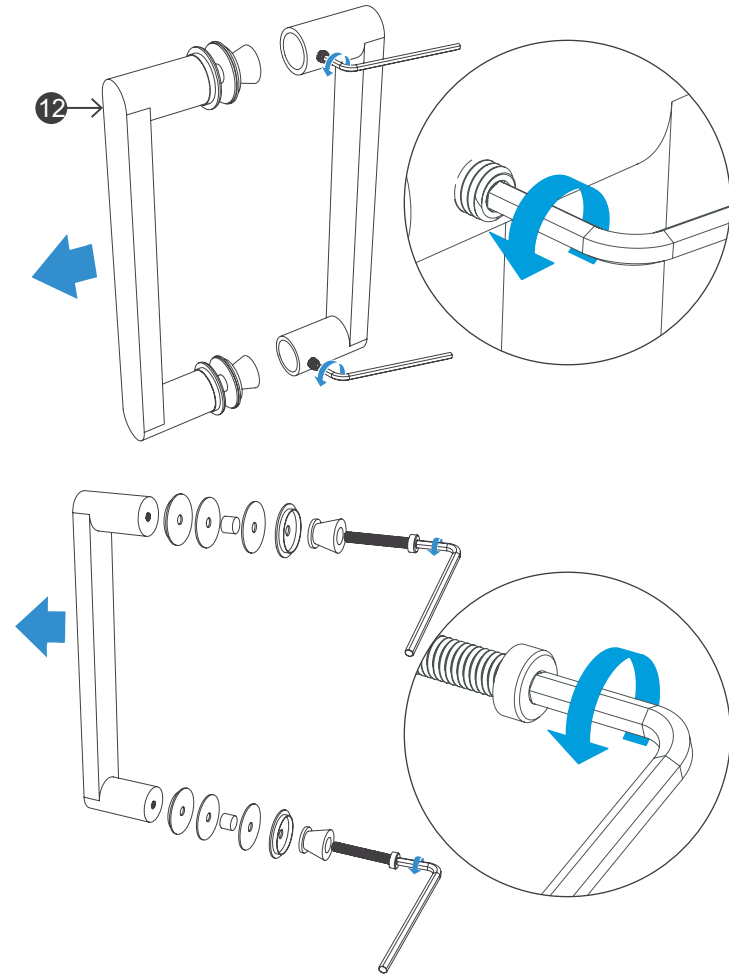
### STEP 23

Place the Threshold and Threshold End Cap on position on the curb and fasten the Threshold End Cap with the Screws ST4x25 . Place the Screw Cover in the hole on the Threshold End Cap .

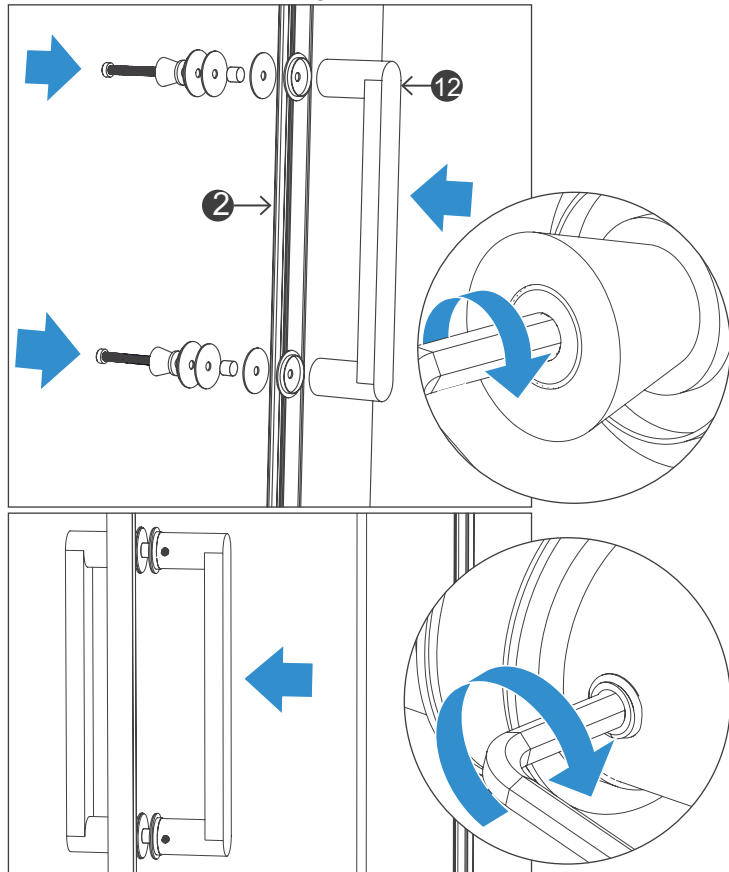


### STEP 24

Disassemble the Handle .

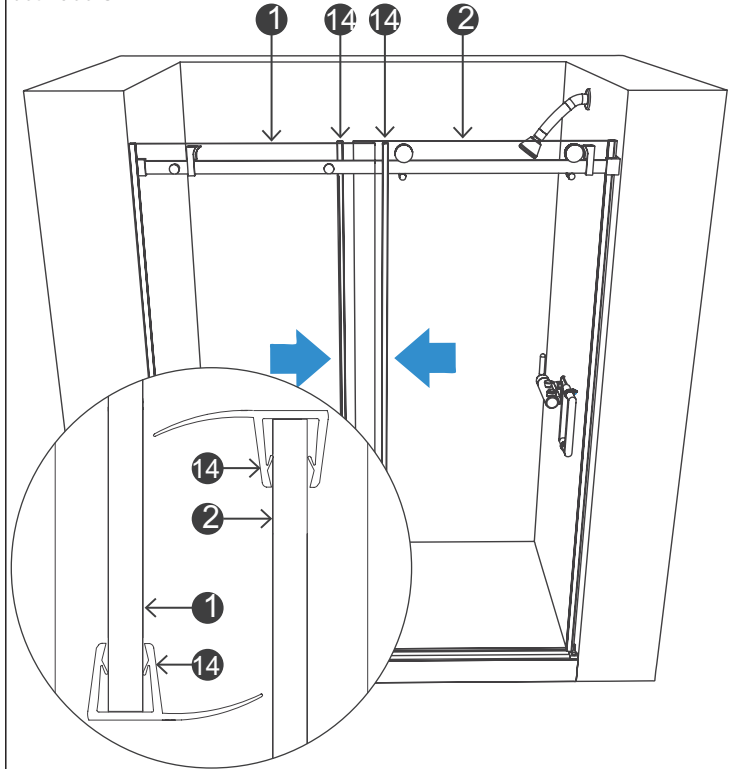


Attach the Handle on the Sliding Door .



### STEP 25

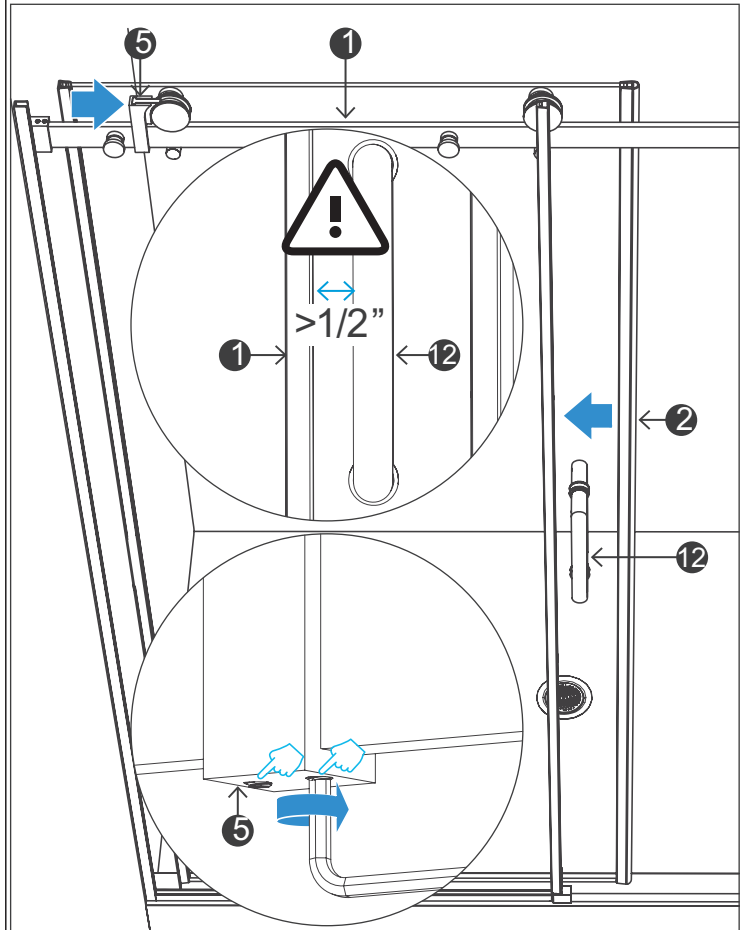
Place the "U" Seal With 90 Degree Vinyl Fin onto the vertical edges of both doors.

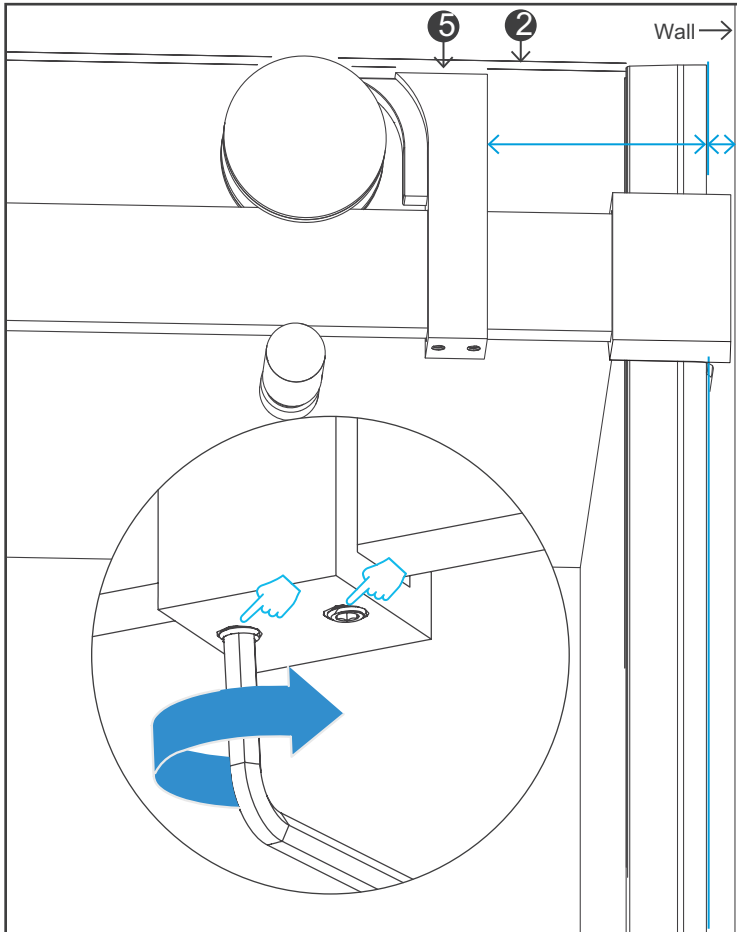


### STEP 26

The door Stoppers must be positioned correctly to prevent the Handle from contacting the Fixed Door and to stop the Sliding Door in a position that allows the "U" Seal with Bulb Attachment to create a seal with the wall, but does not allow the Sliding Door to collide into the wall during normal operation.

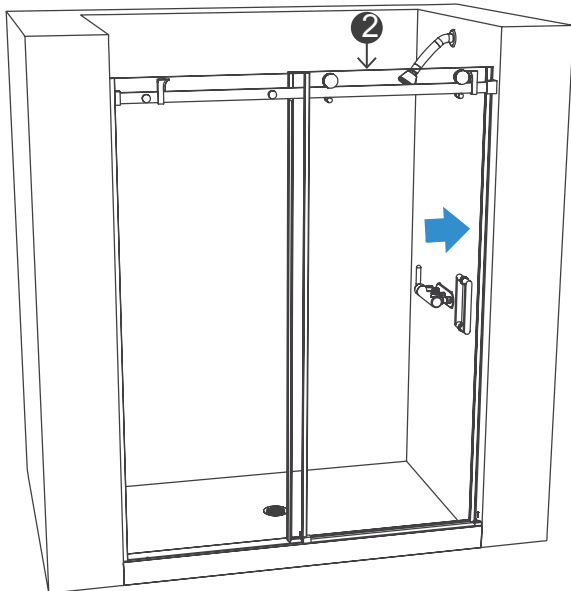
Observe the correct position of these stoppers and re-position if necessary.



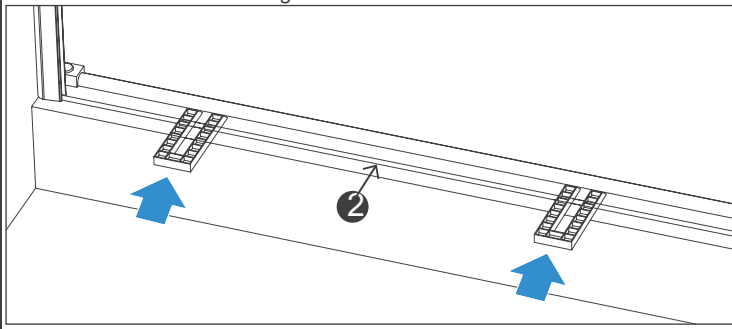


**STEP 27**

Adjust vertical Sliding Door to wall alignment. Move the Sliding Door to closed position.

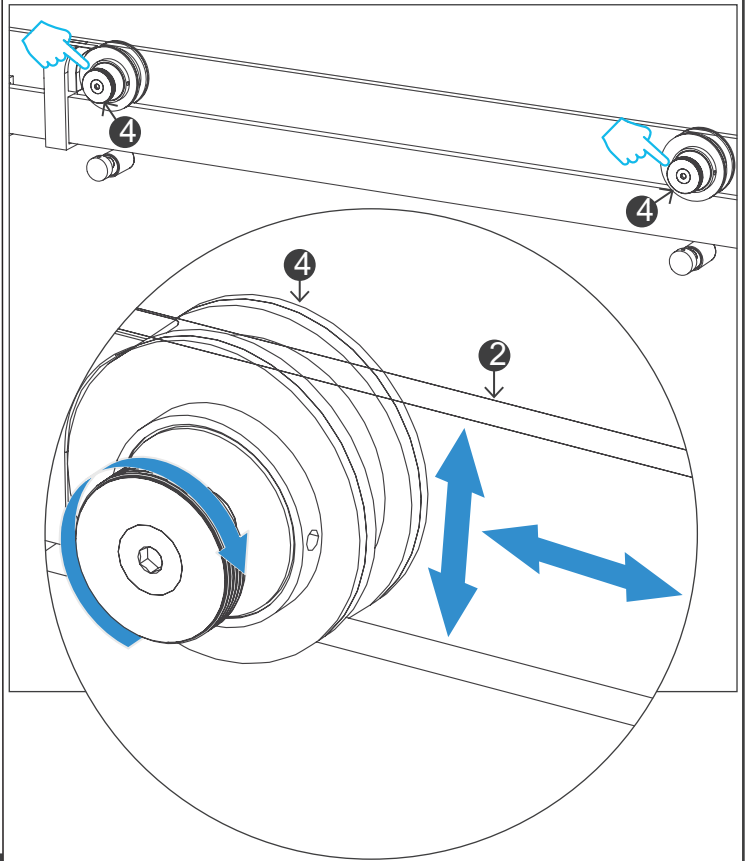


Place shims under the Sliding Door .



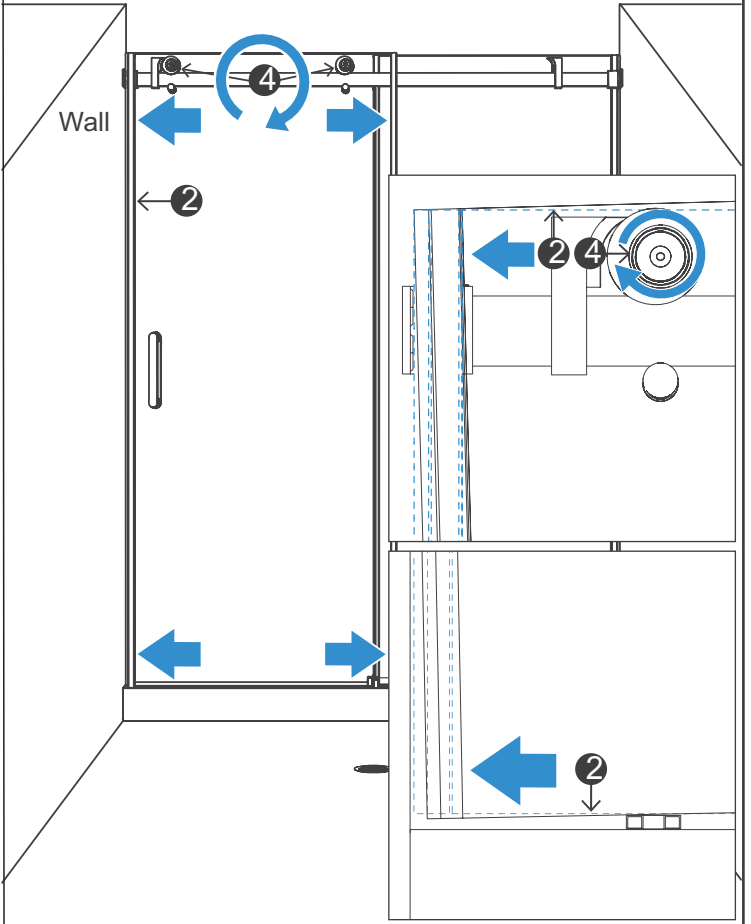
**STEP 28**

The adjustment disc in the Adjustable Gliding Wheels can be rotated to adjust the Sliding Door to create a seal with the wall.



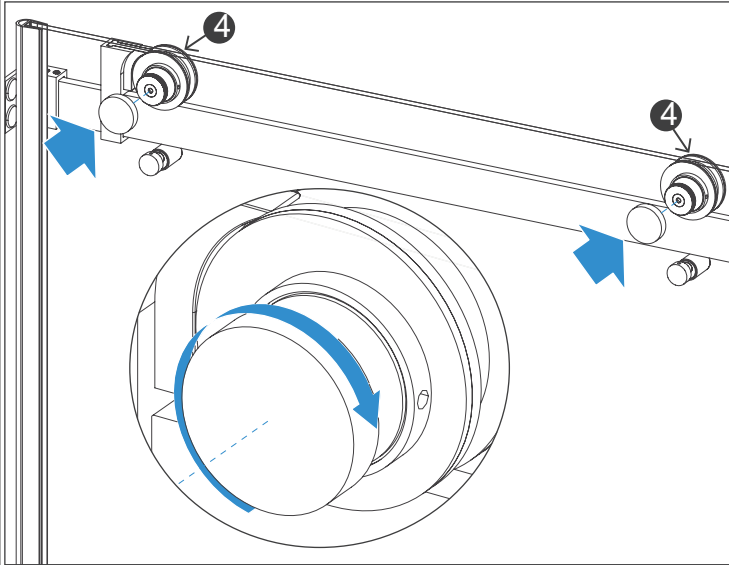
Align the Sliding Door tightly to the wall.

Note: Raise the Sliding Door if the Door Guide prevents the Sliding Door from sliding effortlessly.

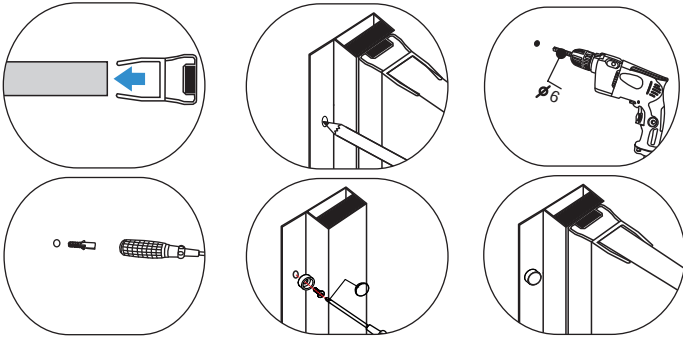


## STEP 29

Screw back the cover on each Adjustable Gliding Wheels .



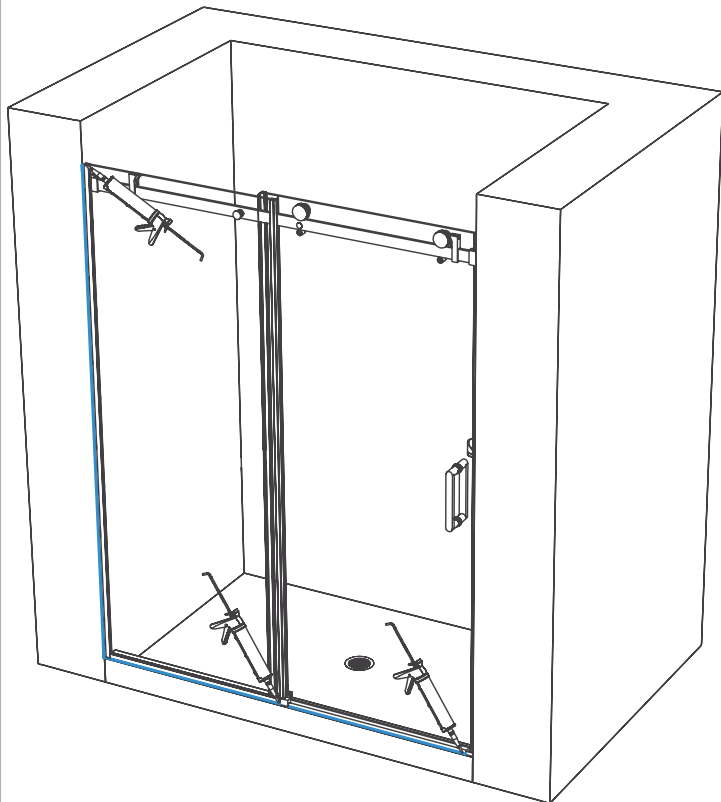
Final step to align the "U" Seal with Bulb Attachment to have tight water seal to the wall.



## STEP 28

Apply a good quality mildew-resistant silicone along the connection of the Fixed Door with the walls and the Threshold .

NOTE: Allow 24 hours for the silicone to fully cure before using the shower.



## Product Maintenance

**Glass:** To ensure long, lasting glass of your shower product, prevent residue buildup and water spots. Wipe the glass after every use with non-abrasive materials such as soft cloth, sponge, or squeegee. Regularly clean glass with non-abrasive cleaner use mild cleaning solution mixed with warm water. Rinse and wipe the surface after cleaning. Avoid using cleaning products containing any of the following chemicals.

- Naphtha
- Hydrogen Peroxide Solution (common household peroxide)
- Toluene
- Ethyl Acetate
- Lye (common in drain cleaner)
- Acetone

**Hardware:**

To ensure long, lasting hardware finish, wipe of the metal parts after each use with non-abrasive materials such as soft cloth or sponge. Do not use abrasive cleaning products or any products containing ammonia, acid, or bleach. Rinse and wipe the surface after cleaning.

**Note:** To improve longevity of your shower or tub door, it is important to inspect glass and hardware regularly for any misalignments, proper attachments, vinyl strips, and silicone condition. Contact Seawin for any help with your product.