

Eoslift

Scissor Lift Cart

TA



Eoslift

Eoslift Automation Technology Corp.
No.99, Yanjia Road, Yuantong Town, Haiyan, Zhejiang
Province, China 314317
Tel: +86 573 8622 9999
Fax: +86 573 8622 2900
info@eoslift.com
www.eoslift.com

Hotline: 400-626-9090

Eoslift USA Corporation
1590 S. Milliken Avenue, Unit H, Ontario, California 91761
Tel: +1-888-264-5008
Fax: +1-781-780-5915
sales@eoslift.us
www.eoslift.us

Product features



Ideal for various applications

- The simplicity and compactness of carts make them suitable for lifting and transporting loads, order-picking, die-handling and assembly operations
- An ergonomic solution to lifting, positioning and transporting

Reliable & Stable

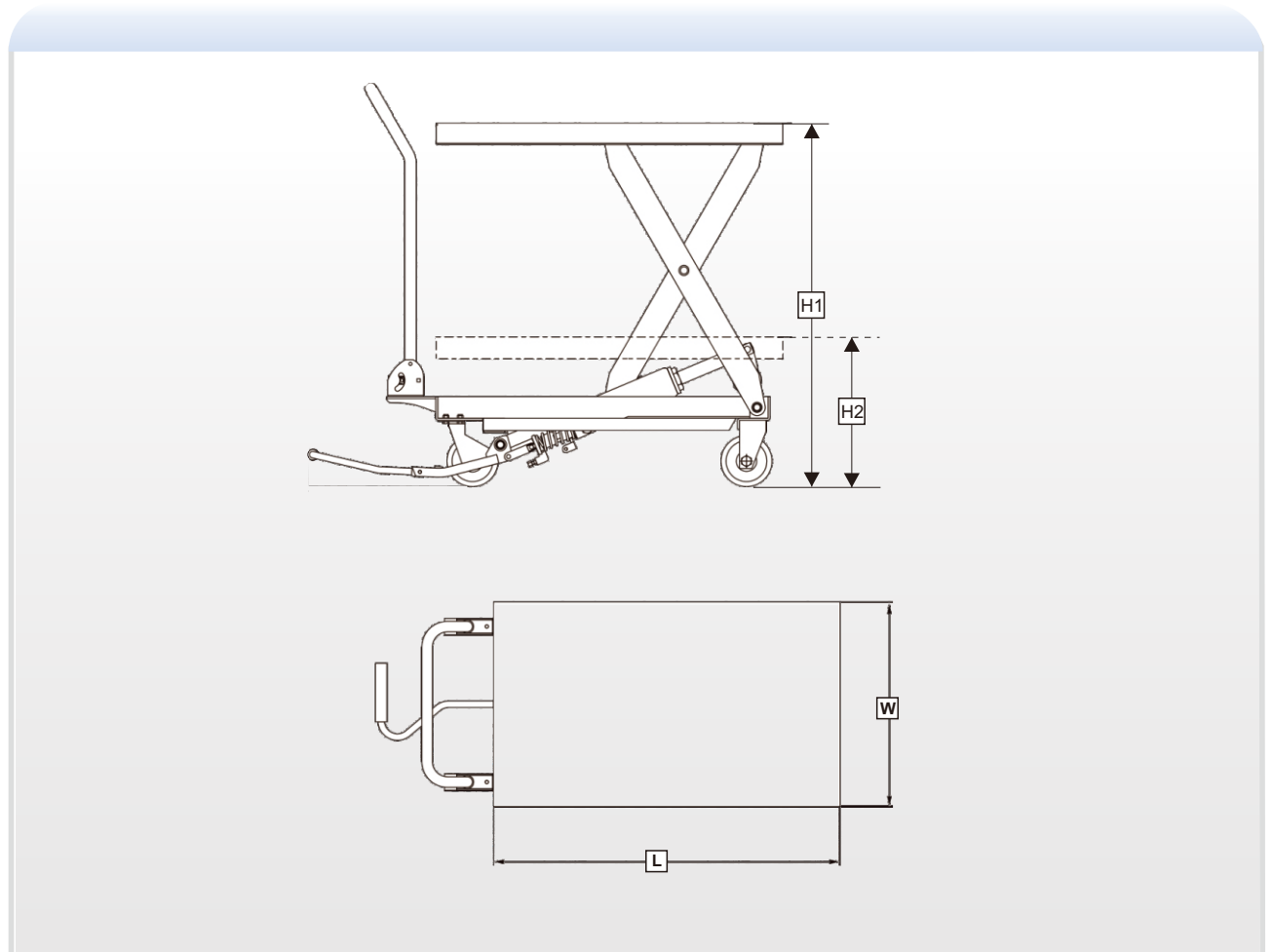
- Over loaded valve design to prevent from misuse of the truck and reduce the maintenance cost
- Each cylinder is equipped with an internal hydraulic velocity fuse
- The heavy duty steel construction is engineered to put up with tough environments
- Two rigid front castors and two rear swivel (with brake) are more maneuverable in tight areas

Safety & Comfort

- Safety stops minimize the risk of an empty deck from lowering while performing maintenance
- Diminish worker bending and lifting, which reduces risk of injury
- Raise and lower the deck with minimum pains and strain

General Information						
Model		TA15	TA30	TA50	TA70	TAD35
Rated Capacity	lb.	330	660	1100	1540	770
Service Weight	lb.	90.2	171.6	259.6	264	330

Size						
Caster Type		PU				
Table Size	W L in.	17.7x27.6	19.7x32.1	20.5x39.8	20.5x39.8	20.5x39.8
Lowered Height	H2 in.	10.2	12.5	17	16.6	17.1
Raised Height	H1 in.	29.7	35.8	39.4	39.4	62.4
Caster Size	in.	Φ3.9	Φ4.9	Φ5.9	Φ5.9	Φ5.9
Lift Time	strokes	16	25	44	55	53
Lift Type		Single Scissor				Double Scissor



* The manufacturer has the right to change the design and specification of products. The improvement of technical parameter or configuration will be amended at any time without prior notice.*