



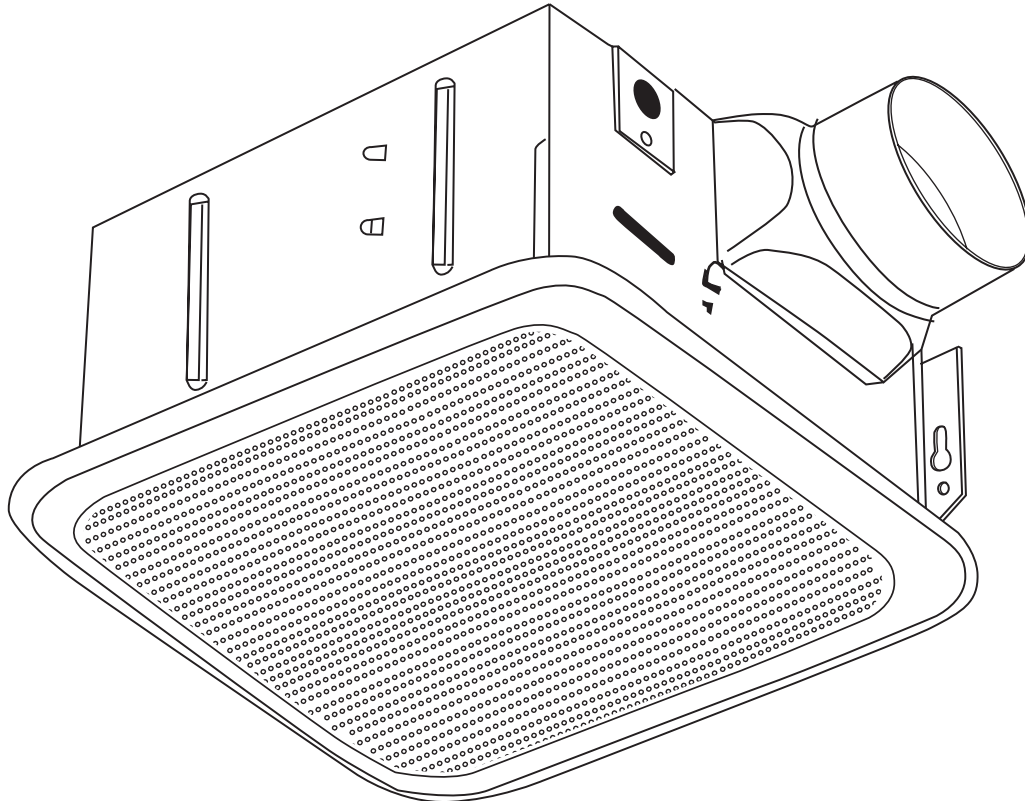
Home NetWerks

SIMPLE SOLUTIONS FOR A SMARTER HOME™

# VENTILATING BATH FAN WITH BLUETOOTH® SPEAKER

MODEL #7130-04-BT

Español p. 13



The BLUETOOTH® word mark and logos are registered trademarks owned by BLUETOOTH SIG, Inc. and any use of the said mark by Homewerks Worldwide is under license. Other trademark and trade names are those of their respective owners.



**Questions, problems, missing parts?** Before returning to your retailer, call our customer service department at 1-877-319-3757, 8 a.m. - 5 p.m., CST, Monday - Friday.

**READ AND SAVE THESE INSTRUCTIONS**

## TABLE OF CONTENTS

---

Product Specifications .....	2
Package Contents .....	3
Safety Information .....	4
Preparation .....	5
New Construction Assembly Instructions .....	6
Existing Construction Assembly Instructions .....	8
Pairing BLUETOOTH® Device to Speaker .....	10
Care and Maintenance .....	10
Troubleshooting .....	12
Warranty .....	12

## PRODUCT SPECIFICATIONS

---

SPECIFICATIONS
Airflow: 70 CFM
120 V, 60 Hz
Duct diameter: 4 in.
Sound output: 1.5 Sones

SPECIFICATIONS
Power consumption: 10.5 W
Exhaust fan speed: 1150 RPM
Weight: 5.952 lbs.

## FCC COMPLIANCE

---

This equipment complies with FCC RF radiation exposure limits set forth for an uncontrolled environment.

This device complies with part 15 of the FCC rules. Operation is subject to the following two conditions: (1) this device may not cause harmful interference, and (2) this device must accept any interference received, including interference that may cause undesired operation.

**NOTE:** The manufacturer is not responsible for any radio or TV interference caused by unauthorized modifications or changes to this equipment. Such modifications or changes could void the user's authority to operate the equipment.

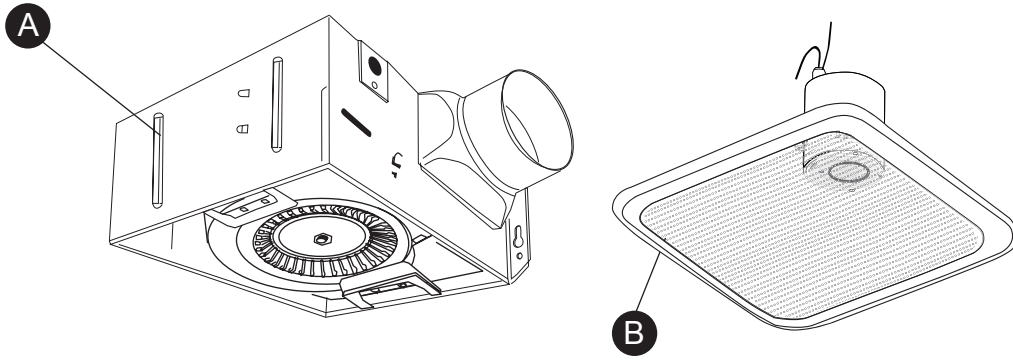
**NOTE:** This equipment has been tested and found to comply with the limits for a Class B digital device, pursuant to part 15 of the FCC Rules. These limits are designed to provide reasonable protection against harmful interference in a residential installation. This

equipment generates uses and can radiate radio frequency energy and, if not installed and used in accordance with the instructions, may cause harmful interference to radio communications. However, there is no guarantee that interference will not occur in a particular installation. If this equipment does cause harmful interference to radio or television reception, which can be determined by turning the equipment off and on, the user is encouraged to try to correct the interference by one or more of the following measures:

- Reorient or relocate the receiving antenna.
- Increase the separation between the equipment and receiver.
- Connect the equipment into an outlet on a circuit different from that to which the receiver is connected.
- Consult the dealer or an experienced radio/TV technician for help.

## PACKAGE CONTENTS

---

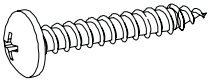


PART	DESCRIPTION	QUANTITY
A	Fan body	1
B	Grille with speaker	1

## HARDWARE CONTENTS (shown actual size)

---

AA



Long Wood  
Screw

Qty. 8



## **SAFETY INFORMATION**

---

Please read and understand this entire manual before attempting to assemble, operate or install the product.

1. Always disconnect the power supply prior to servicing the fan, motor or junction box.
2. Installation work must be carried out by a qualified person(s) in accordance to all local and safety codes including the rules for fire-rated construction.
3. Follow all local building, safety and electrical codes as well as NEC (National Electrical Code) and OSHA (Occupational Safety and Health Act).
4. Electric service supply must be 120 volts, 60 hertz.
5. This unit must be properly grounded.
6. Do not bend or kink the power wires.
7. Exercise care to not damage existing wiring when cutting or drilling into walls or ceilings.
8. Sufficient air supply is required for proper combustion and the exhaustion of gases through the chimney (flue) of fuel burning equipment to prevent back-drafting. See the standards of NFPA (National Fire Protection Association) and ASHRAE (American Society for Heating Refrigeration and Air Conditioning Engineers) and the local building code authorities.
9. Do not use this fan with any solid state control device, such as a remote control, dimmer switch, or certain timers. Mechanical timers are not solid state devices.
10. This ventilation fan is approved for use over a bathtub or shower when installed in a GFCI protected circuit. Do not use fans over a bathtub or shower that are not approved for that application and marked accordingly.
11. Do not install in a cooking area.
12. Do not use to exhaust hazardous or explosive vapors.
13. Fans should always be vented to the exterior and in compliance with local codes.
14. Do not install in a ceiling with insulation greater than R42.
15. Duct work should be installed in a straight line with minimal bends.
16. Duct work size must be the same size as the discharge and should not be reduced. Reducing the duct size may increase fan noise.
17. Prior to service or cleaning this unit, shut off power supply at the panel and lock to prevent the power from being turned on. If the panel cannot be locked, clearly mark the panel with a warning tag to prevent the power from being turned on.
18. Use this unit in the manner intended by the manufacturer. If you have any questions, please call customer service.
19. The fan is intended to be mounted at least 7.6 ft. above the floor.

## PREPARATION

Before beginning assembly of product, make sure all parts are present. Compare parts with package contents list and hardware contents list. If any part is missing or damaged, do not attempt to assemble the product.

Tools Required for Assembly (not included): Hammer, Drill Bits, Flathead Screwdriver, Wire Nuts, Nails, Duct Tape, Phillips Screwdriver, Utility Knife

Helpful Tools (not included): Electric Drill, Wood Screws

**WARNING: Turn off electricity at breaker box before beginning installation.**

Carefully remove unit from carton.

Check area above installation location to be sure that wiring can run to the planned location and that duct work can be run and the area is sufficient for proper ventilation.

Inspect duct work and wiring before proceeding with installation.

Before installation, provide inspection and future maintenance access at a location that will not interfere with installation work.

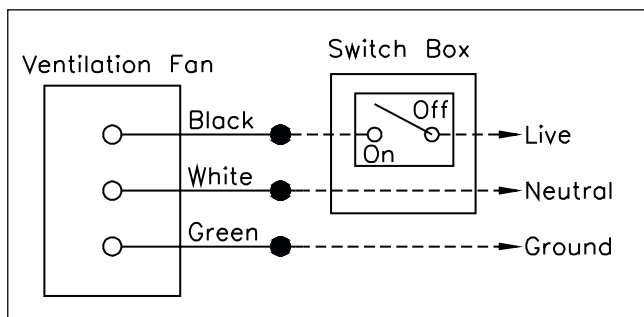
You may need the help of a second person to install this fan; one person on the attic side and one on the room side.

Note: Installations may vary depending on how the previous bath fan was installed. Supplies necessary for the installation of your bath fan are not all included; however, most are available at your local home improvement or hardware store.

## DIMENSION REQUIREMENTS

Ceiling Opening (L)	Ceiling Opening (W)	Ceiling Opening (H)
7-1/2 in.	7-5/32 in.	7 in.

## WIRING DIAGRAM



# NEW CONSTRUCTION ASSEMBLY INSTRUCTIONS

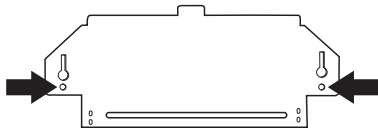
## NEW CONSTRUCTION – ATTACHING TO THE JOIST

### BEFORE INSTALLATION

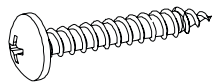
Turn off power source. Review all safety precautions.

1. Place the fan body (A) next to a ceiling joist or wall stud. The fan housing should be level and perpendicular to the joist or stud. Allow for thickness of ceiling board used in your application. **DO NOT** flush mount to joist. Bottom of fan (A) should be flush with ceiling board.

2. Mount fan body to the joist or stud using long wood screws (AA) where indicated by arrows outside fan body (A).



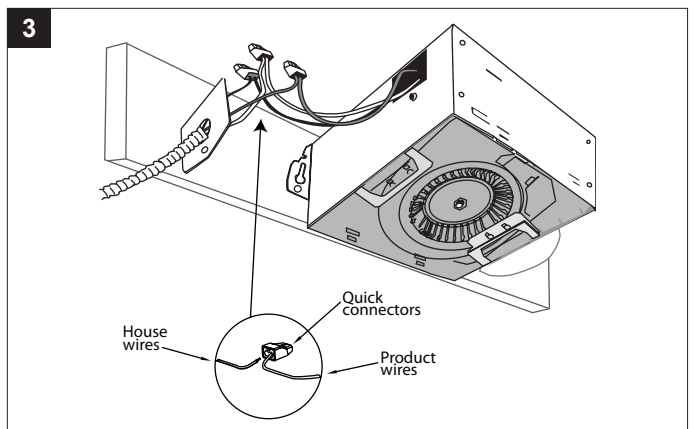
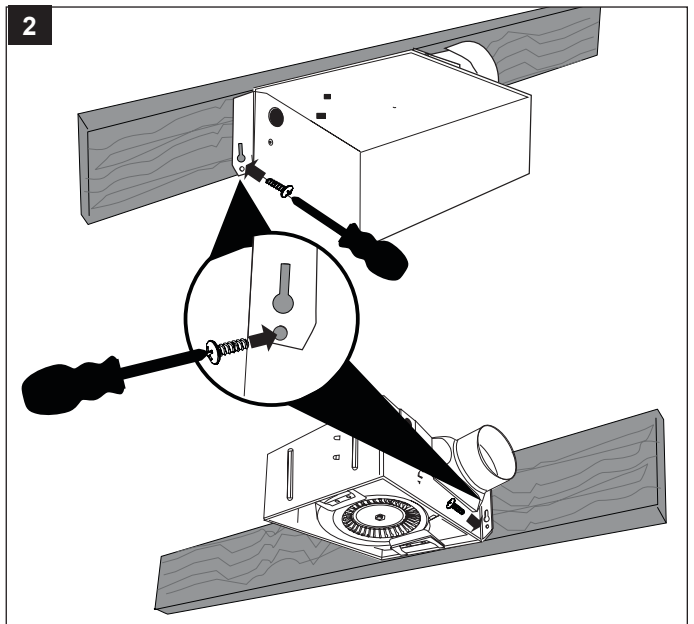
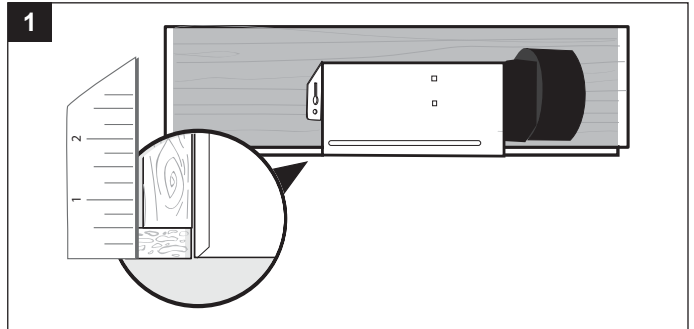
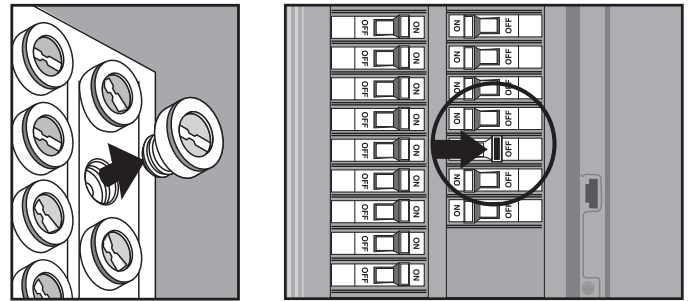
### Hardware Used

- AA Long wood screws  x 2

3. Pull wire through hole and into junction box (not included). Using quick connector, secure 120-volt AC house wiring from wall switch to fan as shown in wiring diagram on page 5.

Note: 12 AWG is the minimum conductor to be used for branch-circuit wiring.

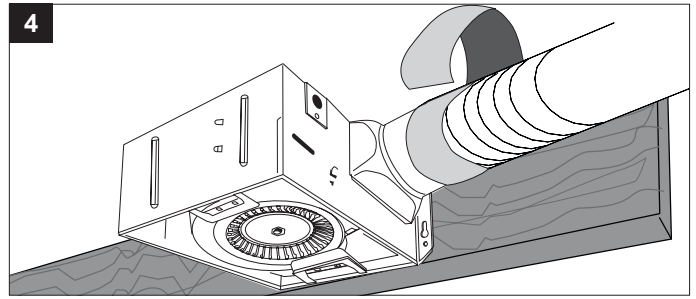
**CAUTION:** If your electrical wires do not match the colors listed, you must determine what each house wire represents before connecting. You may need to consult an electrical contractor to determine safely.



## NEW CONSTRUCTION ASSEMBLY INSTRUCTIONS

4. Install a circular 4 in. duct (not included) and secure it with duct tape or clamps (neither included).

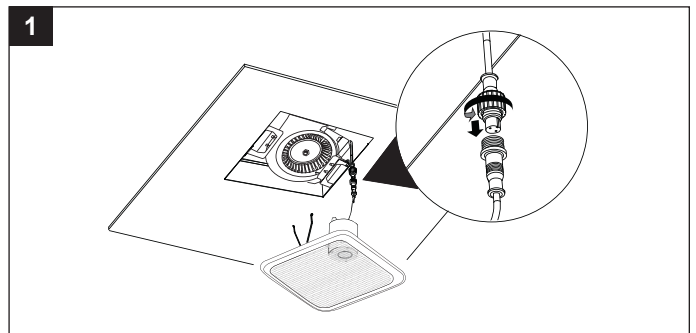
Finish ceiling work. Ceiling hole should be aligned with edge of fan body (A).



## BLUETOOTH® SPEAKER FAN GRILLE INSTALLATION

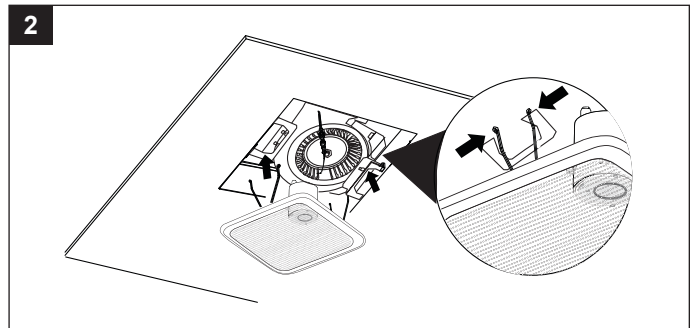
Housing must be installed flush with ceiling board or the grille mounting spring will not be long enough to insert into the slots inside the fan housing.

1. Join the connectors for the BLUETOOTH® speaker and power adapter.



2. Attach grille by pinching mounting springs and insert into narrow rectangular slots in the fan housing.

Turn on power source.



## PAIRING YOUR BLUETOOTH® DEVICE TO THE SPEAKER

1. Turn ON bath fan.
2. To play your personal music files, you need a wireless BLUETOOTH® device.
3. Set your device to a midrange volume before connecting to the speaker.
4. Follow the instructions that came with your BLUETOOTH® device to make it discoverable or to set it to search for other BLUETOOTH® accessories. This may involve entering a passkey or PIN (Personal Identification Number).
5. From the Home screen, choose Settings > BLUETOOTH®, the device searches for HomeWerks® speaker.

Note: While your device can maintain multiple pairing records, it can only connect to one accessory at a time. This prevents your device from sending your data to the wrong BLUETOOTH® accessory.

6. Choose the HomeWerks® speaker, and then enter a passkey or PIN (0000) if prompted.
7. When pairing is complete, you can use the BLUETOOTH® speaker to play audio with your device.
8. Optimal volume setting for the BLUETOOTH® speaker is 70% or lower. Settings higher than 70% may cause sound distortion.

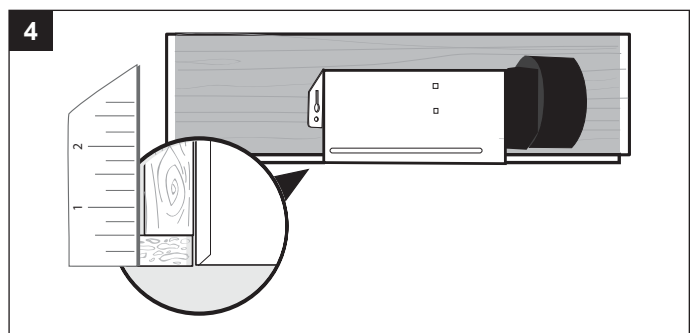
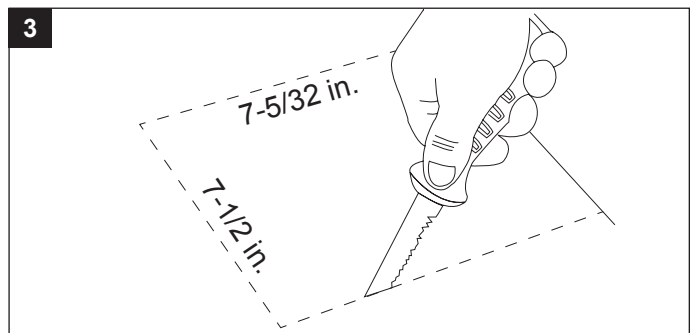
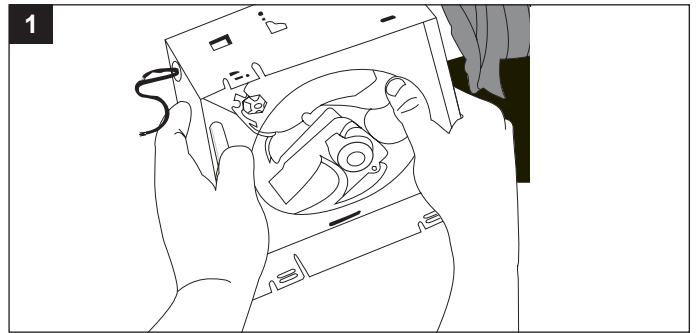
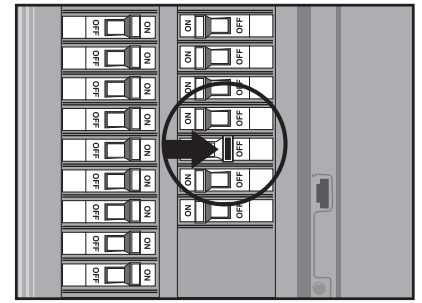
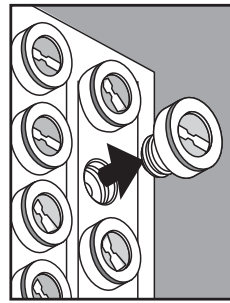
## EXISTING CONSTRUCTION ASSEMBLY INSTRUCTIONS

Installing the fan body in an existing building **REQUIRES AN ACCESSIBLE AREA** (attic or crawl space) above the planned installation location and existing duct and wiring.

### BEFORE INSTALLATION

Turn off power source. Review all safety precautions.

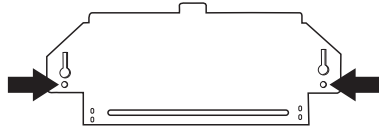
1. Remove existing fan.
2. Measure the opening to ensure it is large enough to accommodate the new fan body (A) (7-1/2 in. x 7-5/32 in.).
3. If this fan is not replacing an old fan, be sure to cut a 7-1/2 in. x 7-5/32 in. opening for the fan body (A).
4. Place the fan body (A) next to a ceiling joist or wall stud. The fan housing should be level and perpendicular to the joist or stud. Allow for thickness of ceiling board used in your application. **DO NOT** flush mount to joist. Bottom of fan (A) should be flush with ceiling board.



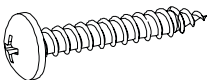


## EXISTING CONSTRUCTION ASSEMBLY INSTRUCTIONS

5. Mount fan body to the joist or stud using long wood screws (AA) where indicated by arrows outside fan body (A).



### Hardware Used

- AA Long wood screws  x 2

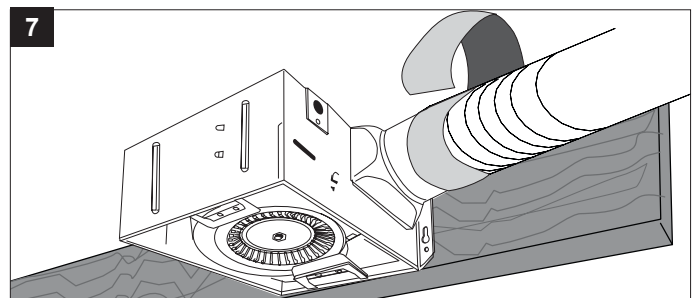
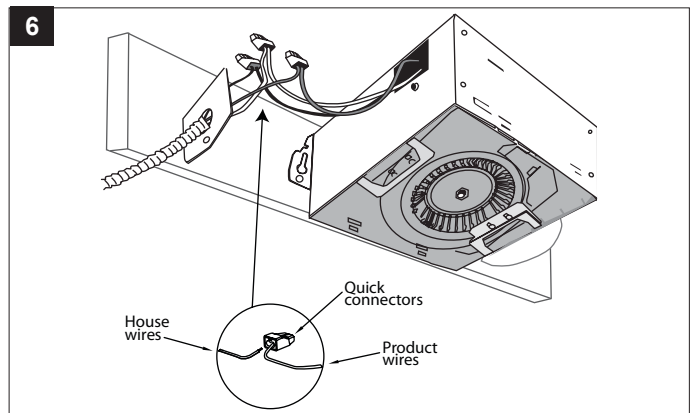
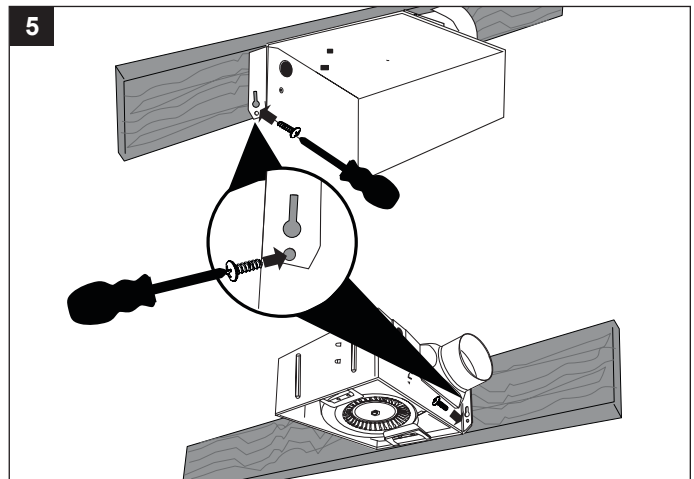
6. Pull wire through hole (5.1) and into junction box (not included). Using quick connector, secure 120-volt AC house wiring from wall switch to fan as shown in wiring diagram on page 5.

Note: 12 AWG is the minimum conductor to be used for branch-circuit wiring.

**CAUTION:** If your electrical wires do not match the colors listed, you must determine what each house wire represents before connecting. You may need to consult an electrical contractor to determine safely.

7. Install a circular 4 in. duct (not included) and secure it with duct tape or clamps (neither included).

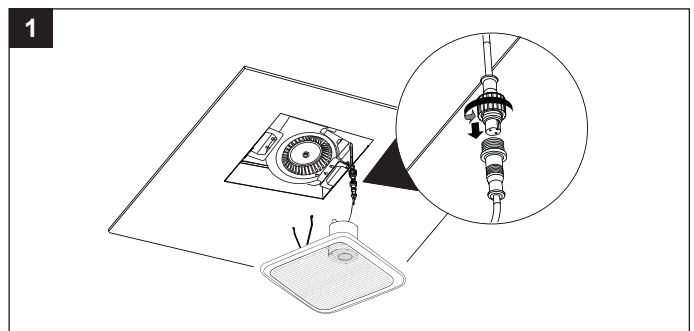
Finish ceiling work. Ceiling hole should be aligned with edge of fan body.



## BLUETOOTH® SPEAKER FAN GRILLE INSTALLATION

Housing must be installed flush with ceiling board or the grille mounting spring will not be long enough to insert into the slots inside the fan housing.

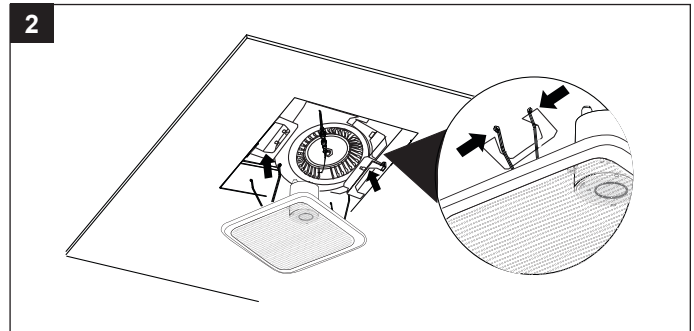
1. Join the connectors for the BLUETOOTH® speaker and power adapter.



## BLUETOOTH® SPEAKER FAN GRILLE INSTALLATION

2. Attach grille by pinching mounting springs and insert into narrow rectangular slots in the fan housing.

Turn on power source.



## PAIRING YOUR BLUETOOTH® DEVICE TO THE SPEAKER

1. Turn ON bath fan.
2. To play your personal music files, you need a wireless BLUETOOTH® device.
3. Set your device to a midrange volume before connecting to the speaker.
4. Follow the instructions that came with your BLUETOOTH® device to make it discoverable or to set it to search for other BLUETOOTH® accessories. This may involve entering a passkey or PIN (Personal Identification Number).
5. From the Home screen, choose Settings > BLUETOOTH®, the device searches for HomeWerks® speaker.

Note: While your device can maintain multiple pairing records, it can only connect to one accessory at a time. This prevents your device from sending your data to the wrong BLUETOOTH® accessory.

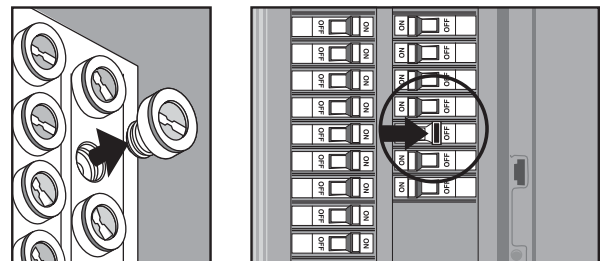
6. Choose the HomeWerks® speaker, and then enter a passkey or PIN (0000) if prompted.
7. When pairing is complete, you can use the BLUETOOTH® speaker to play audio with your device.
8. Optimal volume setting for the BLUETOOTH® speaker is 70% or lower. Settings higher than 70% may cause sound distortion.

## CARE AND MAINTENANCE

See safety information before proceeding. Routine maintenance should be done at least once a year.

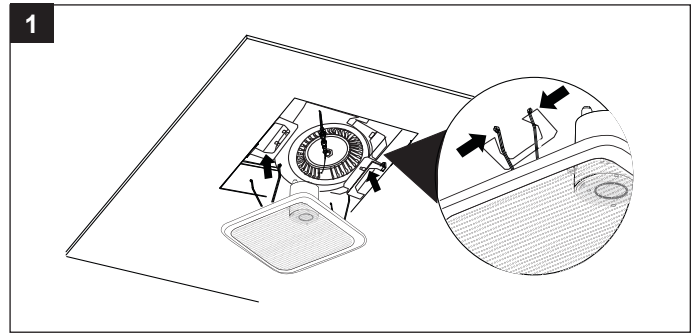
- Never use solvents, thinner or harsh chemicals for cleaning the fan.
- Do not allow water to enter the motor.
- Do not immerse metal parts in water.
- Do not immerse resin parts in water over 140 degrees Fahrenheit.
- Do not immerse BLUETOOTH® speaker in water

Turn off power source. Review all safety precautions.

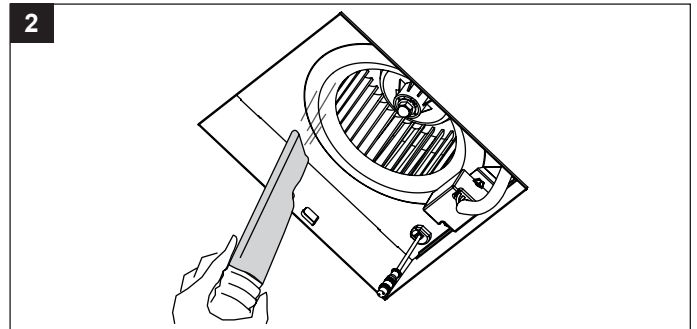


## CARE AND MAINTENANCE

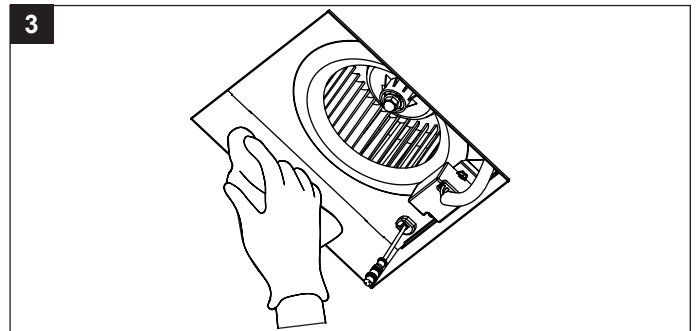
1. Remove grille by squeezing spring and pull down. Wipe grille with a damp cloth.



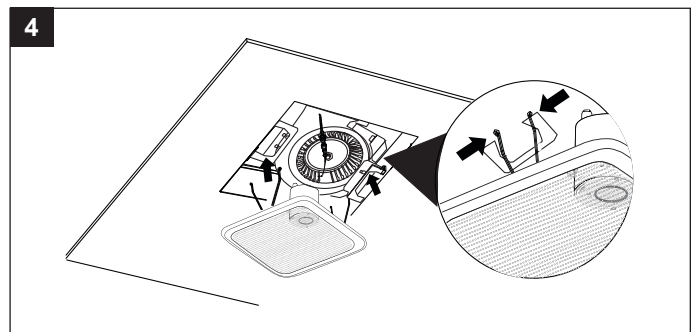
2. Remove dust and dirt from the fan housing with a vacuum cleaner.



3. Dampen cloth with dust detergent, wipe the fan housing and wipe dry with a cloth.



4. Replace the BLUETOOTH® speaker and grille.  
Turn on power source.



## TROUBLESHOOTING

PROBLEM	POSSIBLE CAUSE	CORRECTIVE ACTION
The fan seems louder than it should	CFM too great	Be sure the CFM rating on the fan matches the size of your room.
	Damper not working properly or damaged	Check damper to ensure it is opening and closing properly. If the damper has become damaged, please call Customer Service.
	Bend in duct too close to fan discharge	Be sure you do not have any sharp bends in duct closer than 18 in. to the fan discharge.
	Fan discharge reduced to fit smaller duct	Use recommended size ducting to reduce fan noise.
	Fan body not securely attached	Be sure the fan is securely attached to your ceiling joists.
The fan is not clearing the room	Insufficient intake airflow within room	Be sure a door or window is slightly ajar or opened to allow airflow. The fan is not able to draw air out of the room without enough airflow to draw from.
	Insufficient CFM	Be sure the CFM rating on the fan matches the requirements for your room size.  NOTE: Using a tissue is not an accurate method for determining if the fan is operating properly. If the fan clears steam from the room within approximately 15 minutes of completing your shower, then the fan is operating properly.

## FAN – LIMITED 3-YEAR WARRANTY

If the fan fails due to a defect in materials or workmanship at any time during the first THREE years of ownership, the manufacturer will replace it free of charge, postage-paid at their option. This warranty does not cover products that have been abused, altered, damaged, misused, cut or worn. This warranty does not cover use in commercial applications. Use only manufacturer-supplied genuine warranty repair replacement parts to repair this fan. Use of non-genuine repair parts will void your warranty. The manufacturer DISCLAIMS all other implied or express warranties including all warranties of merchantability and/or fitness for a particular purpose. As some states do not allow exclusions or limitations on an implied warranty, the above exclusions and limitations may not apply. This warranty gives you specific legal rights, and you may have other rights that vary from state to state.

This warranty is limited to the replacement of defective parts only. Labor charges and/or damage incurred during installation, repair, replacement as well as incidental and consequential damages connected with the above are excluded. Any damage to this product as a result of neglect, misuse, accident, improper installation or use other than the purpose SHALL VOID THIS WARRANTY.

Shipping costs for return product as part of a claim on the warranty must be paid for by the customer.

Inquiries regarding warranty claims can be directed to 1-877-319-3757, 8 a.m. - 5 p.m., CST, Monday - Friday.

## BLUETOOTH® SPEAKER – LIMITED 1-YEAR WARRANTY

If the BLUETOOTH® speaker fails due to a defect in materials or workmanship at any time during the first year of ownership, the manufacturer will replace it free of charge, postage-paid at their option. This warranty does not cover products that have been abused, altered, damaged, misused, cut or worn. This warranty does not cover use in commercial applications. Use only manufacturer-supplied genuine warranty repair replacement parts to repair this fan. Use of non-genuine repair parts will void your warranty. The manufacturer DISCLAIMS all other implied or express warranties including all warranties of merchantability and/or fitness for a particular purpose. As some states do not allow exclusions or limitations on an implied warranty, the above exclusions and limitations may not apply. This warranty gives you specific legal rights, and you may have other rights that vary from state to state.

This warranty is limited to the replacement of defective parts only. Labor charges and/or damage incurred during installation, repair, replacement as well as incidental and consequential damages connected with the above are excluded. Any damage to this product as a result of neglect, misuse, accident, improper installation or use other than the purpose SHALL VOID THIS WARRANTY.

Shipping costs for return product as part of a claim on the warranty must be paid for by the customer.

Inquiries regarding warranty claims can be directed to 1-877-319-3757, 8 a.m. - 5 p.m., CST, Monday - Friday.

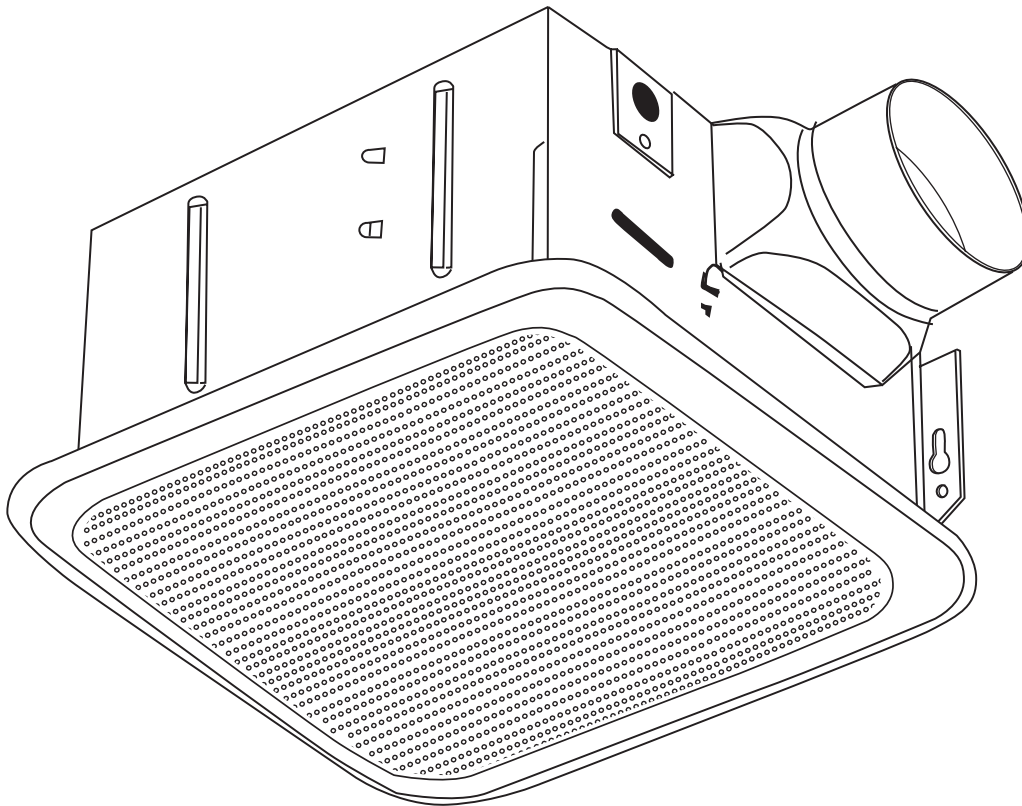


Home NetWerks

SIMPLE SOLUTIONS FOR A SMARTER HOME™

# VENTILACIÓN DEL VENTILADOR DE BAÑO CON BLUETOOTH® ALTAVOZ

MODELO #7130-04-BT



La marca BLUETOOTH® y sus logotipos son marcas comerciales registradas propiedad de Bluetooth SIG, Inc. y cualquier uso de dicha marca por Homewerks Worldwide es bajo licencia. Otros nombres de marcas y el comercio son de sus respectivos propietarios.



**¿Preguntas, problemas, piezas faltantes?** Las preguntas relacionadas con reclamos de la garantía pueden realizarse al 1-877-319-3757, de 8 a. m. a 5 p. m., hora central estándar, de lunes a viernes.

**LEA Y GUARDE ESTAS INSTRUCCIONES**

## TABLA DE CONTENIDO

Especificaciones del producto .....	14
Contenido del paquete .....	15
Información de seguridad .....	16
Preparación .....	17
Instrucciones de Nueva Asamblea Construcción .....	18
Existentes Instrucciones Asamblea Construcción .....	20
Reistro del Dispositivo BLUETOOTH® al Altavoz .....	22
Cuidado y mantenimiento .....	22
Solución de problemas .....	24
Garantía .....	24

## ESPECIFICACIONES DEL PRODUCTO

ESPECIFICACIONES	ESPECIFICACIONES
Flujo de aire: 70 CFM	Consumo eléctrico motor 10.5 W
120V, 60Hz	Velocidad del extractor: 1150 RPM
Diámetro del conducto: 7,62 cm	Peso: 2,7 kg.
Potencia de sonido: 1.5 sonios	

## FCC CONFORMIDAD

Este equipo cumple con los límites de exposición de radiación RF de la FCC establecidos para un entorno no controlado.

Este dispositivo cumple con la parte 15 de las normas FCC. La operación está sujeta a las siguientes dos condiciones: (1) este dispositivo no puede causar interferencias perjudiciales y (2) este dispositivo debe aceptar cualquier interferencia recibida, incluyendo interferencias que puedan causar un funcionamiento no deseado.

**NOTA:** El fabricante no es responsable de ninguna interferencia de radio o televisión ocasionada por modificaciones o cambios no autorizados a este equipo. Tales modificaciones o cambios podrían anular la autoridad del usuario para operar el equipo.

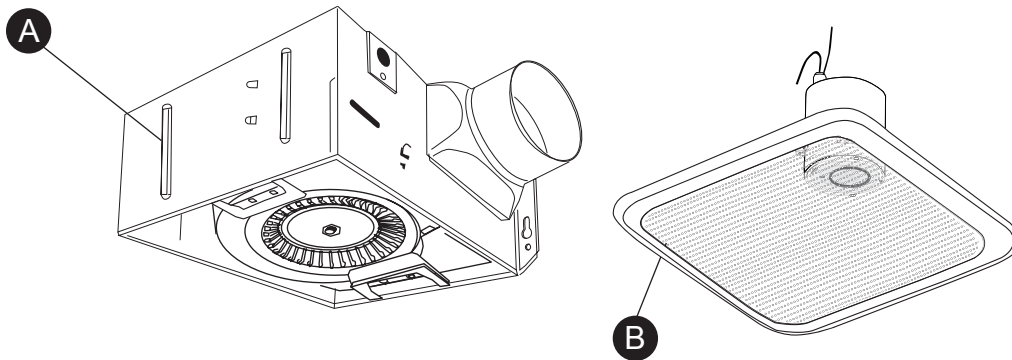
**NOTA:** Este equipo ha sido probado y cumple con los límites para un dispositivo digital de Clase B, según la Parte 15 de la normativa FCC. Estos límites están diseñados para proporcionar una protección razonable contra las interferencias perjudiciales en una instalación residencial. Este equipo genera, utiliza y puede

irradiar energía de radiofrecuencia y, si no se instala y utiliza de acuerdo con las instrucciones, puede causar interferencias perjudiciales en las comunicaciones de radio. Sin embargo, no hay garantía de que no se produzcan interferencias en una instalación en particular. Si este equipo causa interferencias perjudiciales en la recepción de radio o televisión, lo cual puede determinarse apagándolo y encendiéndolo, se recomienda al usuario que intente corregir la interferencia mediante una o más de las siguientes medidas:

- Reorientar o reubicar la antena receptora.
- Aumentar la separación entre el equipo y el receptor.
- Conectar el equipo a un tomacorriente en un circuito diferente de aquel al que está conectado el receptor.
- Consulte al distribuidor o a un técnico de radio/televisión para obtener ayuda.

## CONTENIDO DEL PAQUETE

---

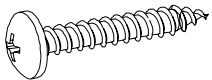


PIEZA	DESCRIPCIÓN	CANTIDAD
A	Fan cuerpo	1
B	Rejilla con el altavoz	1

## ADITAMENTOS (no es el tamaño real)

---

AA



Largo Tornillo de  
Madera  
Qty. 8



## INFORMACIÓN DE SEGURIDAD

---

Lea y comprenda completamente este manual antes de intentar ensamblar, usar o instalar el producto.

1. Desconecte siempre el suministro de electricidad antes de realizar tareas de mantenimiento en el ventilador, el motor o la caja de unión.
2. El trabajo de instalación debe estar a cargo de personas calificadas, de acuerdo con todos los códigos locales y de seguridad, incluidas las normas para fabricación con resistencia al fuego.
3. Respete todos los códigos locales eléctricos y de seguridad del edificio, además del Código nacional de electricidad (NEC, por sus siglas en inglés) y el de la Administración de Salud y Seguridad Ocupacional (OSHA, por sus siglas en inglés).
4. El suministro de energía eléctrica debe ser de 120 V 60 Hz.
5. Esta unidad debe tener una conexión a tierra adecuada.
6. No doble ni pliegue los conductores de fuerza.
7. Cuando corte o taladre las paredes o el techo, tenga cuidado de no dañar el cableado eléctrico existente.
8. Es necesario un suministro de aire adecuado para que se produzca una combustión apropiada y la extracción de gases a través de chimeneas (tiro) del equipo de combustión para evitar la explosión de flujo de aire en retroceso. Consulte las normas de la Asociación Nacional de Protección contra Incendios (NFPA, por sus siglas en inglés), la Sociedad Americana de Ingenieros para Calefacción, Refrigeración y Aire Acondicionado (ASHRAE, por sus siglas en inglés) y las autoridades del código de construcción local.
9. No use este ventilador con dispositivos de control de estado sólido, por ejemplo, un control remoto, un regulador de intensidad o determinados temporizadores. Los temporizadores mecánicos no son dispositivos de estado sólido.
10. Este ventilador está aprobado para su uso sobre bañeras o duchas cuando se instala con un interruptor de circuitos de falla de conexión a tierra (GFCI, por sus siglas en inglés). No use ventiladores sobre bañeras o duchas que no estén aprobadas ni marcadas para dicha aplicación.
11. No lo instale en áreas de cocina.
12. No lo use para extraer vapores peligrosos o explosivos.
13. Los ventiladores deben contar siempre con una salida al exterior y que cumpla con los códigos locales.
14. No instale en un techo con aislamiento superior a R42.
15. Los componentes para conductos se deben instalar en línea recta, con el mínimo de dobleces.
16. El tamaño de los componentes para conductos debe representar el mismo tamaño de la descarga y no se debe reducir. Puede reducir el tamaño del conducto, pero los tamaños menores pueden incrementar el ruido del ventilador.
17. Antes de realizar tareas de mantenimiento o limpiar la unidad, corte el suministro de electricidad en el panel y bloquéelo a fin de impedir la activación de la alimentación. Si no puede bloquear el panel, márquelo claramente con una etiqueta de advertencia para evitar que otros conecten la alimentación.
18. Use esta unidad solo de la manera prevista por el fabricante. Si tiene preguntas, llame al fabricante (al número del Servicio al Cliente que aparece en la primera página).
19. El ventilador está destinado a ser montado, al menos, 2,1 metros sobre el suelo.



## PREPARACIÓN

Antes de comenzar el montaje del producto, asegúrese de que todas las partes estén presentes. Compare las piezas con la lista del contenido del paquete y el índice del hardware. Si alguna parte falta o está dañada, no intente ensamblar el producto.

Herramientas necesarias para el ensamblaje (no incluido): Martillo, Brocas, Flathead destornillador, nueces de alambre, clavos, cinta aislante, destornillador Phillips, Cuchillo

Herramientas útiles (no incluidas): taladro eléctrico, tornillos para madera

**ADVERTENCIA: Apague la electricidad en la caja de fusibles antes de comenzar la instalación.**

Retire con cuidado la unidad de la caja.

Compruebe zona superior ubicación de la instalación para asegurarse de que el cableado puede correr a la ubicación prevista y que los conductos se puede correr y el área es suficiente para una ventilación adecuada.

Inspeccione los conductos y el cableado antes de proceder con la instalación.

Antes de la instalación, proporcionar la inspección y el futuro acceso de mantenimiento en un lugar que no interfiera con el trabajo de instalación.

Es posible que necesite la ayuda de una segunda persona para instalar este ventilador; una persona en el lado ático y uno en el lado habitación.

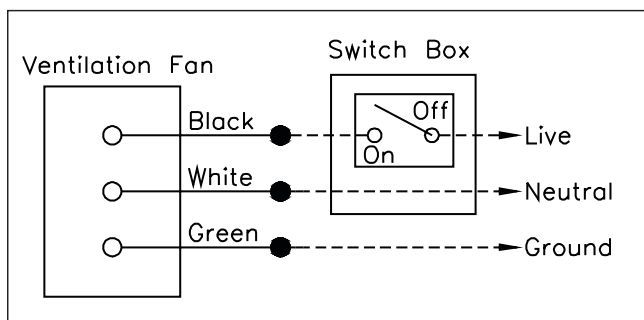
Nota: Las instalaciones pueden variar en función de cómo se instaló el ventilador del baño anterior.  
Suministros necesarios

para la instalación de su ventilador del baño no están incluidos; Sin embargo, la mayoría son disponibles en su mejoras para el hogar o ferretería local.

## DIMENSIÓN

Techo Apertura (L)	Techo Apertura (W)	Techo Apertura (H)
19,1 cm	18,2 cm	17,95 cm

## DIAGRAMA DE CABLEADO

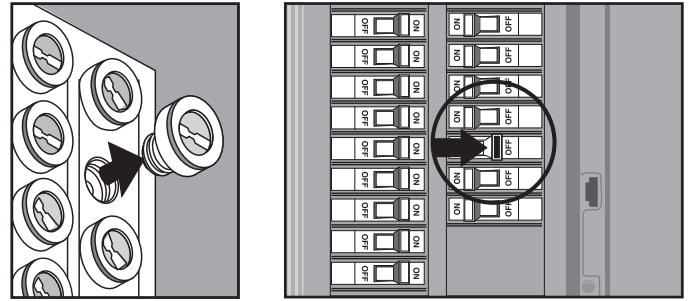


# INSTRUCCIONES DE ENSAMBLAJE

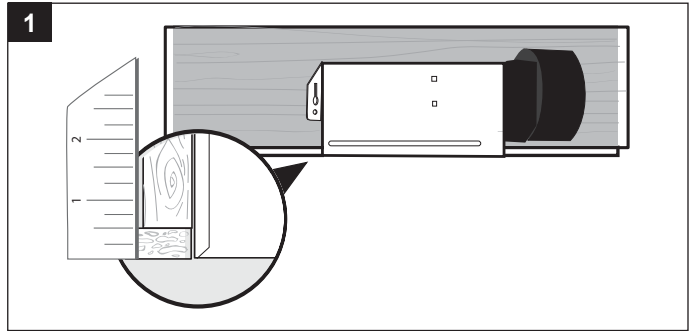
## NUEVA CONSTRUCCIÓN - Colocación de la viga

### ANTES DE LA INSTALACIÓN

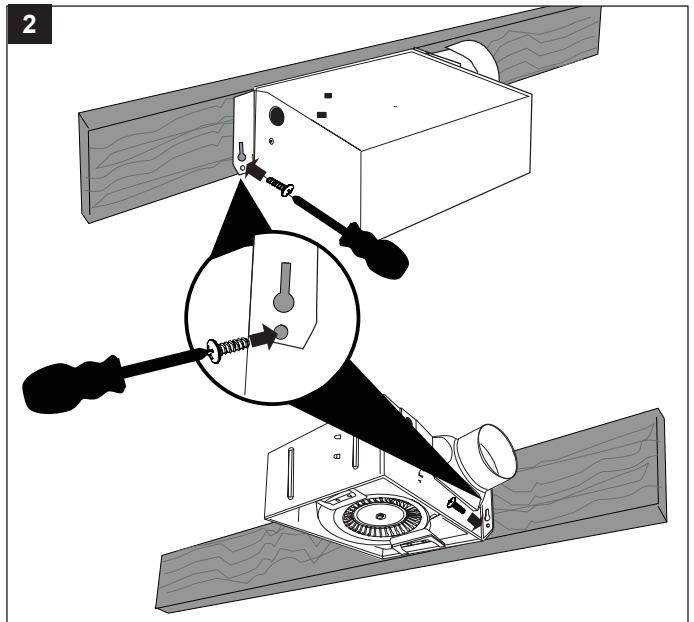
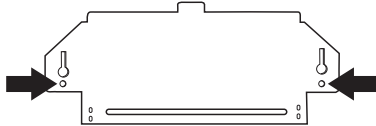
Apague la fuente de alimentación. Revise todas las precauciones de seguridad.



1. Coloque el cuerpo del ventilador (A) al lado de una viga del techo o poste de la pared. La caja del ventilador debe estar nivelada y perpendicular a la viga o perno. Permitir espesor de panel de techo utilizado en su aplicación. **NO** lave montaje a la vigueta. Parte inferior del ventilador (A) debe estar al ras con el tablero del techo.



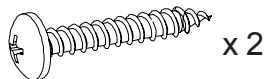
2. Monte el cuerpo del ventilador a la viga o perno utilizando tornillos para madera largos (AA) donde se indica mediante flechas cuerpo del ventilador exterior (A).



### Hardware utilizado

AA

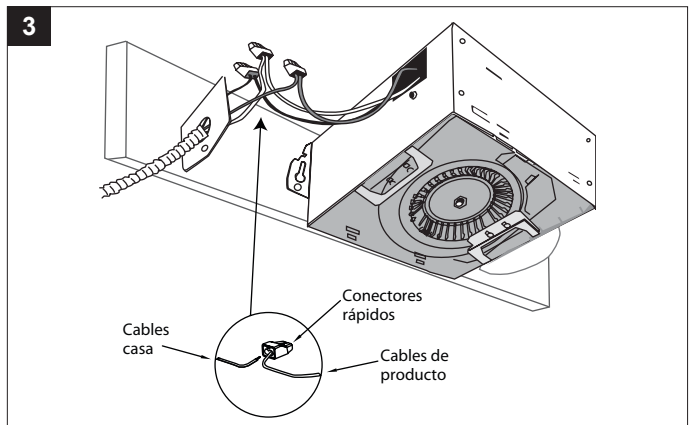
Tornillos para madera largos



3. Cable de tracción a través del orificio y en la caja de conexiones (no incluida). Usando conector rápido, de 120 voltios AC cableado de la casa a salvo de interruptor de pared para ventilador como se muestra en el diagrama de cableado en la página 5.

**Nota:** 12 AWG es el conductor mínima para ser utilizado para el cableado de circuito de ramal.

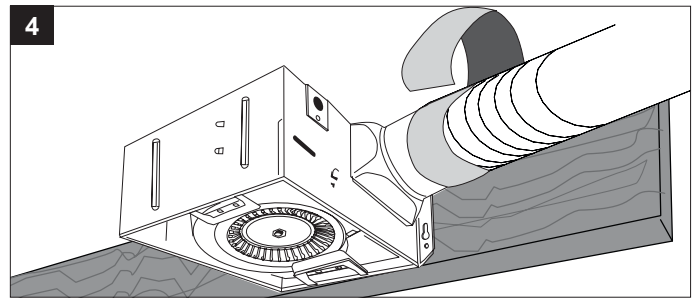
**Precaución:** Si los cables eléctricos no coinciden con los colores de la lista, debe determinar lo que representa cada alambre de la casa antes de conectar. Es posible que deba consultar a un contratista eléctrico para determinar con seguridad.



## INSTRUCCIONES DE ENSAMBLAJE

4. Instale una circular 28,65 cm conducto (no incluido) y fijarlo con cinta adhesiva o grapas (ni incluido).

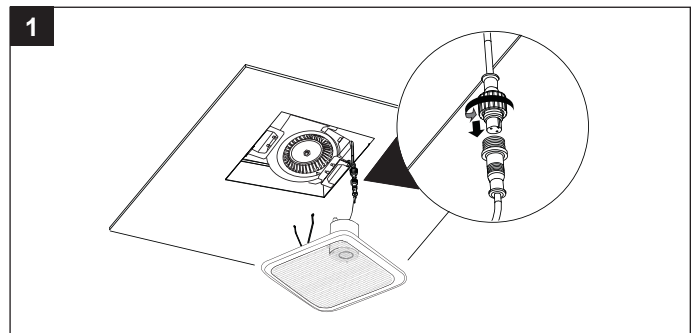
Terminar el trabajo techo. Agujero del techo debe estar alineado con el borde del cuerpo del ventilador.



## INSTALACIÓN BLUETOOTH® ALTAVOZ FAN REJILLA

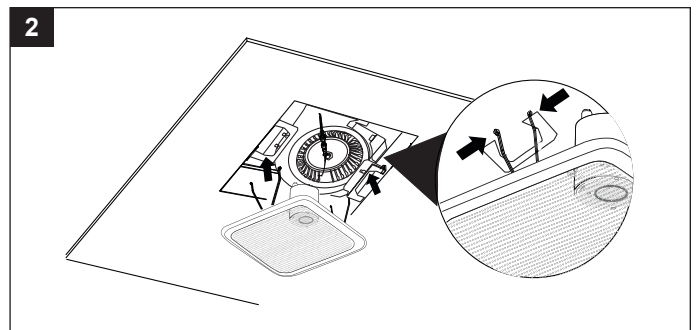
La vivienda debe ser instalado al ras con el tablero de techo o el resorte de montaje rejilla no será lo suficientemente largo para insertar en las ranuras del interior de la caja del ventilador.

1. Únete a los conectores para el altavoz BLUETOOTH® y adaptador de corriente.



2. Coloque la rejilla apretando los resortes de montaje y se insertan en ranuras rectangulares estrechas en la caja del ventilador.

Encienda la fuente de alimentación.



## REGISTRO DEL DISPOSITIVO BLUETOOTH® AL ALTAVOZ

1. Encienda el ventilador del baño.
2. Para reproducir los archivos de música personales, se necesita un dispositivo BLUETOOTH® inalámbrica.
3. Configurar el dispositivo para un volumen de gama media antes de conectar al altavoz.
4. Siga las instrucciones que vienen con el dispositivo Bluetooth® para que sea visible o configurarlo para buscar otros accesorios BLUETOOTH®. Esto puede implicar que entra una clave de acceso o PIN (número de identificación personal).
5. En la pantalla Inicio, seleccione Configuración > BLUETOOTH®, el dispositivo busca altavoz HomeWerks®.

**Nota:** Si bien el dispositivo puede mantener varios registros de emparejamiento, sólo puede conectarse a un accesorio a la vez. Esto evita que el dispositivo envíe sus datos al accesorio BLUETOOTH® mal.

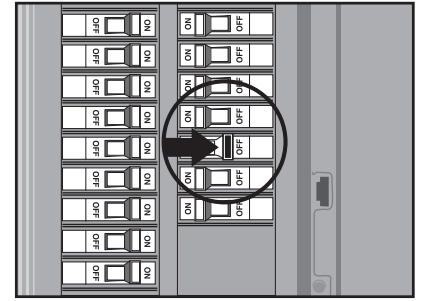
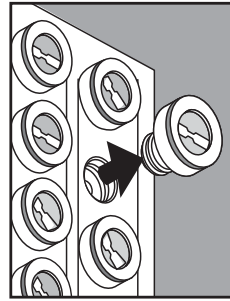
6. Seleccione el altavoz HomeWerks®, a continuación, introduzca una clave de acceso o PIN (0000) si se le solicita.
7. Cuando se completa la vinculación, puede utilizar el altavoz BLUETOOTH® para reproducir audio con el dispositivo. Estableciendo para el altavoz BLUETOOTH®
8. Volumen óptimo es 70% o menos. Ajustes superiores al 70% pueden causar la distorsión del sonido.

## EXISTENTE INSTRUCCIONES DE MONTAJE CONSTRUCCIÓN

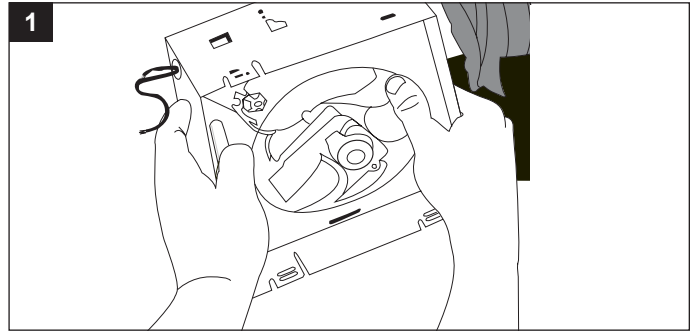
Instalación del cuerpo del ventilador en un edificio existente **requiere un área accesible** (ático o espacio del arrastre) por encima de la instalación prevista ubicación y el conducto y el cableado existente.

### ANTES DE LA INSTALACIÓN

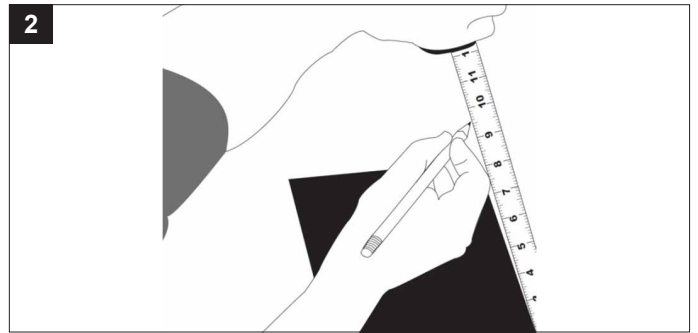
Apague la fuente de alimentación. Revise todas las precauciones de seguridad.



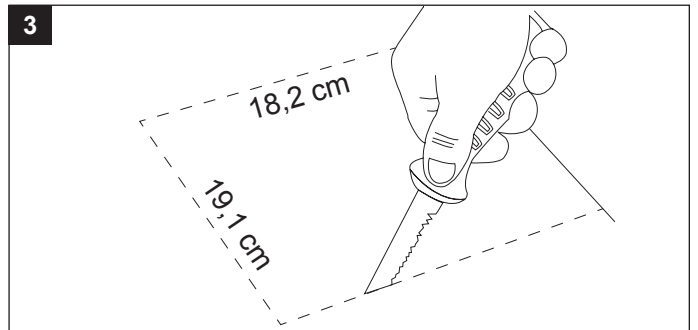
1. Retire el ventilador existente.



2. Mida la abertura para asegurarse de que es lo suficientemente grande como para acomodar el nuevo cuerpo del ventilador (A) (19,1 cm X 18,2 cm).



3. Si este ventilador no está reemplazando un viejo ventilador, asegúrese cortar un 19,1 cm X 18,2 cm de apertura de la cuerpo del ventilador (A).

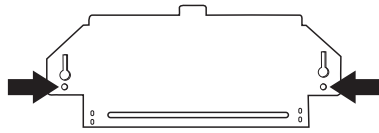


4. Coloque el cuerpo del ventilador (A) al lado de una viga del techo o poste de la pared. La caja del ventilador debe estar nivelada y perpendicular a la viga o perno. Permitir espesor de panel de techo utilizado en su aplicación. NO lave montaje a la vigueta. Parte inferior del ventilador (A) debe estar al ras con el tablero del techo.

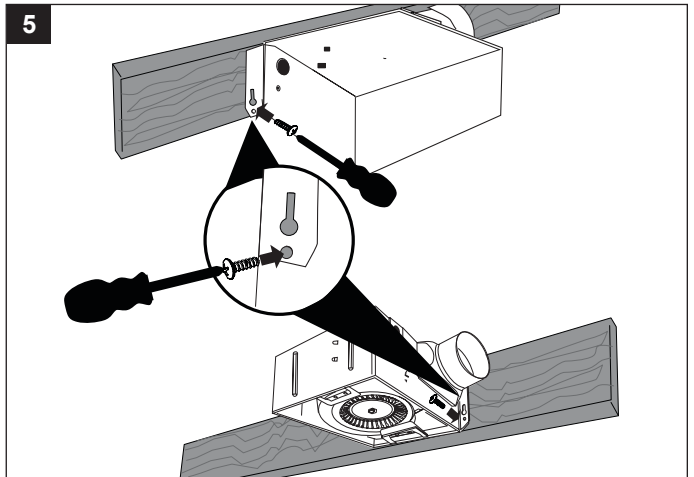
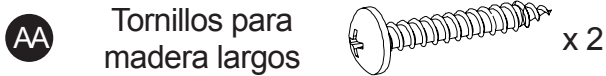


## EXISTENTE INSTRUCCIONES DE MONTAJE CONSTRUCCIÓN

5. Monte el cuerpo del ventilador a la viga o perno utilizando tornillos para madera largos (AA) donde se indica mediante flechas cuerpo del ventilador exterior (A).



### Hardware utilizado



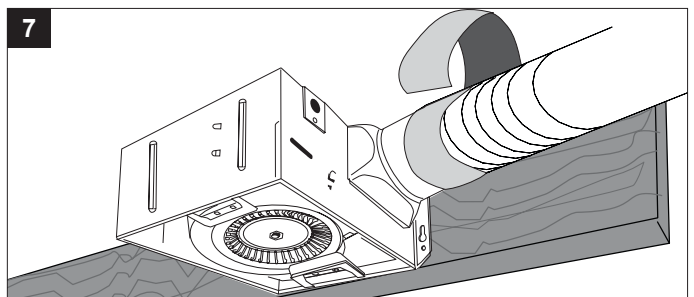
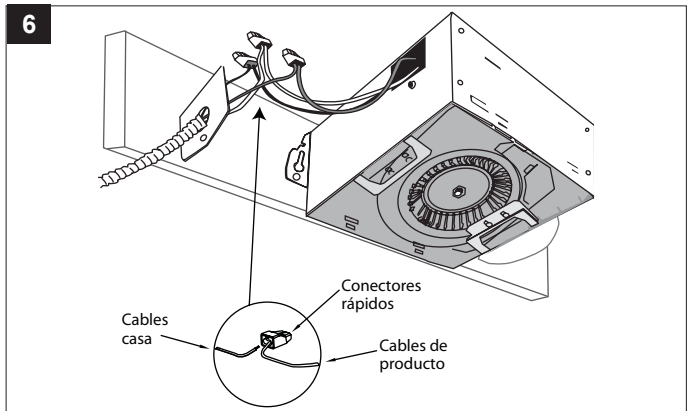
6. Cable de tracción a través del orificio y en la caja de conexiones (no incluida). Usando conector rápido, de 120 voltios AC cableado de la casa a salvo de interruptor de pared para ventilador como se muestra en el diagrama de cableado en la página 5.

**Nota:** 12 AWG es el conductor mínima para ser utilizado para el cableado de circuito de ramal.

**Precaución:** Si los cables eléctricos no coinciden con los colores de la lista, debe determinar lo que representa cada alambre de la casa antes de conectar. Es posible que deba consultar a un contratista eléctrico para determinar con seguridad.

7. Instale una circular 28,65 cm conducto (no incluido) y fijarlo con cinta adhesiva o grapas (ni incluido).

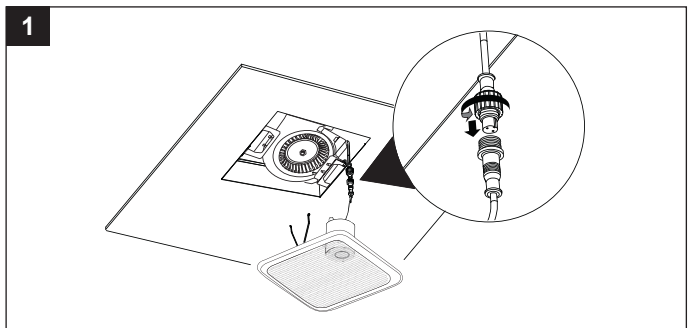
Terminar el trabajo techo. Agujero del techo debe estar alineado con el borde del cuerpo del ventilador.



## INSTALACIÓN BLUETOOTH® ALTAVOZ FAN REJILLA

La vivienda debe ser instalado al ras con el tablero de techo o el resorte de montaje rejilla no será lo suficientemente largo para insertar en las ranuras del interior de la caja del ventilador.

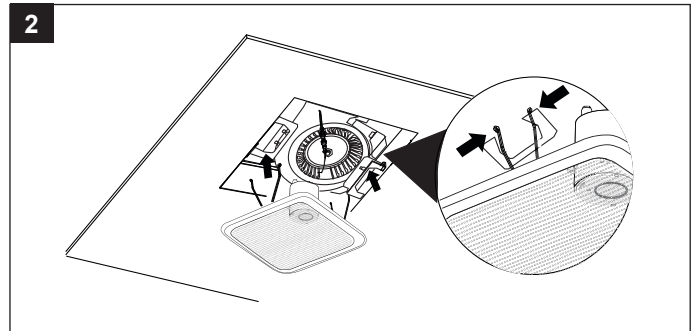
1. Únete a los conectores para el altavoz Bluetooth® y adaptador de corriente.



## INSTALACIÓN BLUETOOTH® ALTAVOZ FAN REJILLA

- Coloque la rejilla apretando los resortes de montaje y se insertan en ranuras rectangulares estrechas en la caja del ventilador.

Encienda la fuente de alimentación.



## REGISTRO DEL DISPOSITIVO BLUETOOTH® AL ALTAVOZ

- Encienda el ventilador del baño.
- Para reproducir los archivos de música personales, se necesita un dispositivo BLUETOOTH® inalámbrica.
- Configurar el dispositivo para un volumen de gama media antes de conectar al altavoz.
- Siga las instrucciones que vienen con el dispositivo Bluetooth® para que sea visible o configurarlo para buscar otros accesorios BLUETOOTH®. Esto puede implicar que entra una clave de acceso o PIN (número de identificación personal).
- En la pantalla Inicio, seleccione Configuración > BLUETOOTH®, el dispositivo busca altavoz HomeWerks®.

**Nota:** Si bien el dispositivo puede mantener varios registros de emparejamiento, sólo puede conectarse a un accesorio a la vez. Esto evita que el dispositivo envíe sus datos al accesorio BLUETOOTH® mal.

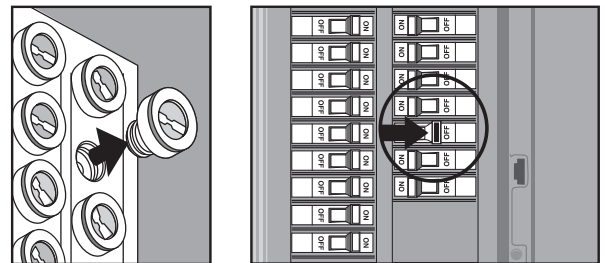
- Seleccione el altavoz HomeWerks®, a continuación, introduzca una clave de acceso o PIN (0000) si se le solicita.
- Cuando se completa la vinculación, puede utilizar el altavoz BLUETOOTH® para reproducir audio con el dispositivo. Estableciendo para el altavoz BLUETOOTH®
- Volumen óptimo es 70% o menos. Ajustes superiores al 70% pueden causar la distorsión del sonido.

## CUIDADO Y MANTENIMIENTO

Vea información de seguridad antes de continuar. El mantenimiento de rutina se debe hacer al menos una vez al año.

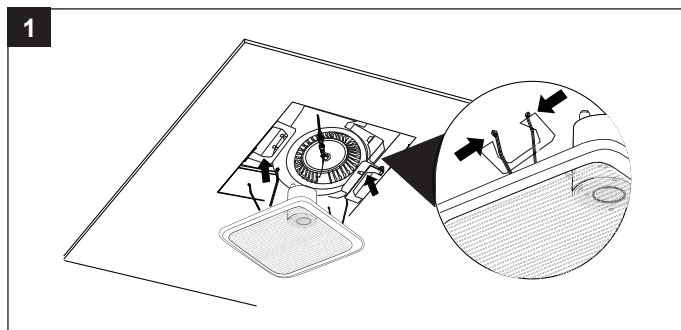
- Nunca utilice solventes, diluyentes o productos químicos fuertes para limpiar el ventilador.
- No permita que el agua entre en el motor.
- No sumerja las piezas de metal en el agua.
- No sumerja las partes de resina en el agua más de 140 grados Fahrenheit.
- No sumerja altavoz BLUETOOTH® en agua

Apague la fuente de alimentación. Revise toda seguridad precauciones.

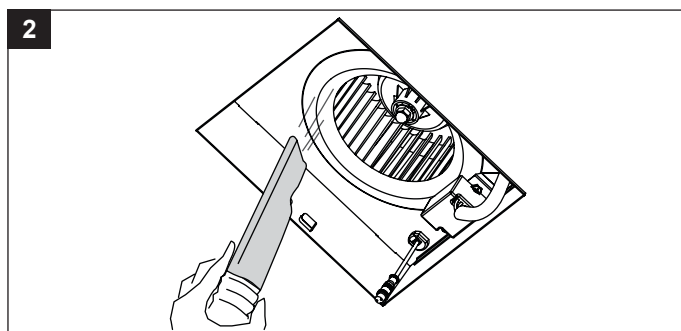


## CUIDADO Y MANTENIMIENTO

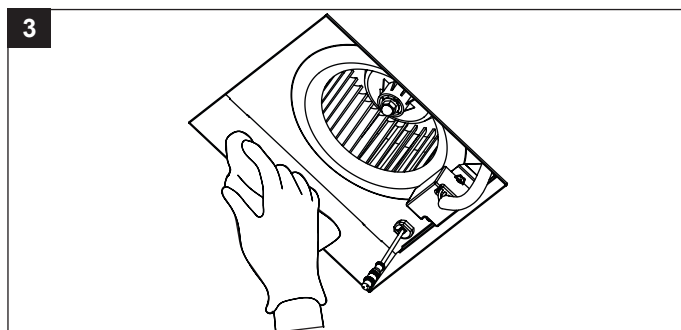
1. Retire la rejilla apretando primavera y tirar hacia abajo. Limpie la rejilla con un paño húmedo.



2. Elimine el polvo y la suciedad de la caja del ventilador con una aspiradora.

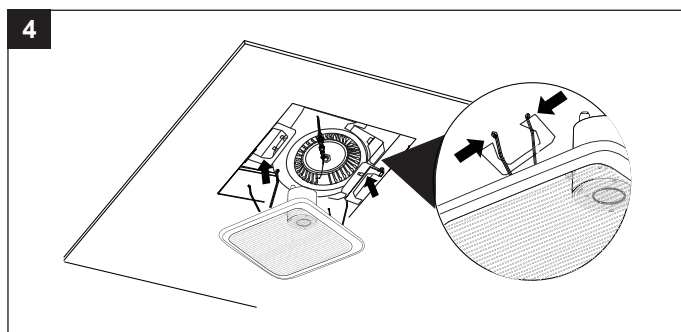


3. Humedezca un paño con detergente polvo, limpie la carcasa del ventilador y seque con un paño.



4. Vuelva a colocar el altavoz BLUETOOTH® y parrilla.

Encienda la fuente de alimentación.



## SOLUCIÓN DE PROBLEMAS

PROBLEMA	CAUSA POSIBLE	ACCIÓN CORRECTIVA
El ventilador hace más ruido de lo que debería.	CFM demasiado grande	Asegúrese de que la calificación CFM del ventilador coincide con el tamaño de su habitación.
	Amortiguador no funciona correctamente o está dañado	Compruebe amortiguador para asegurarse de que se está abriendo y cerrando correctamente. Si el amortiguador se ha dañado, por favor llame a Servicio al Cliente.
	Doble en el conducto demasiado cerca de descarga del ventilador	Asegúrese de que usted no tiene ningún doblez en cerca del conducto de 18 pulgadas a la descarga del ventilador.
	Descarga del ventilador reducida para que quepa más pequeño conducto	Use el tamaño recomendado conductos para reducir el ruido del ventilador.
	Fan cuerpo no está bien conectado	Asegúrese de que el ventilador está bien conectado a las vigas del techo.
El ventilador no es limpia de la habitación	La ingesta insuficiente flujo de aire dentro de la sala	Asegúrese de una puerta o ventana está entreabierta o abierta para permitir el flujo de aire. El ventilador no es capaz de extraer el aire de la habitación sin flujo de aire suficiente para aprovechar.
	Insuficiente CFM	Asegúrese de que la calificación CFM del ventilador coincide con los requisitos para el tamaño de su habitación.  NOTA: El uso de un tejido no es un método exacto para determinar si el ventilador está funcionando correctamente. Si el ventilador elimina el vapor de la habitación dentro de unos 15 minutos desde la finalización de la ducha, el ventilador está funcionando correctamente.

## FAN – GARANTÍA LIMITADA DE 3 AÑOS

Si este producto falla debido a un defecto en el material o la mano de obra en cualquier momento durante los primeros TRES años de poseerlo, el fabricante lo reemplazará sin cargos y con el franqueo pagado a su discreción. Para obtener información sobre el reemplazo, póngase en contacto con el Servicio al Cliente (1-877-319-3757) o visite nuestro sitio Web, [www.homewerksww.com](http://www.homewerksww.com). Esta garantía no cubre productos que hayan sufrido abusos, modificaciones, daños, uso indebido, cortes o desgaste. Esta garantía no cubre el uso con fines comerciales. Use solo piezas de repuesto genuinas con garantía Homewerks para reparar el ventilador. La utilización de piezas de repuesto no genuinas anulará la garantía. El fabricante RECHAZA todas las demás garantías expresas o implícitas, incluyendo todas las garantías de comerciabilidad e idoneidad para un fin en especial. Debido a que algunos estados no permiten exclusiones o limitaciones en una garantía implícita, las exclusiones y limitaciones anteriores pueden no aplicarse. Esta garantía le otorga derechos legales específicos, pero podría tener también otros derechos que varían según el estado.

Esta garantía se limita solo al reemplazo de piezas defectuosas. Quedan excluidos los cargos y/o daños por mano de obra incurridos durante la instalación, reparación o reemplazo, además de los daños incidentales o resultantes relacionados con estos. Cualquier daño a este producto como resultado de negligencia, uso indebido, accidente, instalación inadecuada o cualquier otro uso distinto al descrito en el presente ANULARÁ ESTA GARANTÍA.

Los costos de envío por cualquier devolución del producto como parte de una reclamación de garantía estarán a cargo del cliente.

Las preguntas relacionadas con reclamos de la garantía pueden realizarse al 1-877-319-3757, de 8 a. m. a 5 p. m., hora central estándar, de lunes a viernes.

## BLUETOOTH® ALTAVOZ – GARANTÍA LIMITADA DE 1 AÑO

Si el altavoz BLUETOOTH® falla debido a un defecto en materiales o mano de obra en cualquier momento durante el primer año de propiedad, el fabricante lo reemplazará sin cargos y con el franqueo pagado a su discreción. Para obtener información sobre el reemplazo, póngase en contacto con el Servicio al Cliente (1-877-319-3757) o visite nuestro sitio Web, [www.homewerksww.com](http://www.homewerksww.com). Esta garantía no cubre productos que hayan sufrido abusos, modificaciones, daños, uso indebido, cortes o desgaste. Esta garantía no cubre el uso con fines comerciales. Use solo piezas de repuesto genuinas con garantía Homewerks para reparar el ventilador. La utilización de piezas de repuesto no genuinas anulará la garantía. El fabricante RECHAZA todas las demás garantías expresas o implícitas, incluyendo todas las garantías de comerciabilidad e idoneidad para un fin en especial. Debido a que algunos estados no permiten exclusiones o limitaciones en una garantía implícita, las exclusiones y limitaciones anteriores pueden no aplicarse. Esta garantía le otorga derechos legales específicos, pero podría tener también otros derechos que varían según el estado.

Esta garantía se limita solo al reemplazo de piezas defectuosas. Quedan excluidos los cargos y/o daños por mano de obra incurridos durante la instalación, reparación o reemplazo, además de los daños incidentales o resultantes relacionados con estos. Cualquier daño a este producto como resultado de negligencia, uso indebido, accidente, instalación inadecuada o cualquier otro uso distinto al descrito en el presente ANULARÁ ESTA GARANTÍA.

Los costos de envío por cualquier devolución del producto como parte de una reclamación de garantía estarán a cargo del cliente.

Las preguntas relacionadas con reclamos de la garantía pueden realizarse al 1-877-319-3757, de 8 a. m. a 5 p. m., hora central estándar, de lunes a viernes.