

### WARNING



**This warranty excludes incidental/inconsequential damages and failures due to misuse, abuse, normal wear and tear and dulling of the blade(s).**

If you have any question concerning this product:

- Contact your local Homedepot Store.
- Contact 1-888-HD-HUSKY.

### Specifications

- Used to bend 1/4 in., 5/16 in. and 3/8 in. O.D. soft metal tubing
- Shoe-handle design for optimal tube bending
- Black powder-coated finish prevents corrosion
- Easy to read angle markings for ease of use
- Provides precise tube bending without kinking or flattening

### Product Overview

Husky's Tube Bending Tool provides precise tube bending without kinking or flattening. The tool bends 1/4 in., 5/16 in. and 3/8 in. diameter soft metal tubing up to 90 degrees. Features easy-to-use angle markings for quick measuring. Made of lightweight, die-cast aluminum, it boasts a powder-coated finish that resists corrosion.

### Operating Instructions

#### Read All Instructions Carefully Before Using

1. Raise shoe handle of bending tool.
2. Position tubing in appropriate size channel of tool. Be sure top surface of tubing contacts tube latch (Figure 1).
3. Lower shoe handle making sure that the "0" designation on shoe handle aligns with 0° mark on the form.
4. To bend tubing, slowly pull shoe handle around form using a steady motion until "0" designation aligns with desired degree of bend on form.

#### Tube Alignment for 90° and 45° Bends:

1. Measure and mark tubing at desired point of bend.
  - a. If point of bend is left of center, align mark on tubing with "A" designation on shoe handle (Figure 2).
  - b. If point of bend is right of center, align mark on tubing with "R" designation on shoe handle (Figure 3).
2. When tubing is in place, set-up tool as outlined above to complete bend.

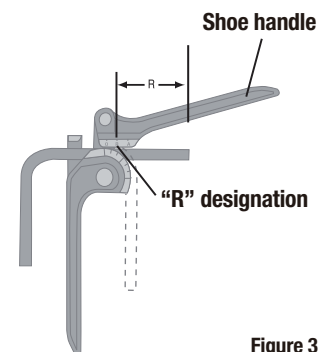
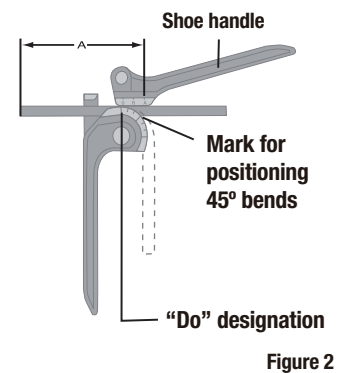
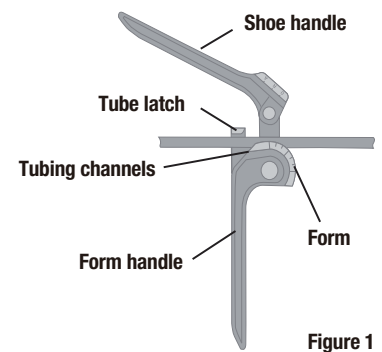


Figure 3