

Mechanical Kitchen Scale

Leading the Way in Accuracy®

Instruction Manual

Thank you for purchasing a Taylor® Kitchen Scale. Your Taylor® scale is an example of superior design and craftsmanship. Please read this instruction manual carefully before use. Keep these instructions handy for future reference.

Assembly Instructions

1. Place the scale base on a hard, level surface.
2. There may be pieces of cardboard and plastic fasteners between the base and platform support bar to prevent damage during shipping. Do not remove cardboard stabilizers until instructed to do so.
3. On the platform support bar on the top of the scale, there are 2 screws in the outermost holes. Loosen and remove the screws. Set the screws aside. Take care not to misplace the screws.
4. Place the bowl frame on the platform support bar. Line up two of the crossbar screw holes with the screw holes on the support bar.
5. Place one of the screws through the top of one of the holes. Tighten the screw with a Philips screwdriver. Repeat with the other screw hole.
6. Remove cardboard stabilizers
7. The scale may be disassembled for storage by removing the weighing tray and loosening the screws and removing the crossbar.

Calibration/General Weighing Operation

1. Place the scale base on a hard, level surface. Place the weighing tray so that it is stable on top of the base unit.
2. The pointer should indicate "0" before objects to be weighed are placed on the scale. To adjust the pointer to "0", use the adjustment dial located on the top of the base unit.
3. Carry the scale by holding the base unit. Take care not to drop the tray. If the scale is relocated, recalibration to "0" may be required. To do so, repeat steps 1 and 2.

Care and Maintenance

1. The scale base is not dishwasher safe. Immersing the scale in water may trap liquid between the lens and the body that cannot be effectively dried-out. Damage will void warranty.
2. An occasional wiping with a soft cloth and mild soap will keep your Taylor® scale clean and attractive. Do not use abrasive cleaners. Your Taylor® scale does not require oiling or lubrication of any kind.
3. The weighing tray is top dishwasher safe.
4. Do not put either the base unit or the tray in a microwave.
5. Protect the scale from flames, heat, direct sunlight and high humidity.
6. Do not tamper with the scale's internal components. Doing so will invalidate the warranty on this unit and may cause damage. The scale contains no user-serviceable parts.

One Year Limited Warranty

Taylor® warrants this product to be free from defects in material or workmanship for one (1) year from date of original purchase for the original purchaser. It does not cover damages or wear resulting from accident, misuse, abuse, commercial use, or unauthorized adjustment and/or repair. If service is required, do not return to retailer. Should this product require service (or replacement at our option), please pack the item carefully and return it prepaid, along with store receipt showing the date of purchase and a note explaining reason for return to:

**Taylor Precision Products
2220 Entrada Del Sol, Suite A
Las Cruces, New Mexico 88001 USA**

There are no expressed warranties except as listed above. This warranty gives you specific legal rights, and you may have other rights which vary from state to state.

For additional product information, or warranty information in Canada or elsewhere outside the USA, please contact us through www.taylorusa.com.

© 2011 Taylor Precision Products and its affiliated companies, all rights reserved. Taylor® and Leading the Way in Accuracy® are registered trademarks of Taylor Precision Products and its affiliated companies. All rights reserved.

Made to our exact specifications in China.

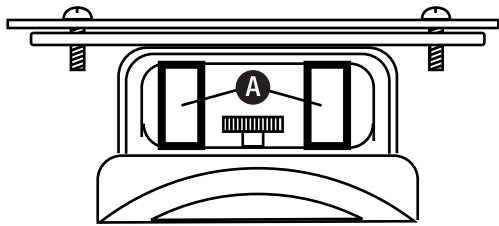
Not legal for trade.

www.taylorusa.com

ITEMS INCLUDED FOR ASSEMBLY:

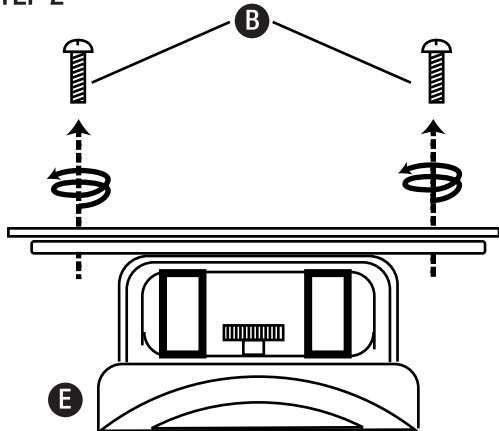
- A** CARDBOARD STABILIZERS (2)
- B** SCREWS (2)
- C** BOWL FRAME (1)
- D** BOWL (1)
- E** SCALE BASE (1)

STEP 1



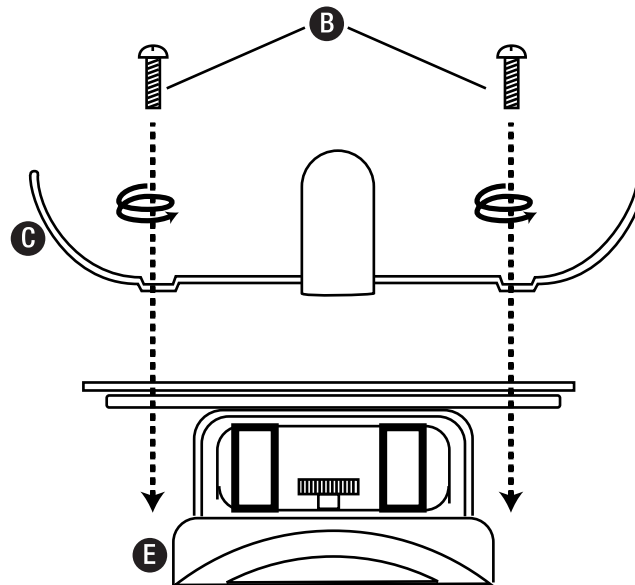
DO NOT REMOVE CARDBOARD STABILIZERS UNTIL INSTRUCTED TO DO SO

STEP 2



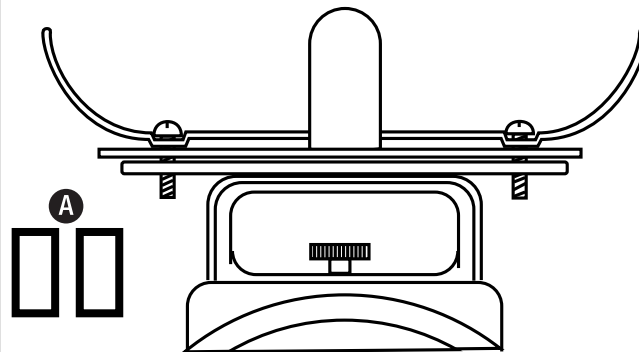
REMOVE BOTH SCREWS ON EACH END OF THE PLATFORM. DO NOT DISCARD

STEP 3



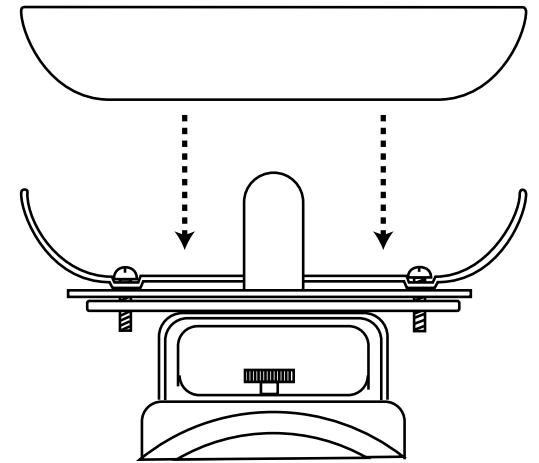
PLACE BOWL FRAME ON PLATFORM BEING SURE TO LINE INDENTED AREA'S HOLES WITH HOLES IN PLATFORM. SECURE IN PLACE USING PREVIOUSLY REMOVED SCREWS

STEP 4



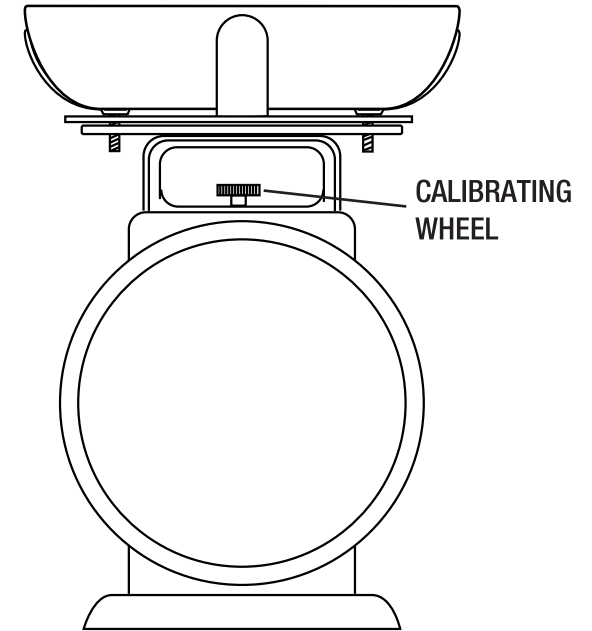
REMOVE CARDBOARD STABILIZERS AND DISCARD

STEP 5



PLACE BOWL ON MOUNTED BOWL FRAME FOR USE

STEP 6



BE SURE TO ADJUST THE CALIBRATION OF THE SCALE PRIOR TO USING. THE BOWL AND FRAME SHOULD BE IN PLACE TO PROPERLY CALIBRATE THE SCALE