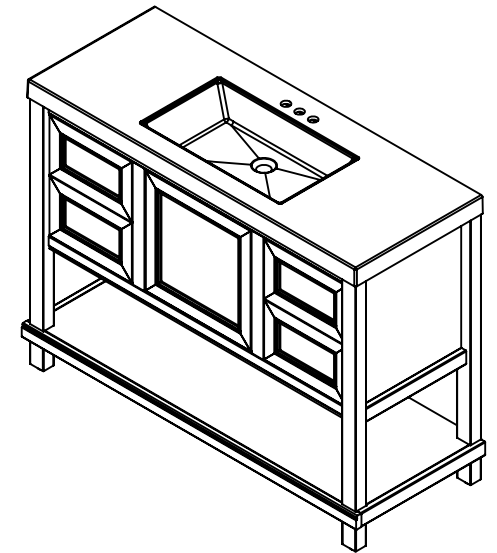
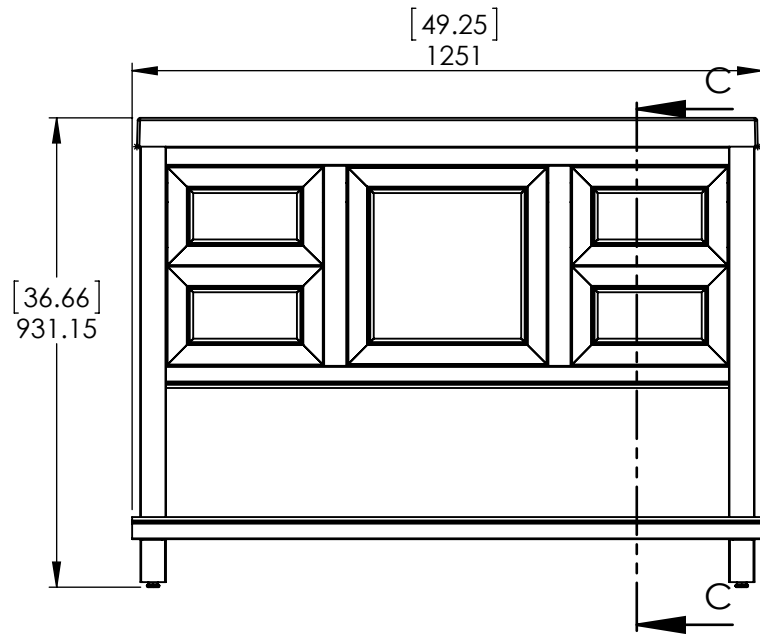


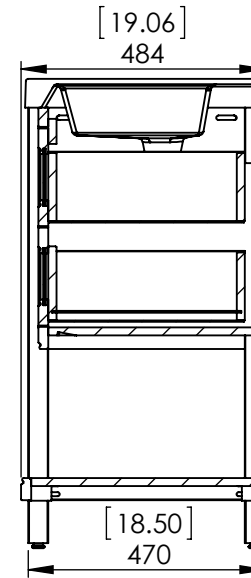
Top View



Isometric View



Front View



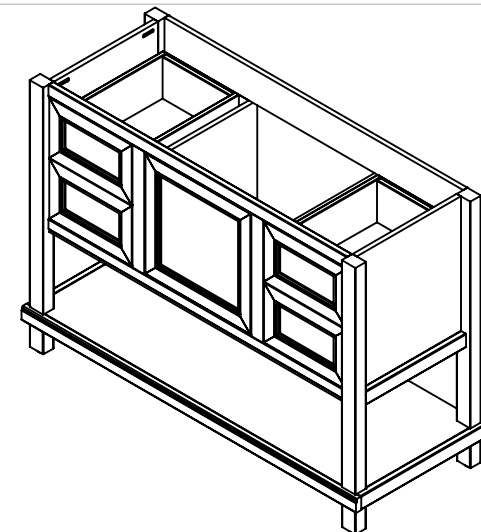
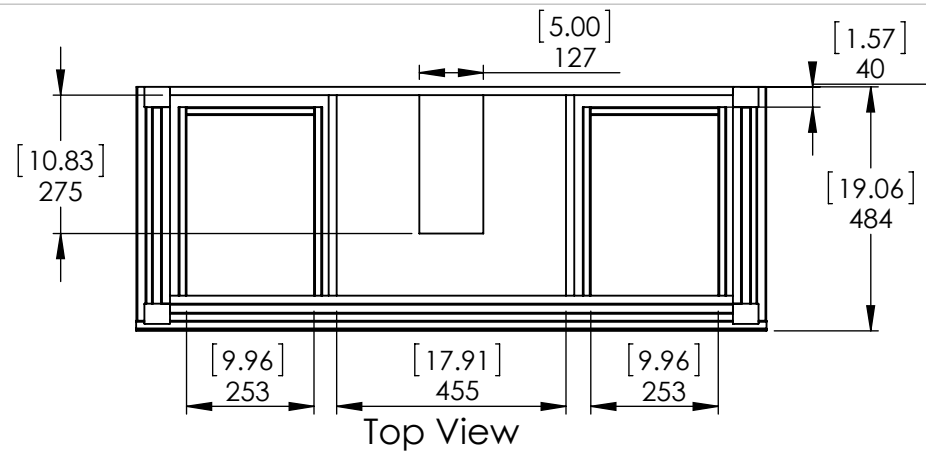
SECTION C-C  
SCALE 1 : 15



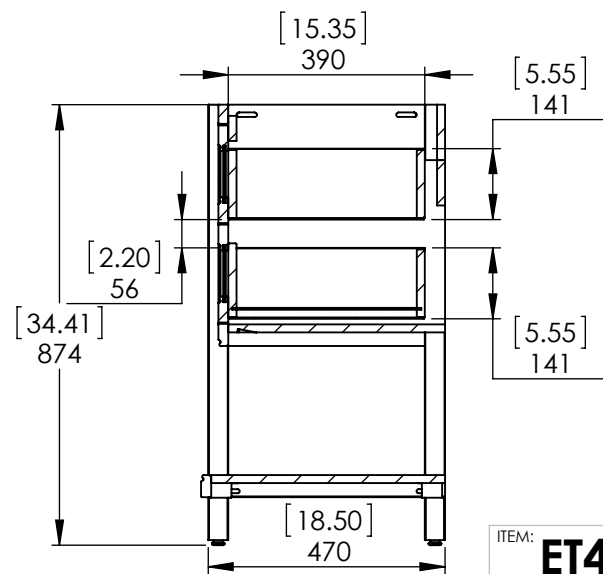
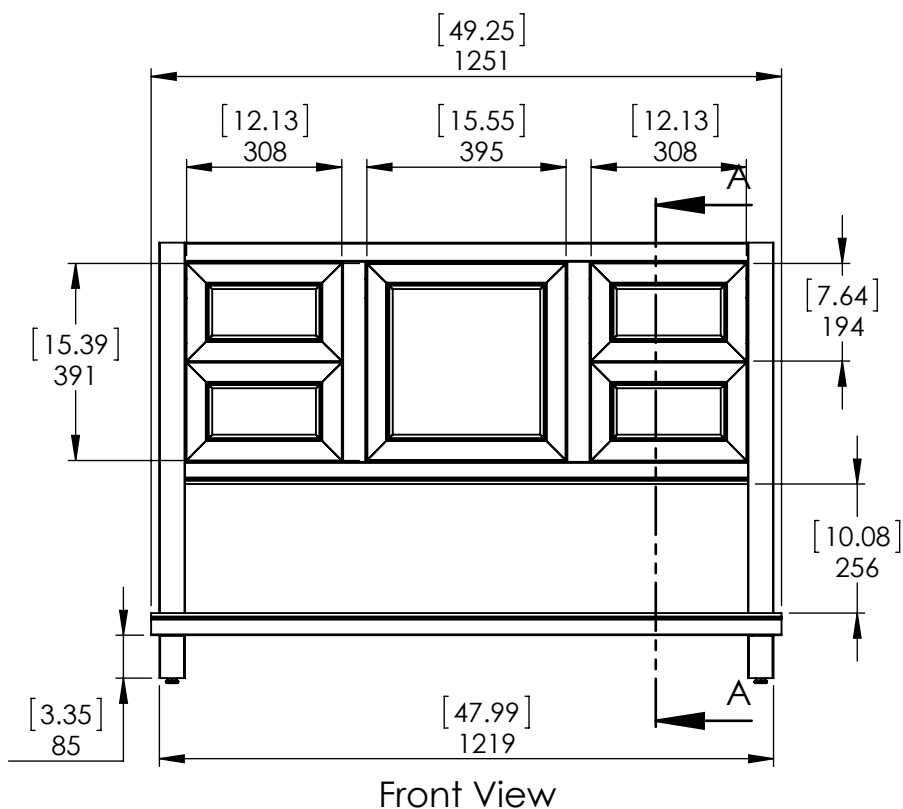
ITEM:	<b>ET48P2-WH</b>	REV	<b>A</b>
	<b>ET48P2-TG</b>		

NAME: **Everton 48in**

<b>Propiedad y Confidencialidad</b> La información contenida en este dibujo es puramente propiedad de Woodcrafters Home Products LLC. Queda prohibida cualquier reproducción parcial o total sin el permiso por escrito de Woodcrafters Home Product LLC.	DRAWING	ARB	07/10/18	MATERIAL: <b>German beech 4/4 Laminated Paper White/Taupe Gray</b>
	REVIEW	ING	07/10/18	
	APPROVED	R&D	07/10/18	
	SCALE: 1:15	MODEL:	<b>Everton 48in</b>	



Isometric View



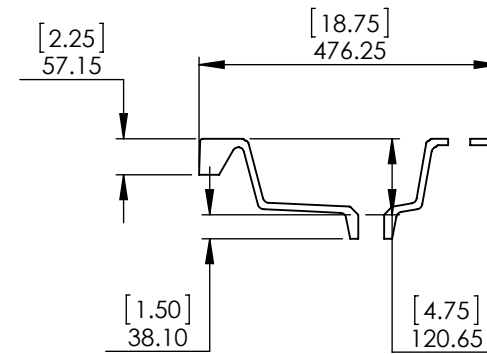
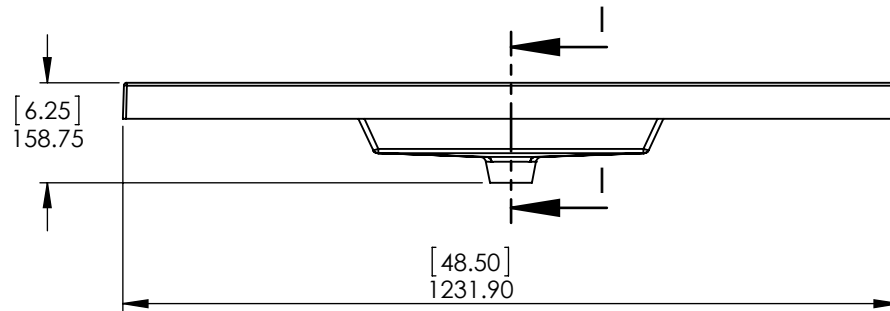
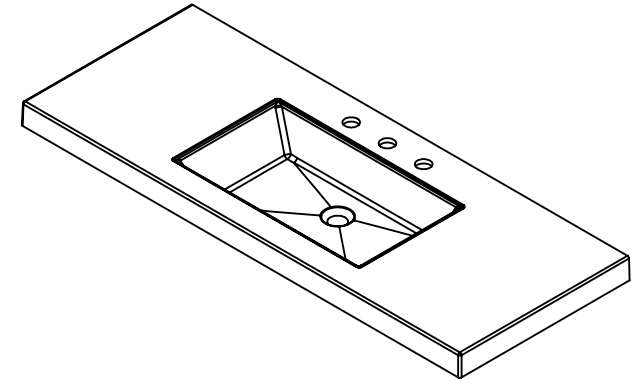
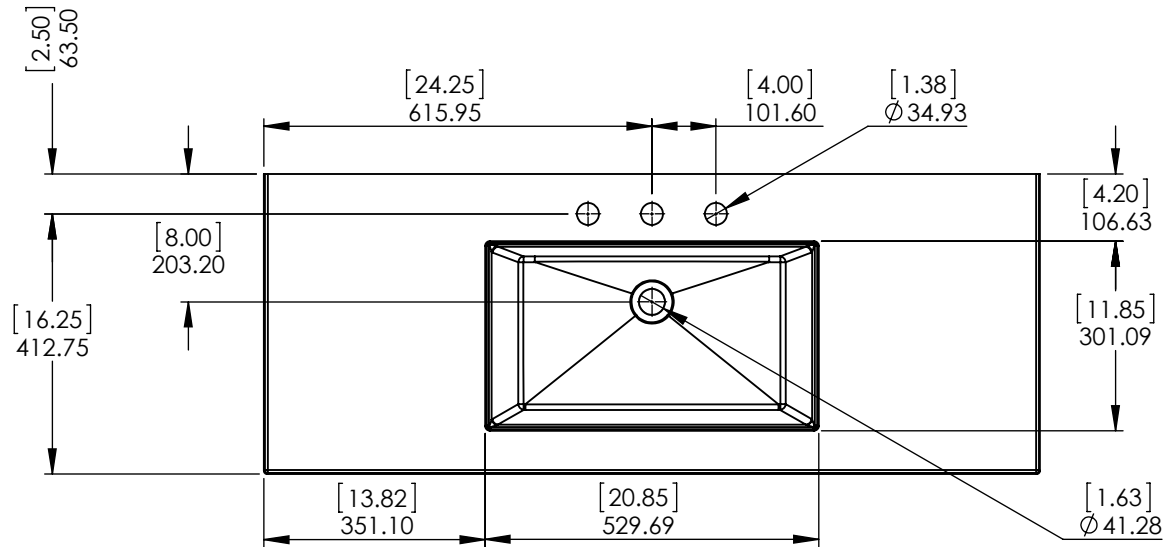
ITEM:	<b>ET48P2-WH</b>	REV	<b>A</b>
	<b>ET48P2-TG</b>		

NAME: **Everton 48in**

<b>Propiedad y Confidencialidad</b> La información contenida en este dibujo es puramente propiedad de Woodcrafters Home Products LLC. Queda prohibida cualquier reproducción parcial o total sin el permiso por escrito de Woodcrafters Home Product LLC.	DRAWING	ARB	07/10/18	MATERIAL: <b>German beech 4/4 Laminated Paper White/Taupe Gray</b>
	REVIEW	ING	07/10/18	
	APPROVED	R&D	07/10/18	
	SCALE: 1:15	MODEL:	<b>Everton 48in</b>	

ID	Description	Technology	Status
595445	Vtop Oslo 48.5x18.75 8in	Solid White	Approved for production

Rev #	Approved by	Change
0	R. Rubio	Released



NOTE: MAX. WARPAGE  
TOLERANCE 1/8"

**PROPRIETARY AND CONFIDENTIAL**  
THE INFORMATION CONTAINED IN THIS DRAWING IS THE  
SOLE PROPERTY OF WOODCRAFTERS. ANY  
REPRODUCTION IN PART OR AS A WHOLE WITHOUT THE  
WRITTEN PERMISSION OF WOODCRAFTERS IS PROHIBITED.

UNLESS OTHERWISE SPECIFIED  
DIMENSIONS ARE IN MM.  
AND (INCHES)  
TOLERANCES ARE  
+ 0.125 [3.175] - 0.125 [-3.175]  
SCALE:1:12

	NAME	DATE
DRAWN	R. Rubio	11/01/16
CHECKED	R. Rubio	11/01/16
ENG APPR.	R. Rubio	11/01/16
MFG APPR.	C. Leal	11/01/16

Wood Crafters		SIZE	DWG. NO.	SHEET 1 OF 1	REV: 0
		A	Vtop Oslo 48.5x18.75 8in		