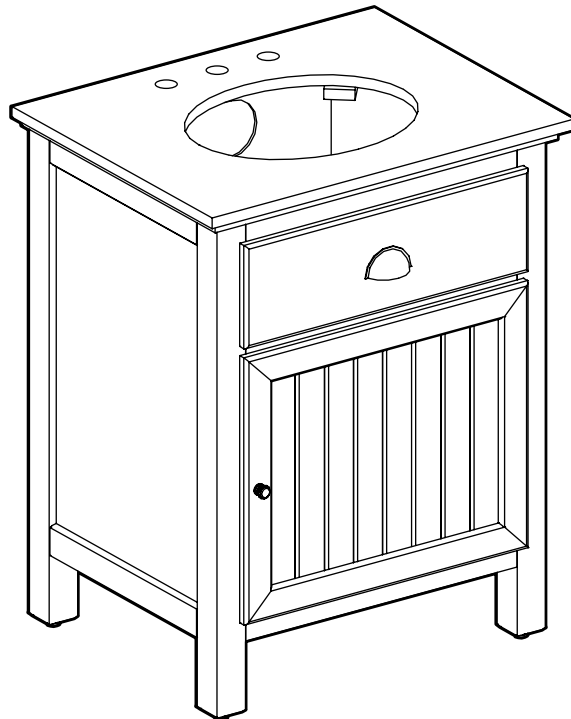


HOME
DECORATORS
COLLECTION

Item #000-000
Model #3062500310
3062500410

USE AND CARE GUIDE

RIDGEMORE 28 IN. SINGLE VANITY



Questions, problems, missing parts? Before returning to the store,
call Home Decorators Collection Customer Service
8 a.m. - 7 p.m., EST, Monday - Friday, 9 a.m.- 6 p.m., EST, Saturday

1-800-986-3460

HOMEDEPOT.COM/HOMEDECORATORS

THANK YOU


We appreciate the trust and confidence you have placed in Home Decorators Collection through the purchase of this vanity. We strive to continually create quality products designed to enhance your home. Visit us online to see our full line of products available for your home improvement needs. Thank you for choosing Home Decorators Collection!


Table of Contents

Safety Information	2	Installation	4
Warranty	2	Maintenance	5
Pre-Installation	3	Care and Cleaning	5
Planning Installation	3		
Dimensions	3		
Tools Required	3		
Package Contents	3		

Safety Information

- Read and understand these instructions before attempting to install or use this product.

 **CAUTION:** Use caution when lifting heavy objects. Lifting heavy objects improperly could cause serious injury.

 **NOTE:** Handle with care. Do not drop or handle roughly, as this could damage the vanity.

Warranty

This vanity product comes with a manufacture Limited Lifetime Warranty. The warranty applies to the original purchaser of the vanity and guarantees that the surface will not wear through or peel off. Installation of the product confirms your acceptance of the product. Failure to follow Pre-Installation and Installation guidelines will void the warranty. The warranty does not cover damage from improper use, care or maintenance, including scratching, exposure to moisture and humidity, water damage, denting, fading, or staining.

Contact the Customer Service Team at 1-800-986-3460 or visit www.HOMEDEPOT.com/HOMEDECORATORS.

Pre-Installation

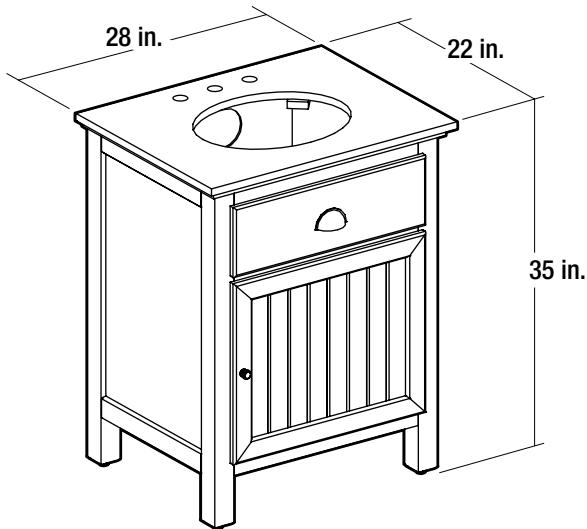
PLANNING INSTALLATION

Check the vanity for damage before installation. If any part of the vanity is missing or damaged, contact the Customer Service Team at 1-800-986-3460.

Ensure that the vanity location is accessible to water supply and drain lines. It is recommended that you rough-in the water lines and drain before installing the vanity.

 **NOTE:** A drain pipe and trap are not included with this vanity.

DIMENSIONS



TOOLS REQUIRED

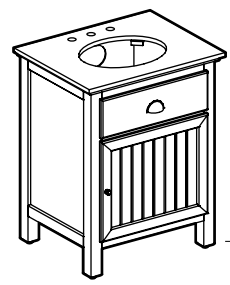


Safety goggles



Level

PACKAGE CONTENTS



A



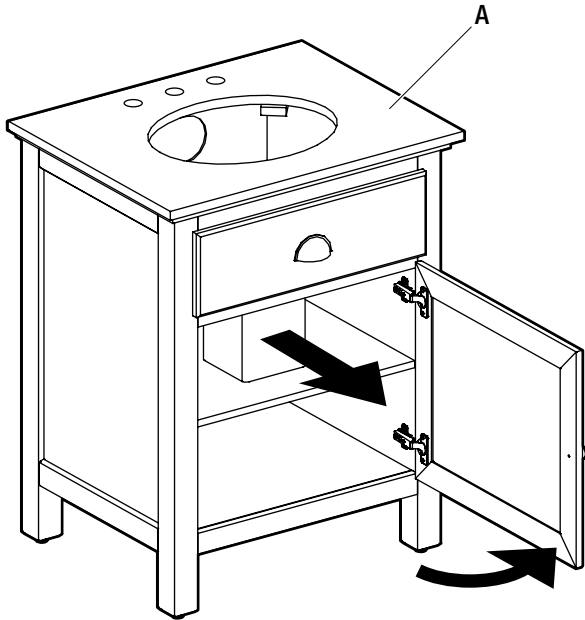
B

Part	Description	Quantity
A	Vanity	1
B	Adjustable foot	4

Installation

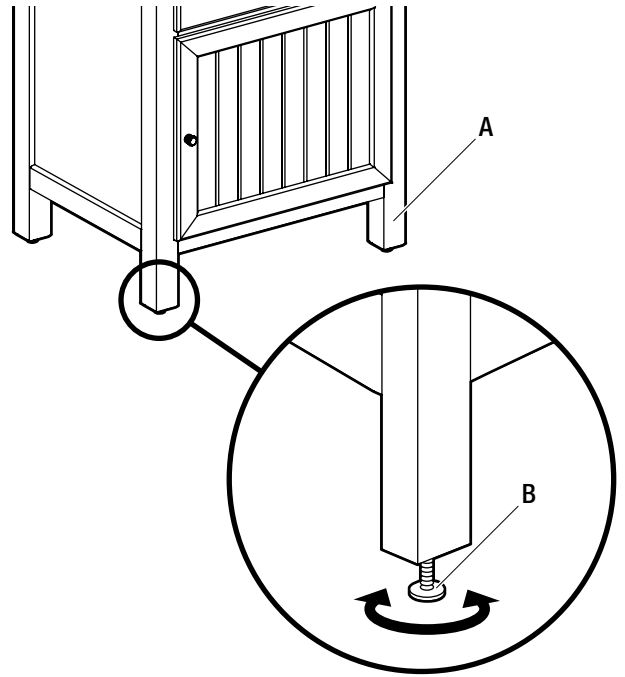
1 Preparing the vanity

- Place the vanity (A) in the desired location.
- Open the cabinet door and remove the foam.



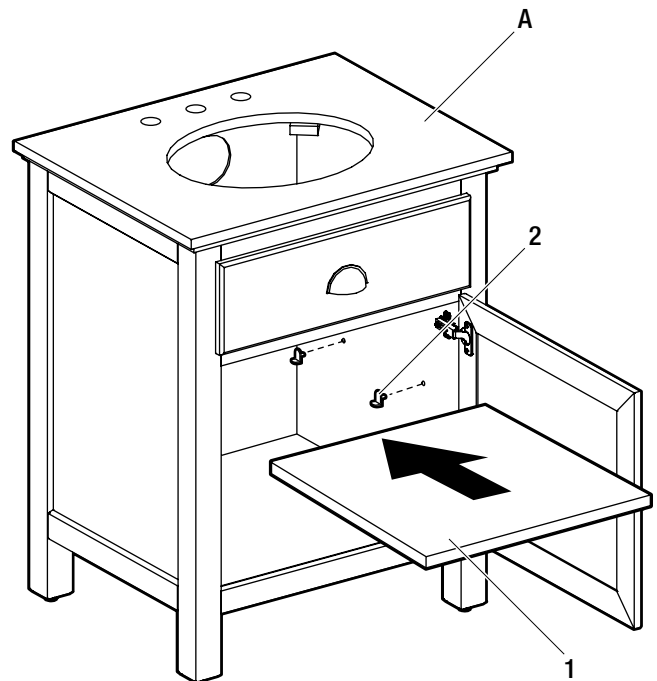
2 Leveling the vanity

- Screw the adjustable feet (B) into the holes in the vanity (A).
- Twist the adjustable feet (B) to ensure that the vanity is level and steady.



3 Adjusting the shelf

- Remove the shelf (1) from the vanity (A).
- Insert the shelf brackets (2) into the desired holes. Ensure that all the shelf brackets (2) are level.
- Gently insert the shelf (1) into the vanity.



Maintenance

- If your furniture is stained or otherwise damaged during use, contact a professional for repairs.

Care and Cleaning

- Use a soft, clean cloth that will not scratch the surface when dusting.
- Use of furniture polishes is not necessary. Should you choose to use polishes, test the polish in an inconspicuous area before using over the entire surface of the product.
- Using solvents of any kind on your furniture may damage the finish.
- Never use water to clean your furniture as it may cause damage to the finish.
- Always use coasters under beverage glasses and flowerpots.
- Liquid spills should be removed immediately. Using a soft, clean cloth, blot the spill gently. Avoid rubbing.
- Always use protective pads under hot dishes and plates. Heat can cause chemical changes that may create spotting within the furniture finish.
- Use care as stains or marks from crayons or ink markers will be difficult to remove.
- Be sure to immediately clean red wine or soda stains within 30 minutes or the surface will stain.

HOME DECORATORS COLLECTION

Questions, problems, missing parts? Before returning to the store,
call Home Decorators Collection Customer Service
8 a.m. - 7 p.m., EST, Monday - Friday, 9 a.m.- 6 p.m., EST, Saturday

1-800-986-3460

HOMEDEPOT.COM/HOMEDECORATORS

Retain this manual for future use.