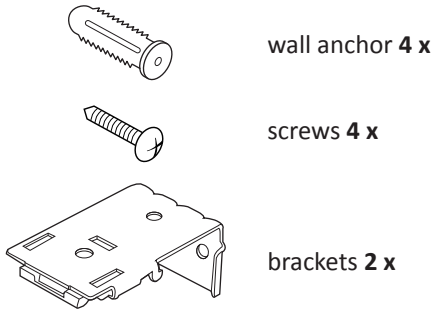
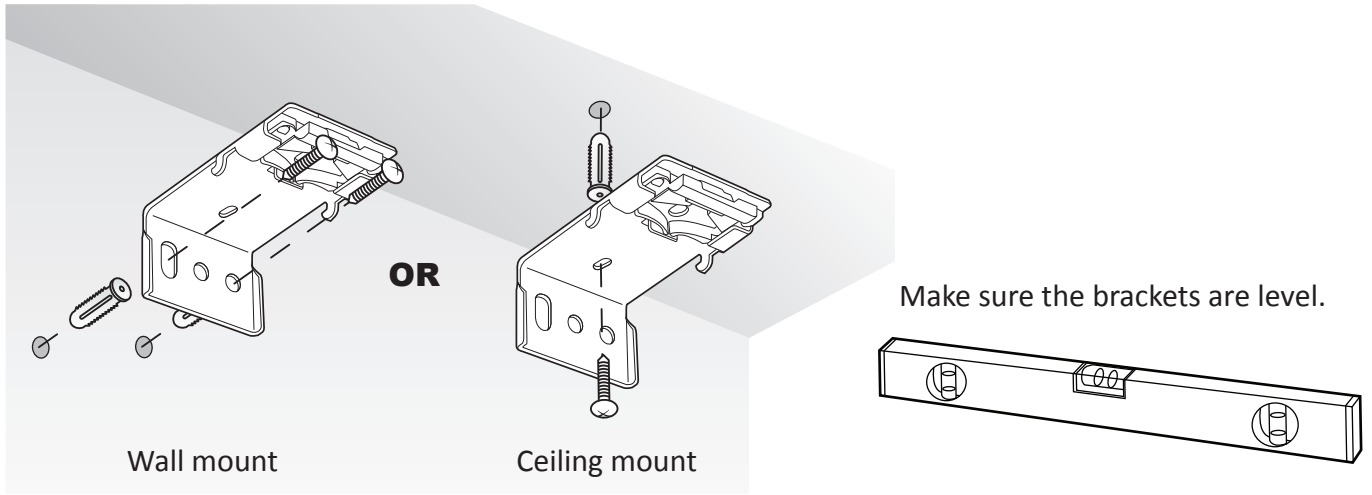


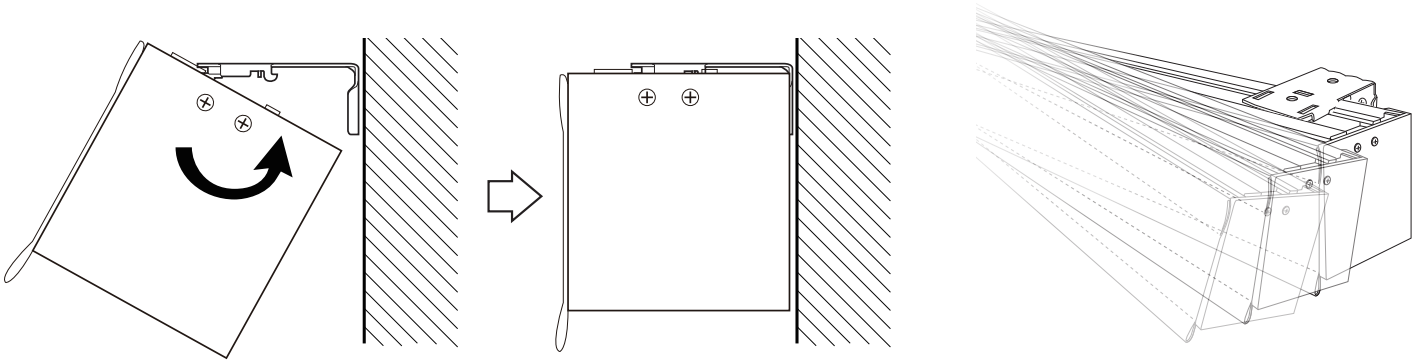
1 Check package for the complete set of parts.



2 Install brackets as wall or ceiling mount according to your preference.



3 "Place the front groove on the top of head rail into the bracket (as shown below). Then push in order to clip the rear head rail groove into the bracket."



4 Remove the plastic tape and raise the shade up and down straight by holding the bottom handle.

