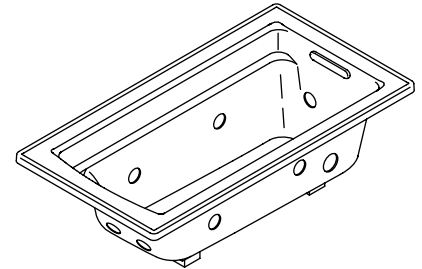


Features

- Acrylic
- 8 color-matched jets
- 1.25 hp pump with air switch and grounding-type plug-in cord
- Integral lumbar support
- Slotted overflow for maximum bathing depth
- Low threshold height
- Armrests
- 60" (152.4 cm) x 32" (81.3 cm) x 19" (48.3 cm)

5' (1.5 m) BATH WHIRLPOOL K-1122



Codes/Standards Applicable

Specified model meets or exceeds the following:

- ANSI Z124.1.2
- IAPMO/UPC
- Underwriters Laboratories (UL)
- ASME A112.19.7M

Colors/Finishes

- 0: White
- Other: Refer to Price Book for additional colors/finishes

Accessories:

- CP: Polished Chrome
- Other: Refer to Price Book for additional colors/finishes

Specified Model

| Model | Description | Colors/Finishes | |
|-----------------------------|--|-----------------------------|-------------------------------------|
| K-1122 | Drop-in rim style bath whirlpool | <input type="checkbox"/> 0 | <input type="checkbox"/> Other_____ |
| Required Accessories | | | |
| K-7272 | Bath drain – above or through-the-floor installation | <input type="checkbox"/> CP | <input type="checkbox"/> Other_____ |

Product Specification:

The acrylic bath whirlpool shall be 60" (152.4 cm) in length, 32" (81.3 cm) in width, and 19" (48.3 cm) in height. Bath whirlpool shall feature 8 color-matched jets and armrests. Bath whirlpool shall feature a 1.25 hp pump supplied with a grounding-type plug-in cord. Bath whirlpool shall have slotted overflow for maximum bathing depth, low threshold height, and integral lumbar support. Bath shall have armrests. Bath whirlpool shall be Kohler Model K-1122-_____.

ARCHER™

Technical Information

| | |
|---|--|
| Fixture*: | |
| Bathing well | |
| Basin area bottom | 45-1/8" (114.6 cm) x 19-11/16" (50 cm) |
| Basin area top | 52-3/4" (134 cm) x 25-5/16" (64.3 cm) |
| Weight | 110 lbs (50 kg) |
| To overflow | |
| Water depth | 15" (38.1 cm) |
| Capacity | 58 gal (219.5 L) |
| * Approximate measurements for comparison only. | |

| | |
|--|--|
| Drop-in cutout dimensions: | |
| 58-1/2" (148.6 cm) x 30-1/2" (77.5 cm) | |

| Pump: | Hp | V | Hz | A |
|---------|------|-----|----|---|
| 1-speed | 1.25 | 120 | 60 | 7 |

Pump is supplied with 24" (61 cm) grounding-type plug-in cord.

| | |
|------------------------------------|----------|
| Minimum access panel pump/control: | |
| 20" (50.8 cm) W x 15" (38.1 cm) H | required |

Required Electrical Service

Dedicated circuit required, protected with a Class A Ground-Fault Circuit-Interrupter (GFCI):

| | |
|--------------|--------------------|
| Pump/control | 120 V, 15 A, 60 Hz |
|--------------|--------------------|

Locate the outlet behind the whirlpool and within 24" (61 cm) of the pump.

Installation Notes

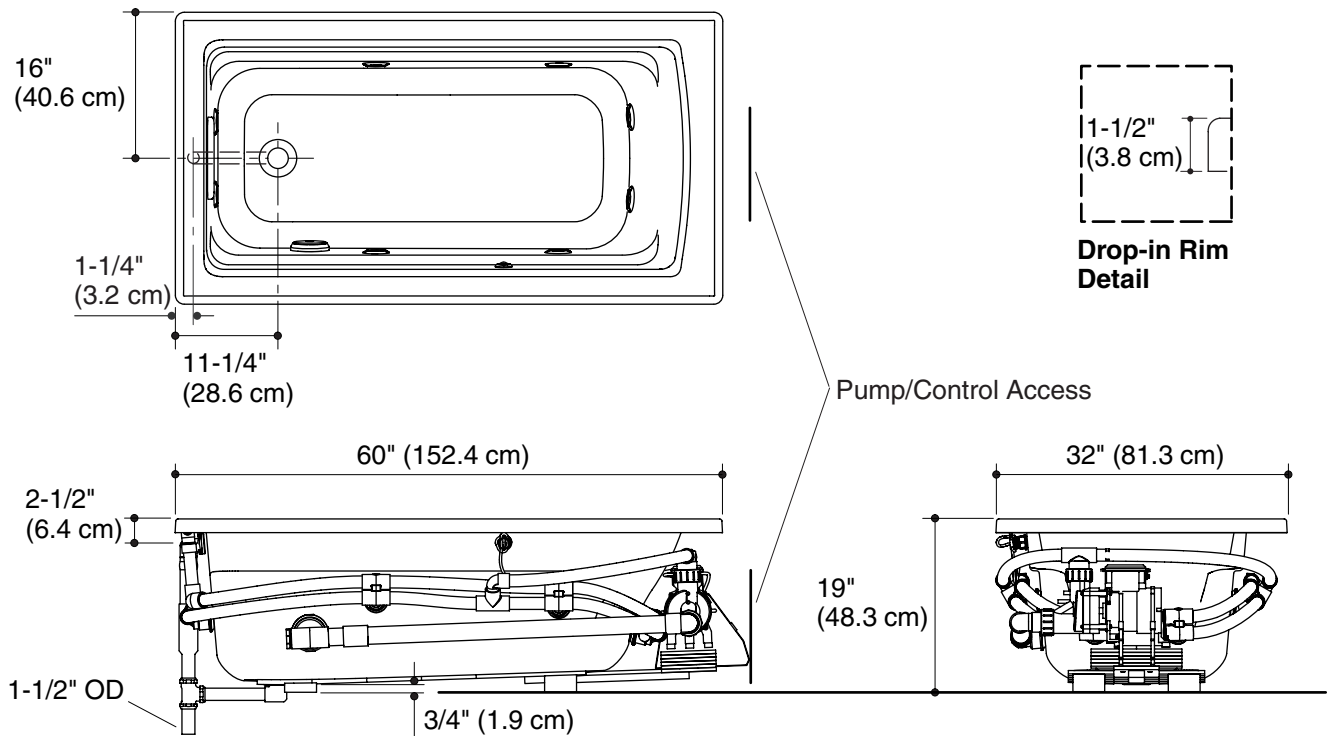
Install this product according to the installation guide.

Floor support under this product must provide for a minimum of 47 lbs/square foot (230 kg/square meter) loading.

This product is designed for drop-in installation only. It is not suited for use in a three-wall alcove with an overhead shower.

The hot water supply should be 70% of the capacity of the bath or greater. Installations will vary.

No change in measurements if connected with drain illustrated. (K-7272)



Product Diagram