

Experience. Innovation.

Residential Products



Add Basement Living Space
To Your Home



an AmesburyTruth™ company

800.854.9724
WWW.BILCO.COM

Basement Doors

Basement doors are ideal for access to basement storage areas and for moving large items into finished basement areas. The wide opening allows storage items such as deck and patio furniture, and large items such as pool tables and furniture, to be easily moved in and out of a basement. Doors meet IRC 2018 building code requirements for emergency egress in finished basement living areas and feature weather resistant construction.



Patented gas spring lift assistance for easy, one-handed operation.

Classic Series Steel Sided

Features:

- Patented gas spring lift assistance for improved operation
- Baked-on Sherwin Williams primer provides durable base for finish paint
- Slide bolt locking mechanism (optional keyed lock kit available)
- Flanged construction and J-channel header shed water and prevent binding due to ice and snow, permitting all-season use

For new home construction, see *PermEntry Basement Entrance* on page 6.

Available with a Powder Coat Paint Finish

BILCO Classic Series steel basement doors are now offered with a factory-applied polyester powder coat finish. The polyester resin provides a durable, weather-resistant coating. Cured at higher temperatures than most wet coatings, the result is a tougher and chip-resistant coating, providing both a decorative and protective finish.

Color Choices



White



Sandstone



Light Gray



Brick



Hunter Green (New)



Black (New)

See page 7 for additional information.

Contact us by phone: 800.854.9724 or email: residential@BILCO.com

Log on to www.BILCO.com to find a sales representative near you.

Classic Series Sloped Wall

Features:

- Heavy-duty steel construction
- Baked-on Sherwin Williams primer provides durable base for finish paint
- Corrosion-resistant zinc-plated, chromate-sealed hardware
- Lift assistance provides easy, one-hand operation
- Slide bolt locking mechanism (*optional keyed lock available*)
- Versatile frame design and optional foundation plates and extension panels allow the door to accommodate virtually any areaway

For new home construction, see PermEntry Basement Entrance on page 6.



For use on existing masonry sidewalls. Door shown with optional foundation plates, extensions and keyed lock kit.

Ultra Series

Features:

- Corrosion-resistant high-density, polyethylene construction
- Simulated wood design
- Pleasing driftwood color
- Will not rust and never needs painting
- Interchangeable side panel inserts allow homeowners to add light and/or ventilation to their basement areaway
- Motion dampers provided for safe and controlled door operation
- Slide bolt locking mechanism

For new home construction, see PermEntry Basement Entrance on page 6.



Available in Size C only



Wood grain texture



Louver and screen side panel window inserts

Contact us by phone: 800.854.9724 or email: residential@BILCO.com

Basement Doors

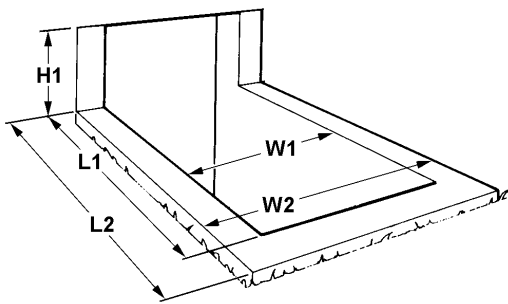
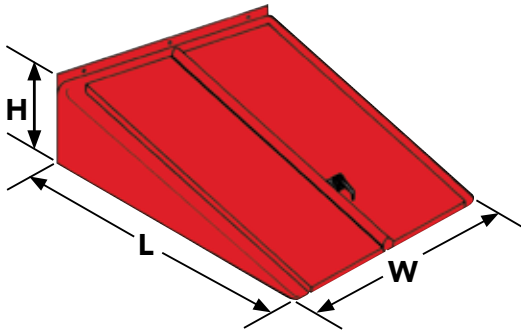
Basement Door Measuring Guide

Follow the instructions below to calculate the proper size door for your areaway. An electronic version of this sizing guide is also available at www.BILCO.com. Please contact BILCO if you are unable to find a standard door to fit your areaway.

Areaway — Flat Foundation

Ultra Series and Classic Series Doors

1. Discard your old door and measure (in inches) the dimensions of the areaway foundation.
2. Measure dimension W1, the inside width, and dimension W2, the outside width of the areaway foundation walls. Record your dimensions below and make the calculation shown.
3. Measure dimension L1, the inside length, and dimension L2, the outside length of the areaway foundation walls. Record your dimensions and make the calculation shown.
4. Measure dimension H1, the height from the top of the areaway foundation to the top of the opening in the house foundation.
5. Select the door from the table to the right with a width between W1 and W2 and length between L1 and L2.



Basement Door Dimensions

Door Size	Width (W) (inches)	Length (L) (inches)	Height (H) (inches)	Door Opening	
				Length (inches)	Width (inches)
B	51	64	22	60	44
C*	55	72	19½	67	48
O	47	58	30	58	40
SL	51	43¼	52	60	44

*Ultra Series Doors are available in Size C only

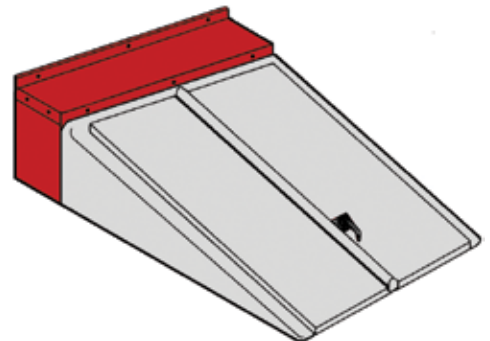
Record your foundation dimensions here

Width
W1 + 4" = _____
W2 = _____

Length
L1 + 2" = _____
L2 = _____

Height
H1 = _____

Extensions are available to increase the door length for Size C Ultra and Classic Series doors. Classic Series extensions are available in 6", 12", 18", 24" and 30" lengths and two or more can be mounted back to back to increase the door length. Ultra Series extensions are available in 6" and 12" lengths and two extensions can be combined to increase the door length.



Contact us by phone: 800.854.9724 or email: residential@BILCO.com

Log on to www.BILCO.com to find a sales representative near you.

Areaway — Sloped Masonry

Classic Series SLW Doors

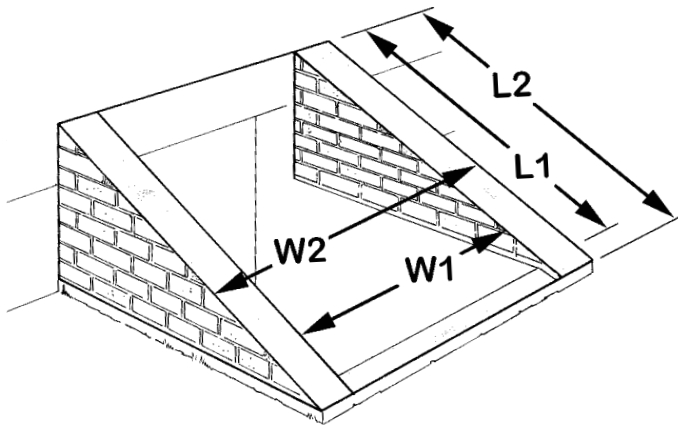
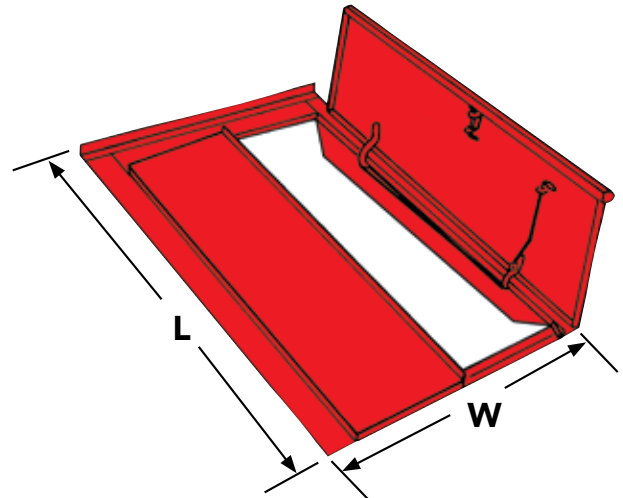
1. Discard your old door and measure the dimensions of the areaway foundation as shown.
2. Measure dimension W1, the inside width, and W2, the outside width of the foundation sloped sidewalls. Walls may not be uniformly spaced, so check at several points for the narrowest dimension.
3. Measure dimension L1, the inside length, and L2, the outside length of the areaway foundation. Record your dimensions and make the calculation shown.
4. Select the widest and longest SLW Door from the table to the right that will fit between the foundation sidewalls. Frame length should be between $L1 + 2''$ and $L2$. Frame length can be extended with optional extension panels.

Sloped Wall Basement Door Dimensions

For inside width (inches) (W1) of:	Select Door Model	*Outside Width (W) (inches)	**Length (L) min – max (inches)	Door Opening	
				Length (inches)	Width (inches)
36 - 41	SLW3641	45¼	65¼ - 67¾	57	30
46 - 51	SLW4651	55¼	65¼ - 67¾	57	40
47 - 51	SLW4751	55¼	74½ - 77	67	40
50 - 55	SLW5055	59¼	67¾ - 70¼	60	44
54 - 59	SLW5459	63¼	74½ - 77	67	48

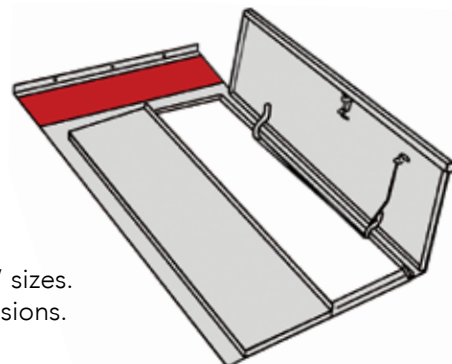
* The frame of the door must overlap the foundation sidewalls by at least 2" on each side.

** The SLW door length is adjustable for installation flexibility.



Record your foundation dimensions here

Width	Length
W1 (minimum) = _____	$L1 + 2'' =$ _____
W2 = _____	L2 = _____



Extensions are available to increase the door length in 6" and 12" sizes. Two or more extensions can be over-lapped to make longer extensions.

Contact us by phone: 800.854.9724 or email: residential@BILCO.com

PermEntry®

Consisting of a precast concrete stairwell and either a Classic Series or Ultra Series basement door, PermEntry is the fastest and most economical way to add convenient, direct basement access to any home. PermEntry is ideal for new home construction or remodeling projects and can be delivered and installed in just a few hours by a PermEntry dealer.

Plan for it on New Homes

The PermEntry Basement Entrance adds sales appeal and value by giving homeowners access directly from the basement to the outdoors. When you plan for a PermEntry Basement Entrance, you open up your basement to a number of opportunities, including:

- External basement exit in case of an emergency
- Access to mechanical equipment during construction, reducing traffic and damage to the main level of the home
- Ability to move large furniture, bulky appliances and patio furniture easily through the basement
- Additional quality selling features your customers will recognize and appreciate
- A basement as convenient and easy to use as other rooms in the home

Add it to an Existing Home

Homeowners and remodeling contractors can add the convenience of direct basement access by following these simple steps:

- Contact a PermEntry dealer to determine if your home is suitable for a PermEntry installation
- Stake off the area to be excavated. Call local utility companies to verify power and utility line locations
- Hire an excavating or landscaping contractor to dig the opening for the precast stairwell (see page 7 for opening requirements)
- Contact a contractor to saw cut an opening in your foundation wall. A PermEntry dealer can help you find a contractor
- Ask your PermEntry dealer for help on determining the proper size of your areaway and to set up delivery and installation
- Once the entrance has been installed, back-fill and landscape the area around the new basement entrance

You Supply the Foundation Opening... PermEntry Does the Rest!

BILCO has a national network of licensed PermEntry dealers. To find a dealer near you, visit www.BILCO.com. Complete installation of the precast stairwell and door is typically done in less than two hours.



1.

The foundation opening is prepared to receive the PermEntry casting. Holes for the special high-strength bolts are drilled through the foundation.



2.

Facing surfaces are coated with self-sealing butyl resin strip sealant for a watertight seal and rods are threaded into anchors built into the casting.



3.

The PermEntry precast stairwell is lowered into position onto the foundation footing and secured through the foundation wall.



4.

The BILCO door is assembled and anchored to the precast stairwell. The area is then backfilled and landscaped to complete the installation.

Contact us by phone: 800.854.9724 or email: residential@BILCO.com

Log on to www.BILCO.com to find a sales representative near you.

Basement Accessory Products

Keyed Lock Kit

With a BILCO basement door lock, a simple turn of the key opens the door from the outside, providing convenient access to basement storage areas, workshops, playrooms and utility rooms. The lock kit is designed for homeowner installation and is supplied with a template and complete instructions for quick, easy installation.



Foundation Plates

Used in both new and retrofit applications, foundation plates improve an areaway's appearance, cover rough masonry, reduce the inside areaway width, or provide side support in corner installations. Formed plates are constructed of prime-painted steel and are available with an optional powder-coat paint finish (see available colors on page 2). Foundation plates are 72" in length and are available in 5", 8", 11" and 14" widths.



Stair Stringers

Stringers are available for all size BILCO basement doors. Constructed of heavy gauge galvanized steel, stringers are ideal for replacing existing wooden basement steps. The removable tread design allows bulky items to be easily moved into the basement for storage.

Standard Sizes

Basement Door	Stair Stringer		
	Model	Stringer Length	No. of Stair Treads
Size SL	Size SL-SS	34 $\frac{5}{8}$ "	4
Size O	Size O-SS	51 $\frac{3}{8}$ "	6
Size B	Size B-SS	59 $\frac{3}{4}$ "	7
Size C	Size C-SS	68 $\frac{1}{8}$ "	8

Multiple stringers can be used together and extensions (SZ-E-SS) are also available for non-standard areaways. Extensions are 25 $\frac{1}{4}$ " in length and add 3 stair treads.



Weather Strip Kit – **NEW**

BILCO's new weather strip kit is easy to install and includes a series of gaskets specifically designed to seal the intricate shape and areas of a basement door. The kit is supplied with complete installation instructions and the only tools required are tin snips or large scissors. Simply trim the materials as instructed to match your specific door model (possibly even other brands of steel basement doors) and enjoy your well-sealed areaway.



Contact us by phone: 800.854.9724 or email: residential@BILCO.com

Window Wells

BILCO window well systems add natural daylight and ventilation to basement rooms, making them as warm and comfortable as any area in the home. Window well systems meet IRC 2018 building code requirements for emergency egress and are constructed of non-corrosive materials for many years of maintenance free service.



Heavy duty molded panels feature a structural foam core for added strength and rigidity



Consists of side-and step-panels that simply snap together on-site

ScapeWEL® Window Well System

Features:

- Step design aids emergency egress and can be landscaped with plants or flowers for added visual enhancement
- High-density polyethylene molded construction will never rust, rot, or change color and is UV-stabilized for long life
- Attractive driftwood color complements basement interior and blends with any architecture
- Easily cleaned with standard household cleaners
- Available in a number of sizes to accommodate virtually any foundation height

Contact us by phone: 800.854.9724 or email: residential@BILCO.com

Log on to www.BILCO.com to find a sales representative near you.

StakWEL[®] Modular Window Well System

Features:

- Modular system provides corrosion resistant performance at "steel-like" prices
- High-density polyethylene molded construction will never rust, rot or change color and is UV-stabilized for long life
- Unique "Grip/Step" design features convenient handle and gusseted step to meet emergency egress requirements
- Neutral driftwood color and pebbled interior finish will complement the interior of any home
- Overlapping ribs and tabbed inserts lock module together to form a cohesive assembly
- Modular system can be used on foundations of ten foot and greater in depth



Modules can be stacked to accommodate virtually any foundation height



Single modules work well with utility windows

Contact us by phone: 800.854.9724 or email: residential@BILCO.com

Window Wells

Selecting the Proper Size

Step 1:

Measure or calculate dimension (A) as shown in the detail on the right based on the site's grade conditions and foundation height.

Step 2:

Determine the required window well side panel height by performing this simple calculation:

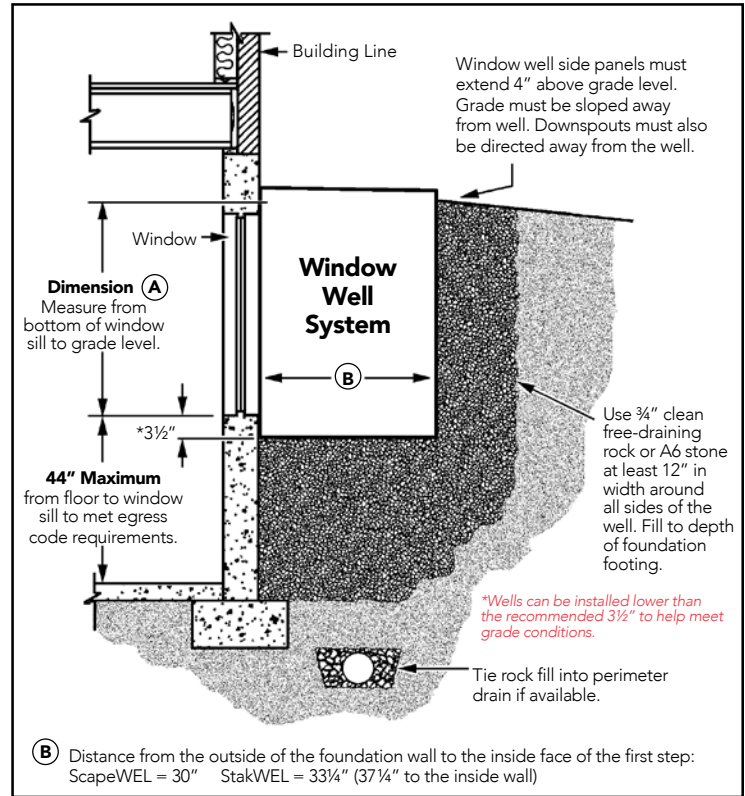
$$\text{Required Side Panel Height} = \text{Dimension (A)} + 7\frac{1}{2}"$$

From the table below, select the closest height that will meet the site conditions.

Step 3:

Once the side panel height has been determined, read across and select the desired window width. With the window size selected, read across to select the proper window well and cover.

Note: Both StakWEL® and ScapeWEL® models satisfy building code requirements for emergency egress.



Standard Sizes and Model Numbers

ScapeWEL® Window Well System									
Model No.	No. of Tiers (steps)	Inside Width	Projection from Foundation	Side Panel Height			Maximum Window Width		Optional Dome Cover
				Standard	With Extension*		Wall Mount	Buck Mount	
					Height	Model No.			
4048-42	2	42"	41"	48"	X	X	42"	38"	4042C
4048-54	2	54"	41"	48"	X	X	54"	50"	4054C
4048-66	2	66"	41"	48"	X	X	66"	62"	4066C
4862-42	3	42"	49"	62"	81"	3019-42	42"	38"	4842C
4862-54	3	54"	49"	62"	81"	3019-54	54"	50"	4854C
4862-66	3	66"	49"	62"	81"	3019-66	66"	62"	4866C

X - Not Available.

*Extensions are only available for 3-tier window well models. Note: The distance from the outside of the foundation wall to the inside face of the first step is 30".

StakWEL® Modular Window Well System					
Model No.	Height Based on No. of Modules	Inside Width	Keyhole Centers	Projection from Foundation	Optional Dome Cover
stkwl	(1) = 21"	54"	58"	40 1/4"	stkwl-c
stkwl	(2) = 36 3/8"	54"	58"	40 1/4"	stkwl-c
stkwl	(3) = 51 3/4"	54"	58"	40 1/4"	stkwl-c
stkwl	(4) = 67 1/8"	54"	58"	40 1/4"	stkwl-c
stkwl	(5) = 82 1/2"	54"	58"	40 1/4"	stkwl-c
stkwl	(6) = 97 7/8"	54"	58"	40 1/4"	stkwl-c

Note: StakWEL Window Wells cannot be used with 60" wide windows. Use ScapeWEL model for this window size.

Window Well Dome Cover Option

Limits the accumulation of snow, leaves and debris. Constructed of polycarbonate, this high impact cover is UV-resistant and designed for durability and long life.

Note: For applications with a casement window, the well must be installed so that it is above the top of the window for a dome cover to be utilized.



ScapeWEL Dome Cover



StakWEL Dome Cover

Contact us by phone: 800.854.9724 or email: residential@BILCO.com

Log on to www.BILCO.com to find a sales representative near you.



Services and Programs

Installation through BILCO Independent Installers

BILCO residential products are available through a network of independent installers. These installers are part of BILCO's Independent Installer Program, a partnership program that provides installation services for new construction or remodeling projects using BILCO basement doors and/or window well systems.

Every BILCO independent installer has a proven history of quality installation services and/or business practices and has completed the BILCO product field training program.

If you are a homeowner looking to add a BILCO residential product to your home, a BILCO independent installer can help! To find an installer in your area, www.bilco.com.



BILCO Model Home Programs

Experienced builders know that BILCO products add value, quality selling features and more saleable square footage to their homes. That's why many large builders turn to BILCO for help in their model home programs. BILCO offers a number of model home programs, each specifically designed to help builders meet their individual needs and product demands. To learn more, go to www.bilco.com.

Warranty

BILCO residential products are backed by a five-year warranty* against defects in material and workmanship provided that the product has been installed in accordance with the manufacturer's instructions. BILCO products are designed to operate to the customer's satisfaction and to provide years of trouble-free service. Should a part fail to function in normal use within this time period from the date of purchase, a new part will be furnished at no charge.

**The Powder Coat finish on the Classic Series Basement Door carries a 1-year warranty. This warranty covers peeling, cracking, chalking and fading of the coating and does not cover scratches or other damage to the coating.*



Contact us by phone: 800.854.9724 or email: residential@BILCO.com

Experience. Innovation.

- *Commercial Access Products*
- *Fire Protection Products*
- *Basement Access Products*
- *Basement Egress Products*

North American Sales

United States

The BILCO Company

Phone: 800.854.9724

Fax: 740.455.3400

E-mail: residential@BILCO.com

Canada

BILCO Canada

Phone: 519.659.7331

Fax: 519.455.8593

E-mail: canada@BILCO.com

800.854.9724

WWW.BILCO.COM



an Amesbury **Truth** company