



Ranges

Gas Slide-In Range
with ProBake
Convection[®]

QUICK INSTALL & CLEARANCES

LSSG3019BD

LSSG3016ST

For full installation directions/clearances please refer to the corresponding User Manual and Installation Guide.

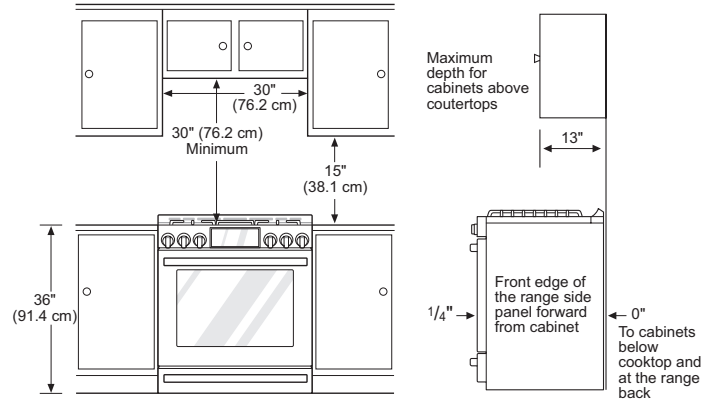
DIMENSIONS/CLEARANCES/WEIGHT

Shipping Weight	238.1 lbs
Product Weight	170.6 lbs
Cabinet Width (in)	30"
Overall Depth (in) - including door	26-9/16"
Overall Depth (in) - including handle	28-15/16"
Overall Height (in)	37-1/10"
Overall Width (in)	29-7/8"
Oven Interior Dimensions (W x H x D)	24-13/16" x 22" x 20"
Height to Cooking Surface (in)	36"
Warming Drawer Dimensions (W x H x D)	22-1/4" x 4-1/2" x 16-1/2"
Carton Dimensions (W x H x D)	32-1/2" x 45-1/2" x 30-1/2"

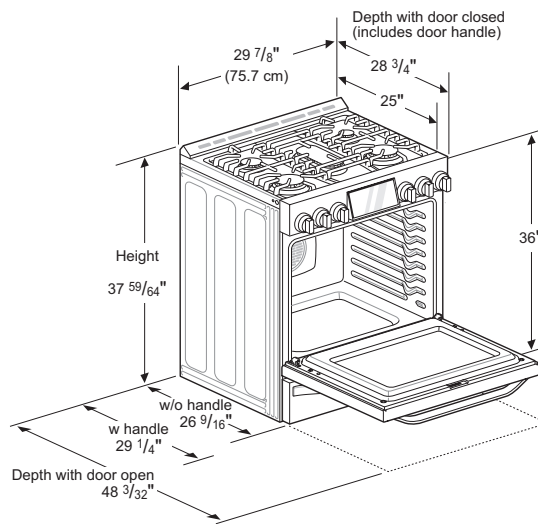
POWER/RATINGS

Amp Rating at 120V	8.66A
KW Rating at 120V	1,039 kW

INSTALLATION CLEARANCES



DIMENSIONS



GAS PIPE AND ELECTRICAL OUTLET LOCATIONS

