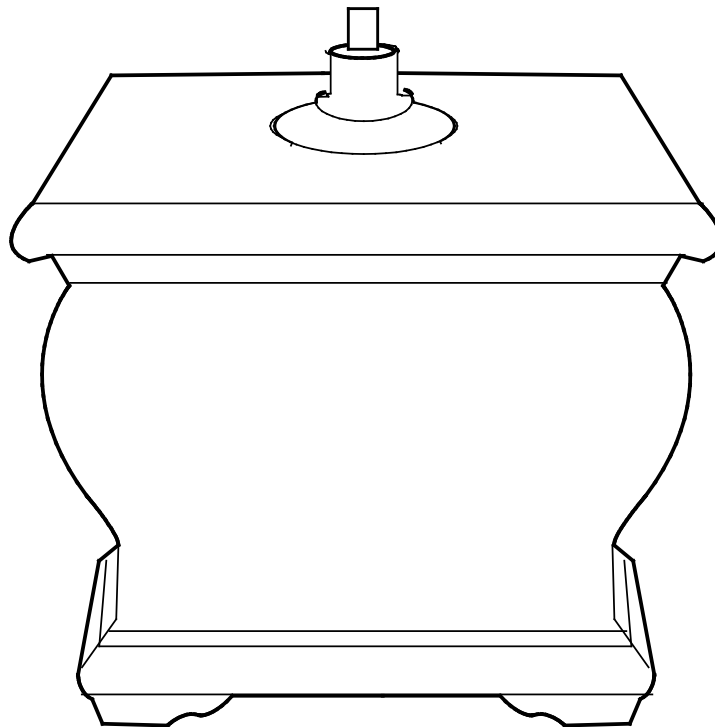




Item #1000 025 915
Model #69830

USE AND CARE GUIDE

OUTDOOR CITRONELLA OIL-BURNING TABLE TORCH



Questions, problems, missing parts? Before returning to the store,
call Hampton Bay Customer Service
8 a.m. - 6 p.m., EST, Monday-Friday

1-855-HD-HAMPTON

HAMPTONBAY.COM

THANK YOU

We appreciate the trust and confidence you have placed in Hampton Bay through the purchase of this citronella oil-burning table top. We strive to continually create quality products designed to enhance your home. Visit us online to see our full line of products available for your home improvement needs. Thank you for choosing Hampton Bay!

Table of Contents

Table of Contents	2
Safety Information.....	2
Precautions.....	2
Citronella Fuel Precautions.....	2
First Aid Treatment	2

Warranty	3
Pre-Assembly	4
Planning Assembly.....	4
Package Contents	4
Assembly	5
Operation	6

Safety Information

PRECAUTIONS

Please read and understand all precautions and instructions in this manual before use.

Retain this manual for future reference.

1. Find a suitable outdoor-only location for the torch. Do not place the torch under a covered shelter, near pedestrian traffic, or combustibles such as wood structures, fuel, clothing, or dry vegetation.
2. Remove the hang tag and any other warnings before lighting and retain for reference.



WARNING: Read all instructions and canister label warnings carefully before igniting.



WARNING: Risk of serious injury. Never place face, hair, or clothes near a burning flame.



WARNING: Keep out of reach of children and pets.



WARNING: Never leave this product unattended.



WARNING: Hot while in use.



WARNING: To prevent burn injuries, snuff and allow the product to cool for 30 minutes before handling, refilling, or cleaning.



WARNING: To avoid any serious injury or property damage, please follow all instructions and warnings.



WARNING: For outdoor use only.

CITRONELLA FUEL PRECAUTIONS



WARNING: Contents and fumes are harmful. Do not swallow. Do not get in eyes or on skin or clothing. Do not breathe fumes.



WARNING: For outdoor use only! Use only in a well-ventilated area.



WARNING: Do not mix with any other product or chemical. Use only with citronella fuel that is designed for outdoor torches or lamps.



WARNING: Keep away from flames or sparks.



WARNING: Do not use in windy conditions.



WARNING: Do not tip the torch as fuel can spill and cause fire or serious injury.



WARNING: Do not use the canister outside of the torch receptacle.

FIRST AID TREATMENT

Follow the instructions on the purchased citronella fuel container (not included) carefully. If swallowed, call a poison control center or doctor immediately. Do not induce vomiting. If fuel gets in eyes or on skin, rinse well with water for 15 minutes. If fuel gets on clothes, remove clothes. If fumes are breathed in, move to a location with fresh air.

Seek medical attention immediately for any of the above!

Warranty

LIMITED WARRANTY

If this product fails due to a defect in materials or workmanship at any time during the first one year of ownership, the manufacturer will replace it free of charge, postage-paid at their option. This warranty does not cover products which have been abused, altered, damaged, misused, cut, or worn.

This warranty does not cover use in commercial applications. The manufacturer disclaims all other implied or express warranties including all warranties of merchantability and/or fitness for a particular purpose. As some states do not allow exclusions or limitations on an implied warranty, the above exclusions and limitations may not apply. This warranty gives you specific legal rights, and you may have other rights that vary from state to state.

This warranty is limited to the replacement of defective parts only. Labor charges and/or damage incurred during installation, repair, replacement as well as incidental and consequential damages connected with the above are excluded. Any damage to this product as a result of neglect, misuse, accident, improper installation or use other than the purpose SHALL VOID THIS WARRANTY.

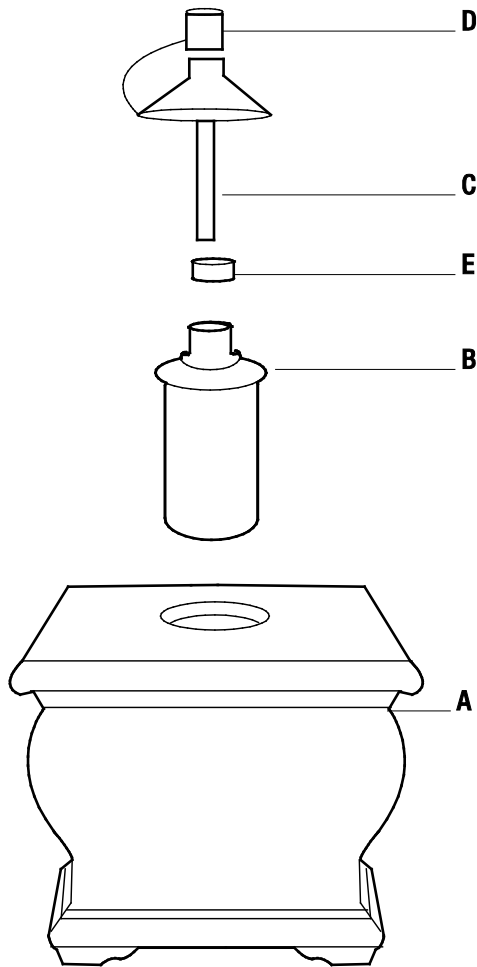
Contact the Customer Service Team at 1-855-HD-HAMPTON or visit www.HamptonBay.com.

Pre-Assembly

PLANNING ASSEMBLY

Compare all parts against the Package Contents list. If any part appears missing or damaged, do not assemble or use this product. Contact the Customer Service Team at 1-855-HD-HAMPTON.

PACKAGE CONTENTS

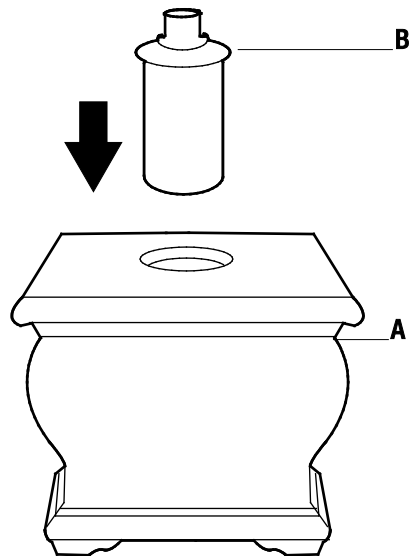


Part	Description	Quantity
A	Table-top base	1
B	Citronella canister	1
C	Wick (pre-attached to Citronella canister (B))	1
D	Snuffer (pre-attached to Citronella canister (B))	1
E	Child-resistant cap (pre-attached to Citronella canister (B))	1

Assembly

1 Assembling the table torch

- Place the base (A) on a firm level surface.
- Insert the citronella canister (B) into the top of the base (A).
- Proceed to the Operation section of this manual. Read carefully before first use.



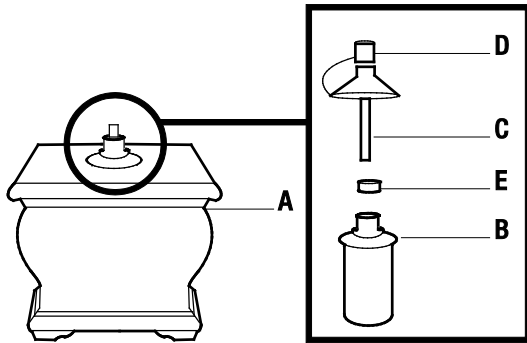
Operation

1 Filling the canister with fuel



WARNING: Do not mix with any other product or chemical. Use only with citronella fuel that is designed for outdoor torches or lamps. Never use gasoline, kerosene or other flammable fuels.

- To open the cap (E), push down and turn counter-clockwise.
- While wearing rubber safety gloves, remove the wick (C) and fill with citronella fuel (not included) to the fill level indicated on the canister (B). Do not overfill.
- Insert the wick (C) into the canister (B) and place the canister (B) back into the base (A). Retain the cap (E) for storage.

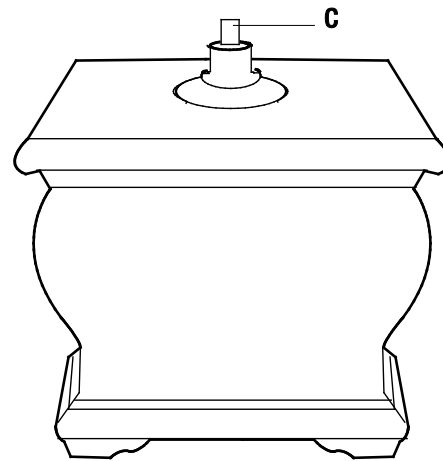


2 Lighting the torch



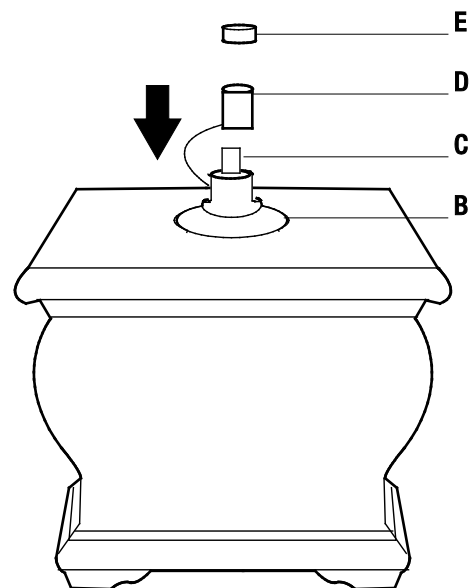
CAUTION: Keep clothing, hair, and your face away from the flame when lighting. The use of a long-stem lighter is recommended.

- Allow the wick (C) to become saturated with fuel. Ensure the exposed wick (C) is no higher than $\frac{3}{4}$ in.
- Light the wick (C) with a long-stem lighter (not included).



3 Extinguishing the torch

- Use the snuffer (D) to completely cover the wick (C) until the flame is extinguished. To prevent the snuffer (D) from igniting, remove after the flame is extinguished and allow the wick (C) to cool.
- Replace the child-resistant cap (E) onto the canister (B) by turning clockwise tightly to protect the wick (C) from the elements.





Questions, problems, missing parts? Before returning to the store,
call Hampton Bay Customer Service
8 a.m. - 6 p.m., EST, Monday-Friday

1-855-HD-HAMPTON

HAMPTONBAY.COM

Retain this manual for future use.