

72"

Item Number:

389-V72-CFO-A
389-V72-LTO-A

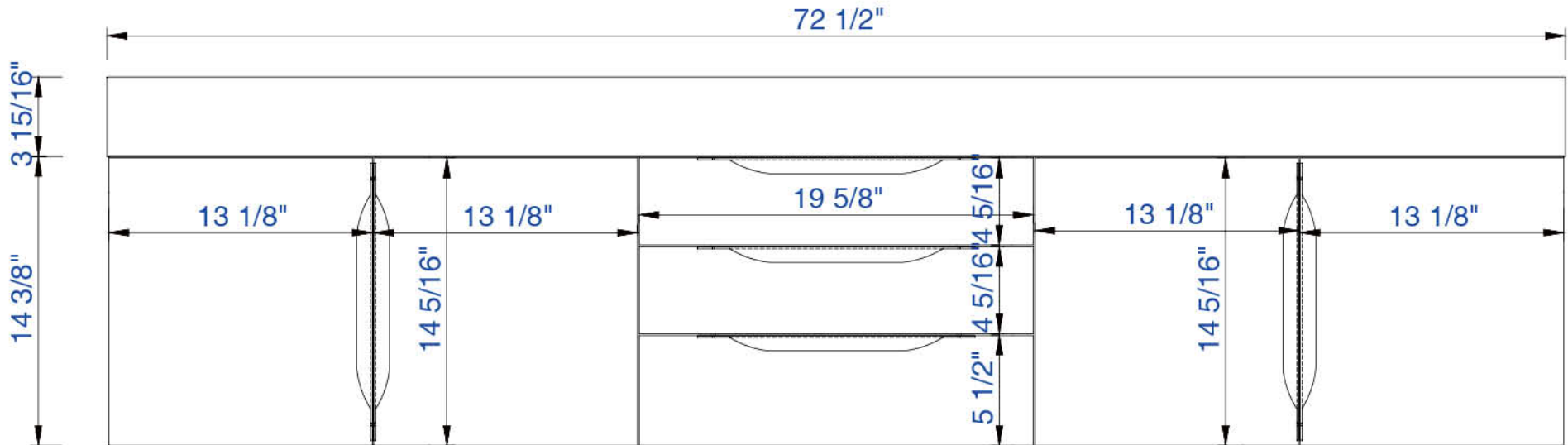
JAMES MARTIN



VANITIES

Mercer Island 72" Cabinet

Diagrams with Dimensions
page 01 of 03



NOTE ONE: Married Countertop is standard for this cabinet
NOTE TWO: This vanity does not have a Backsplash.

72"

Item Number:

389-V72-CFO-A
389-V72-LTO-A

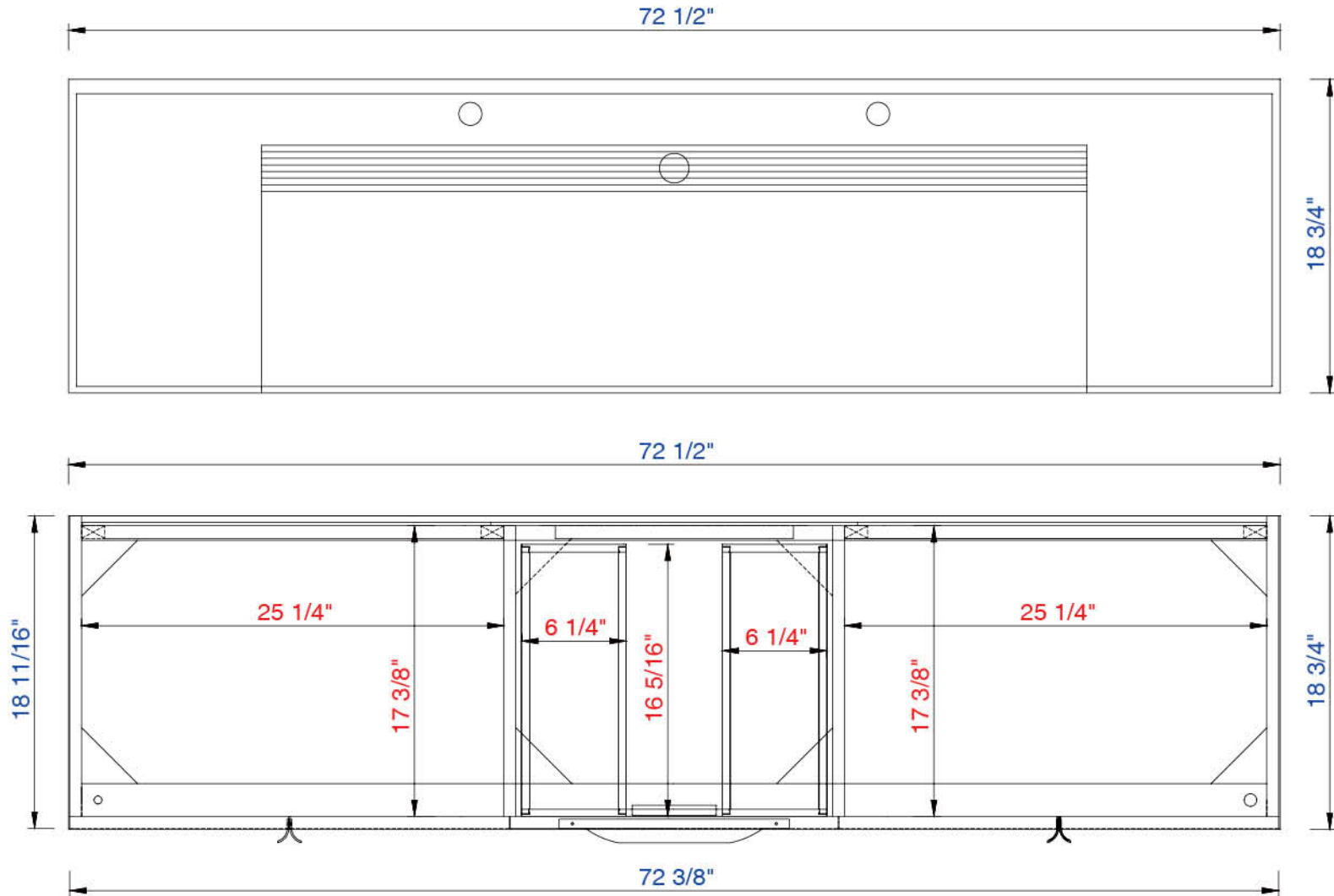
JAMES MARTIN



VANITIES

Mercer Island 72" Cabinet

Diagrams with Dimensions
page 02 of 03



NOTE ONE: Married Countertop is standard for this cabinet

72"

Item Number:

389-V72-CFO-A
389-V72-LTO-A

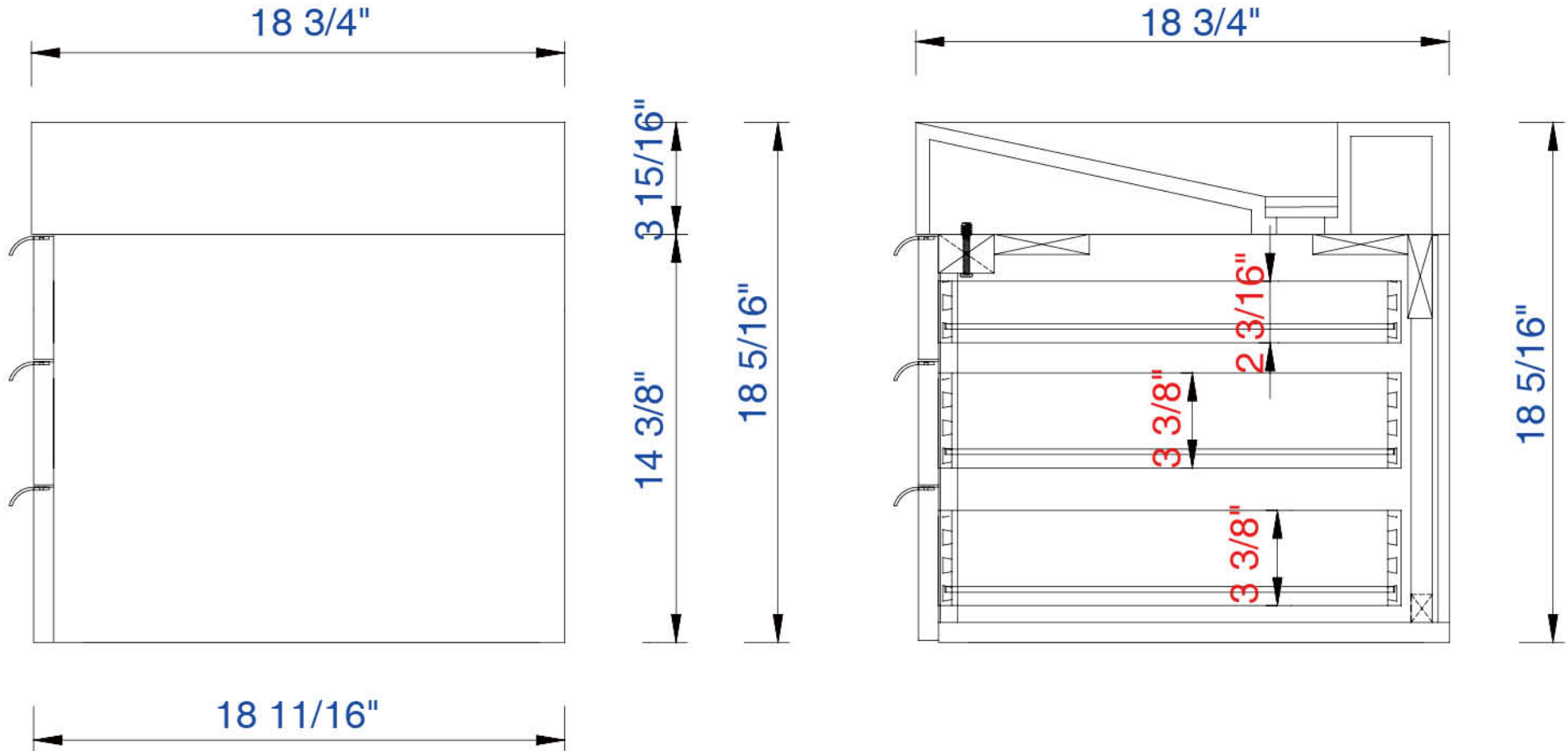
JAMES MARTIN



VANITIES

Mercer Island 72" Cabinet

Diagrams with Dimensions
page 03 of 03



NOTE ONE: Married Countertop is standard for this cabinet
NOTE TWO: This vanity does not have a Backsplash.

1829mm

Item Number:

389-V72-CFO-A
389-V72-LTO-A

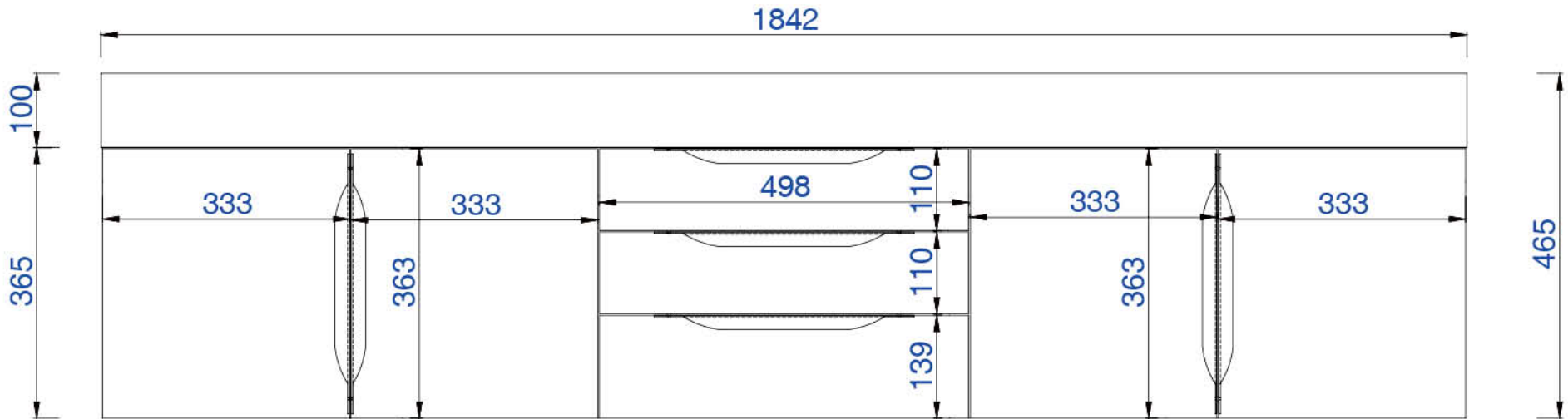
JAMES MARTIN



VANITIES

Mercer Island 1829mm Cabinet

Diagrams with Dimensions
page 01 of 03



NOTE ONE: Married Countertop is standard for this cabinet
NOTE TWO: This vanity does not have a Backsplash.

1829mm

Item Number:

389-V72-CFO-A
389-V72-LTO-A

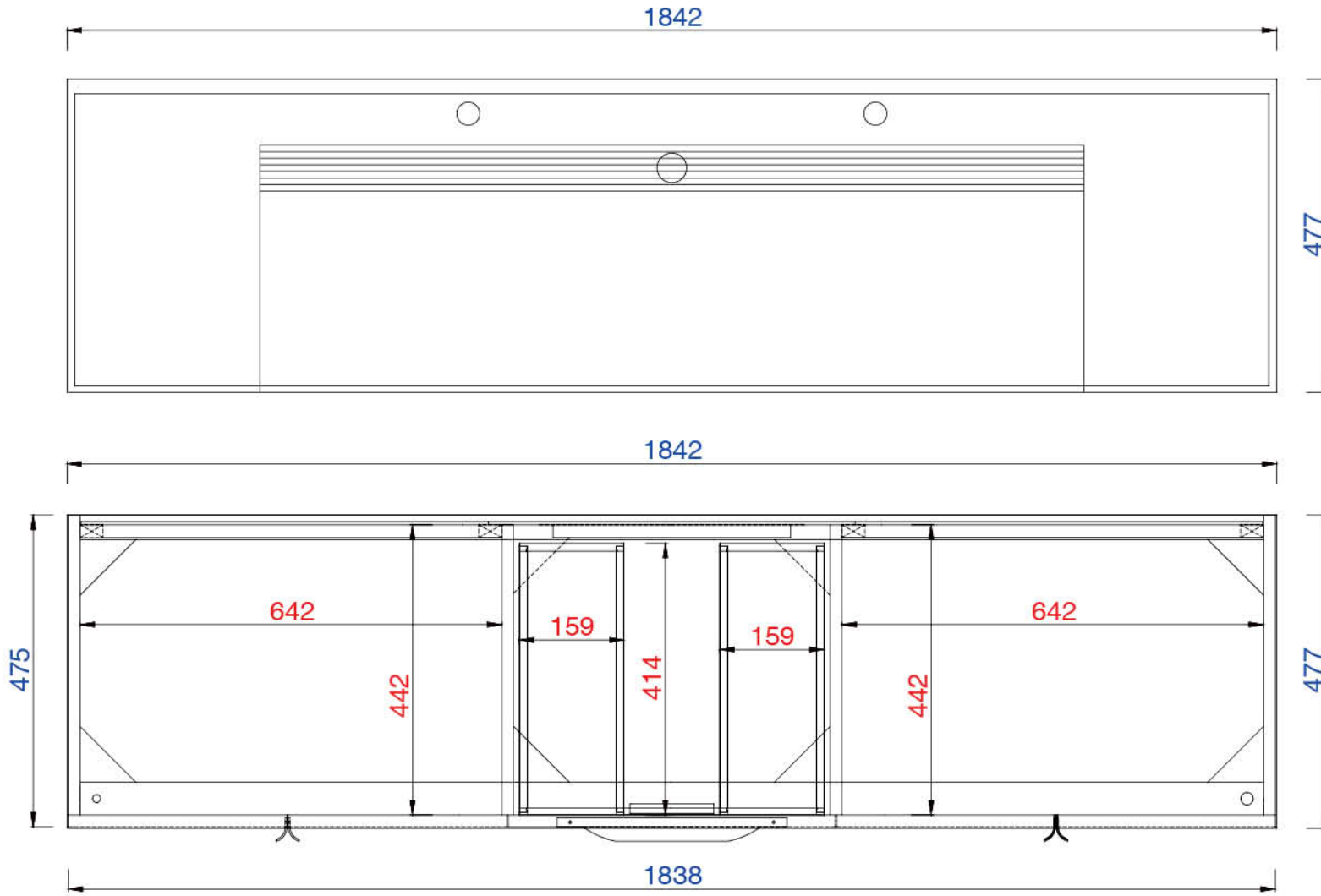
JAMES MARTIN



VANITIES

Mercer Island 1829mm Cabinet

Diagrams with Dimensions
page 02 of 03



NOTE ONE: Married Countertop is standard for this cabinet

1829mm

Item Number:

389-V72-CFO-A
389-V72-LTO-A

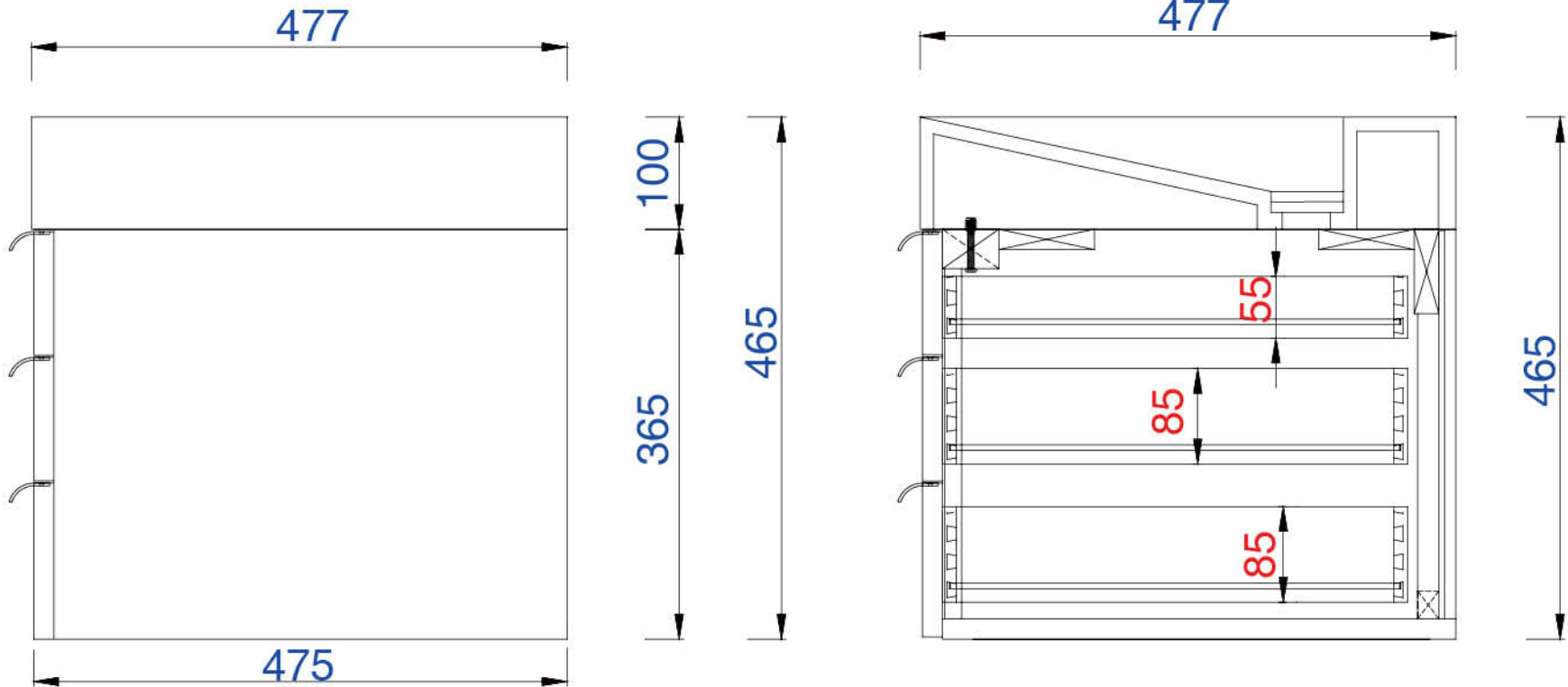
JAMES MARTIN



VANITIES

Mercer Island 1829mm Cabinet

Diagrams with Dimensions
page 03 of 03



NOTE ONE: Married Countertop is standard for this cabinet
NOTE TWO: This vanity does not have a Backsplash.