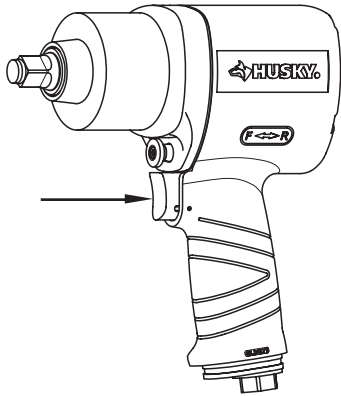


Operation

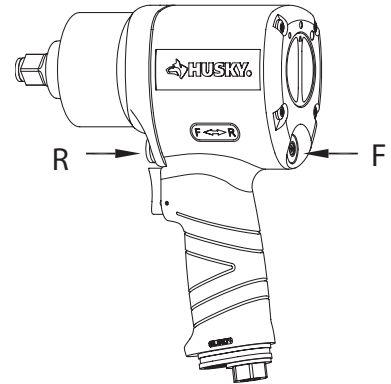
1 Operating the impact wrench

- This Impact Wrench is designed to operate on 90 PSIG. Lower pressure (below 90 PSIG) will reduce performance of the tool. Higher air pressure (over 90 PSIG) raises the performance of the tool beyond its rated capacity and could cause serious damage to the tool and the user.



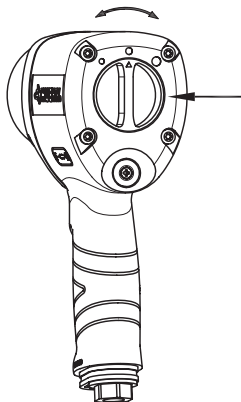
2 Changing the output torque direction

- This tool features a reverse switch to change the output torque direction to tighten (assemble) or loosen (disassemble) the bolt or fastener.
- Control the output torque direction by pushing the reverse switch button to the F (Forward) or R (Reverse) position to change the direction.



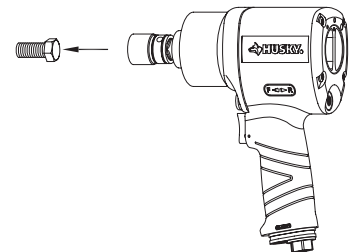
3 Changing the output torque level

- This tool features a power management switch. This tool operates in the maximum power in the Reverse position and has three steps in the Forward position.
- Turn the regulator until the desired output torque level is achieved. The position with the smallest circle has the least amount of power and the position with the largest circle has the most amount of power. The settings on the regulator are only for reference and do not denote a specific power output.



4 Tightening/loosening the bolts or fasteners

- Place the rotation push button located above the trigger of the impact wrench to the correct direction. Push the button forward for the Forward position and push the button back for the Reverse position.
- To control power in either the forward direction or the reverse direction, adjust the regulator knob located at the foot of the handle of the impact wrench.
- Fit the correct size socket to the anvil of the impact wrench.
- Hold the impact wrench with one hand and place the socket onto the nut/bolt to be tightened or removed. Press the trigger and stop the operation once the nut/bolt is removed or tightened.



WARNING: Once a bolt or fastener is seated, impacting for longer than five (5) seconds will cause excessive wear and possible damage to the impact mechanism. If it takes longer to tighten or loosen your bolt or fastener, we recommend the use of a larger sized impact wrench.