

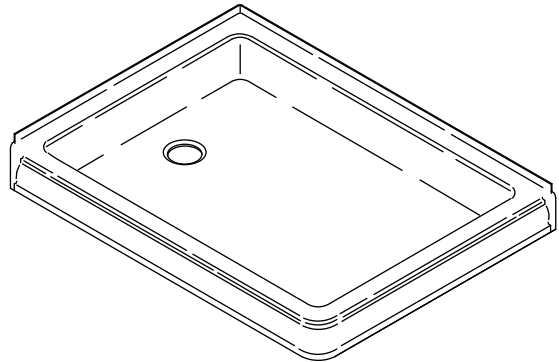
#### Features

- Acrylic
- Molded-in floor pattern
- Reinforced with fiberglass (FRP)
- Double threshold
- Left or right drain
- 48" (1219 mm) x 34" (864 mm)

#### Codes/Standards Applicable

Specified model meets or exceeds the following:

- CSA B45.5/IAPMO Z124
- TAS
- ASTM E162
- ASTM E662



#### Colors/Finishes

- 0: White
- Other: Refer to Price Book for additional colors/finishes

#### Accessories

- 0: White
- BH: Bright Brass
- CP: Polished Chrome
- PB: Vibrant® Polished Brass
- SH: Bright Silver
- Other: Refer to Price Book for additional colors/finishes

#### Specified Model

Model	Description	Colors/Finishes	
K-9547	48" (1219 mm) x 34" (864 mm) shower base with outlet on left	<input type="checkbox"/> 0	<input type="checkbox"/> Other_____
K-9548	48" (1219 mm) x 34" (864 mm) shower base with outlet on right	<input type="checkbox"/> 0	<input type="checkbox"/> Other_____

#### Recommended Accessories

K-9132	Shower drain with grid strainer	<input type="checkbox"/> CP	<input type="checkbox"/> PB	<input type="checkbox"/> Other_____
--------	---------------------------------	-----------------------------	-----------------------------	-------------------------------------

#### Optional Accessories

K-701566	Focal™ pivot shower door with panel*	<input type="checkbox"/> 0	<input type="checkbox"/> BH	<input type="checkbox"/> SH
----------	--------------------------------------	----------------------------	-----------------------------	-----------------------------

\* Refer to Fixtures Price Book for glass options.

#### Product Specification

The double threshold shower base shall be 48" (1219 mm) in length, and 34" (864 mm) in width, with outlet on left (K-9547), or with outlet on right (K-9548). The shower base shall be made of acrylic reinforced with fiberglass. The shower base shall have a molded-in floor pattern. The shower base shall be Kohler Model K-\_\_\_\_\_-\_\_\_\_\_.

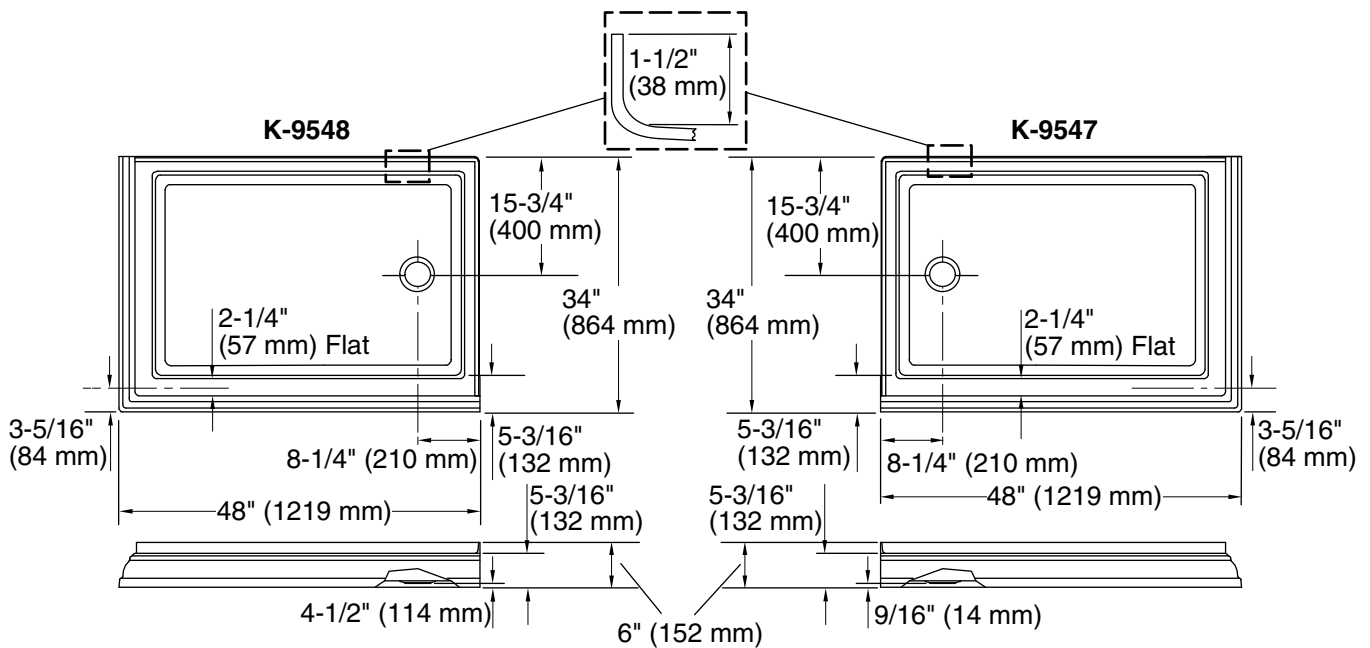
# MEMOIRS®

## Technical Information

Fixture:	
Weight	36 lbs (16.3 kg)
Drain hole	Ø 3-3/8" (86 mm)
Configuration	one-piece

## Installation Notes

Install this product according to the installation guide.



## Product Diagram