



PEAK® Hidden Deck Fastener



Installation Guide

Tools & Materials Required

- Hidden deck fasteners
- Hacksaw or tin snips
- Drill and drill bit
- Hammer
- Measuring tape
- 1½" galvanized nails
- #8×1½" screws for 2" thick decking or #8×1¼" screws for 5/4" thick decking.

Approximate Quantities

Joist Spacing	Decking Width	Materials	Approx. Deck Square Footage L' x W' (Fig. 2)			
			50	75	100	200
16"	-		10	15	20	40
	-		200	300	400	800
	4"		240	360	480	960
	6"		160	240	320	640
24"	-		8	11	15	30
	-		160	220	300	600
	4"		190	270	360	720
	6"		130	180	240	480

No surface nails

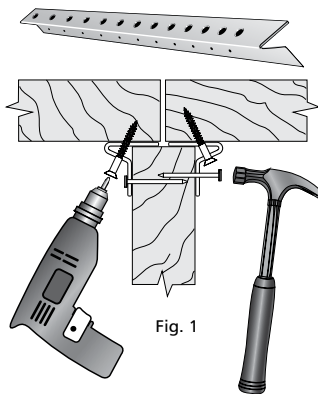


Fig. 1

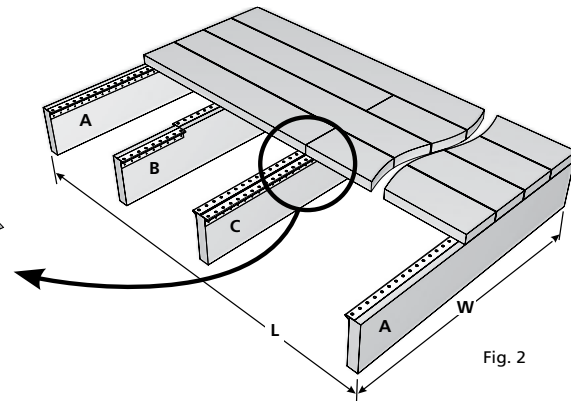


Fig. 2

Installation Nail or screw hidden deck fasteners to the inside edges of outer joists (A), alternate edges of inner joists (B), and both edges of joists where decking is spliced (C), as shown above. Hammer nails in every other hole of the hidden deck fastener. Starting at one end of the joists, attach deck boards with two screws at each joist. (Fig. 1)

⚠ WARNING Before beginning work, engage professionals: (i) to ensure that this product is appropriate for your intended application, that the structural components for which this product is to be used in connection with are sound and that the work areas are safe and free from all potential hazards including utilities and other services; (ii) to provide clarification if these warnings are unclear or if you do not understand any of the information in the installation instructions for this product. Comply with all applicable building codes. Building codes may vary. When using tools always comply with the applicable user manuals and instructions. Everyone in the vicinity of any work area must wear appropriate protective gear including gloves, footwear, eyewear, hardhat and appropriate clothing. **Do not use this product in connection with any substance that is harmful to this product.** Inspect and maintain this product and the structural components that it is used in connection with on a regular basis using professionals when appropriate. Work in a safe manner.

No member of The Peak Group of Companies (as defined at www.peakproducts.com) shall be liable for any loss or damage resulting from the improper installation or use of any of these products. In the unlikely event that any member of The Peak Group of Companies becomes liable for any loss or damage in respect of any or all of these products, the aggregate liability of the Peak Group of Companies shall be limited to the retail purchase price of that or those products. PEAK and the colour green/greyish-green applied to the surface of this product are trademarks. Trademarks are used under license from Peak Innovations Inc. P.O. Box 96060, Richmond BC, Canada, V7A 5J4 © 2012